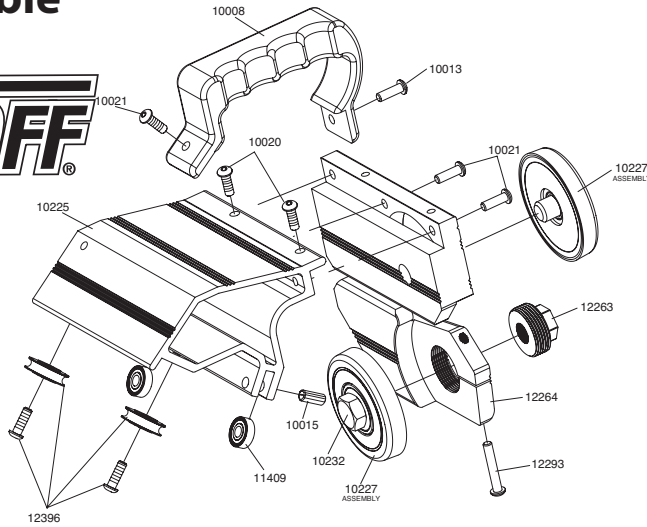


| Item # | Description  |
|--------|--|
| 10368  | Left Side Rail   |
| 10369  | Front Support Bar  |
| 10370  | Right Side Rail  |
| 10372  | Roller Clip  |
| 10373  | Support Bar  |
| 10378  | Plastic Coil Guard   |
| 10515  | 10-24 x 1/2 Phil Pan Hd  |
| 10798  | 10-24 x 5/8 Type F Phil Hd Screw   |
| 10809  | Nylon Spacer   |
| 11417  | Pivot Spring Kit<br>(3) Roller/Pivot Spring<br>(3) 10-24 x 1/2 Phil Pan Hd Screw |
| 11421  | Replacement Roller Cover Kit<br>(3) Roller Covers                                |
| 11518  | Roller Tube (Sub-Assembly)   |

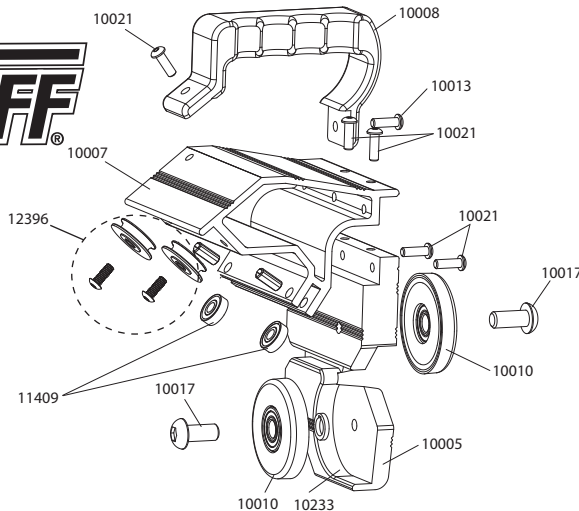
## Adjustable MAX CUT-OFF®



| Item # | Description   |
|--------|---|
| 10008  | Handle  |
| 10225  | Bridge  |
| 11409  | Cut-Off Guide Bearing Kit<br>Guide Bearing<br>5/16" Roll Pin  |
| 12264  | Adjustable MAX Cut-Off Body   |
| 12396  | Flange Track Bearing Kit *<br>(2) Wide Flange Track Bearing<br>(2) Lock Nut 1/4-20<br>(2) 1/4-20 x 5/8" Hex Button Hd Screw |
| 11393  | Track Bearing Kit (not shown)   |
| 10021  | 1/4 -20 x 1" Hex Button Hd Screw  |
| 10020  | 1/4 -20 x 5/8" Hex Button HD Screw  |
| 10013  | 1/4 -20 x 1-1/4" Button Hd Screw  |
| 10227  | MAX Knife Assembly  |
| 11413  | Hinge Clip Kit (not shown)  |
| 10519  | 1/4 -20 x 3/4" Hex Wash Hd Screw (not shown)  |
| 11404  | Material Stop Kit (not shown)<br>(2) Material Stop<br>(2) 1/4-20 Kurled Knob<br>(2) Cut-Off Tape Measure                    |
| 12263  | Adjusting Nut   |
| 12293  | 1/4 -20 x 1 1/2 Socket Head Cap Screws  |

\*This kit replaces the Track Bearing Kit 11393. Both are still available for purchase.  
\*\*Please contact customer service if these parts need to be replaced.

## PRO CUT-OFF®



| Item # | Description   |
|--------|---|
| 10005  | Body  |
| 10007  | Bridge  |
| 10008  | Handle  |
| 10010  | Knife Assembly  |
| 10013  | 1/4 -20 x 1-1/4" Button Hd Screw  |
| 10021  | 1/4 -20 x 1" Hex Button Hd Screw  |
| 10233  | .25 washer/shim   |
| 10349  | Coupling Nut (hook, not shown)  |
| 10519  | 1/4 -20 x 3/4" Hex Wash Hd Screw (not shown)  |
| 11404  | Material Stop Kit (not shown)<br>(2) Material Stop<br>(2) 1/4-20 Kurled Knob<br>(2) Cut-Off Tape Measure                  |
| 11409  | Cut-Off Guide Bearing Kit<br>Guide Bearing<br>5/16" Roll Pin  |
| 12396  | Flange Track Bearing Kit<br>(2) Wide Flange Track Bearing<br>(2) Lock Nut 1/4-20<br>(2) 1/4-20 x 5/8" Hex Button Hd Screw |

\*This kit replaces the Track Bearing Kit 11393. Both are still available for purchase.  
\*\*Please contact customer service if these parts need to be replaced.