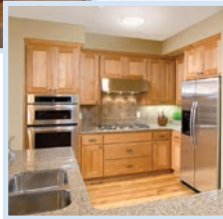




For about the cost of a nice light fixture, we can bring the soft light of the Sun into virtually any space in your home. Installed on any roof surface in under two hours, you will quickly realize the cost benefits of a tubular skylight over incandescent and even traditional skylights. In addition to the free daytime operating cost, Natural Light tubular skylights do not contribute to heat loss or gain, unlike standard framed-in skylights.



Before



After



LIGHT OUTPUT:	10" Model - up to 150 sf / 300 watts 13" Model - up to 300 sf / 500 watts 18" Model - up to 500 sf / 1,000 watts
FLASHING TYPES:	Pitched Roof Mount Flat Roof Mount Curb Mount (13" Model Only)
FLASHING COLORS:	Unpainted Aluminum Powder-Coated Black, Gray, and Bronze
DIFFUSER STYLES:	Prismatic (curved or flat) Soft White (curved or flat)
AVAILABLE ACCESSORIES:	Electric Light Kit Dimmer Kit (10" and 13" Models Only) Exhaust Vent Kit (10" Model Only) Additional Light Pipe Angle Adapter



CURB MOUNT FLASHING

FLAT ROOF FLASHING



PRISMATIC



SOFT WHITE

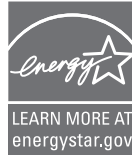


25-YEAR WARRANTY

ICC-ES LISTED • HURRICANE TESTED & APPROVED
FLORIDA BUILDING CODE APPROVED

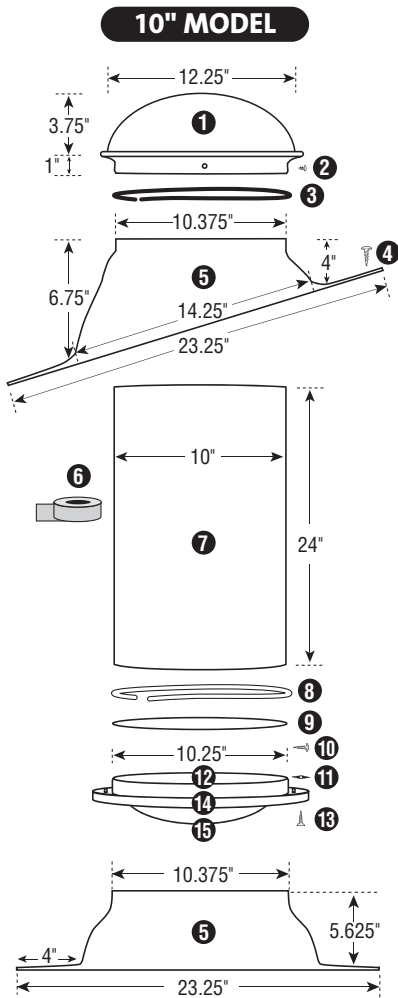
TUBULAR SKYLIGHT COMPONENTS:

1. Clear UV Protected, 100% High Impact Acrylic Dome
2. (4) Philips Head Stainless Steel 1/4" Sheet Metal Screws
3. Black Nylon Horsehair Gasket (Self-Adhesive Backed)
4. (6) Philip Head Stainless Steel 1 1/2" Screws
5. Commercial Pure Grade, 1100 Series Aluminum Flashing
6. Heavy Duty Foil Tape
7. Light Pipe, (2) 24" Sections per Kit
8. White Nylon Horsehair Gasket (Self-adhesive Backed)
9. (3) Polycarbonate Lenses - Energy Conservation Kit
10. (6) Tek Screws
11. (3) Black Speed Nuts
12. Aluminum Ceiling Ring
13. (3) 1 1/2" Phillips Screws
14. White Powder Coated Aluminum Trim Ring
15. Choice of Soft White or Prismatic Diffuser

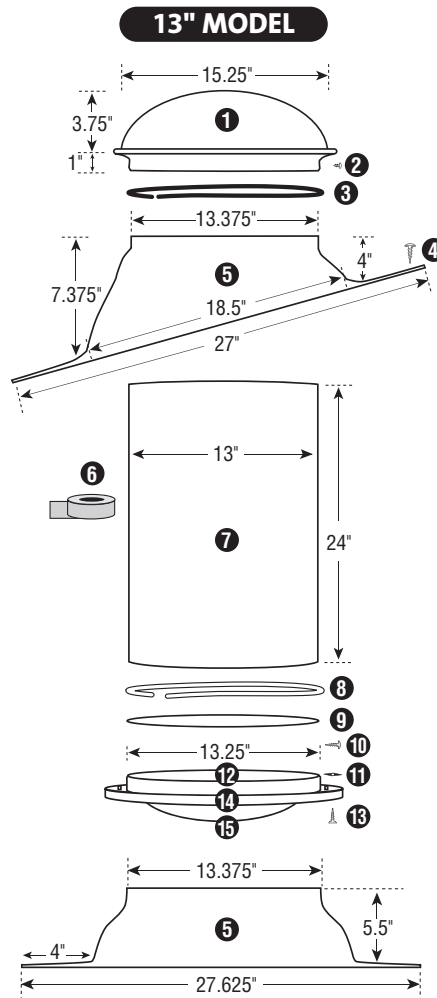


Model	Coverage	Wattage	Max Tube Length
10"	up to 150 sf	up to 150 sf	18 feet
13"	up to 300 sf	up to 300 sf	20 feet
18"	up to 500 sf	up to 1,000 sf	20 feet

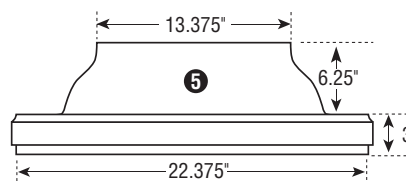
NOTE: 18" model used on homes with 24" on center construction.



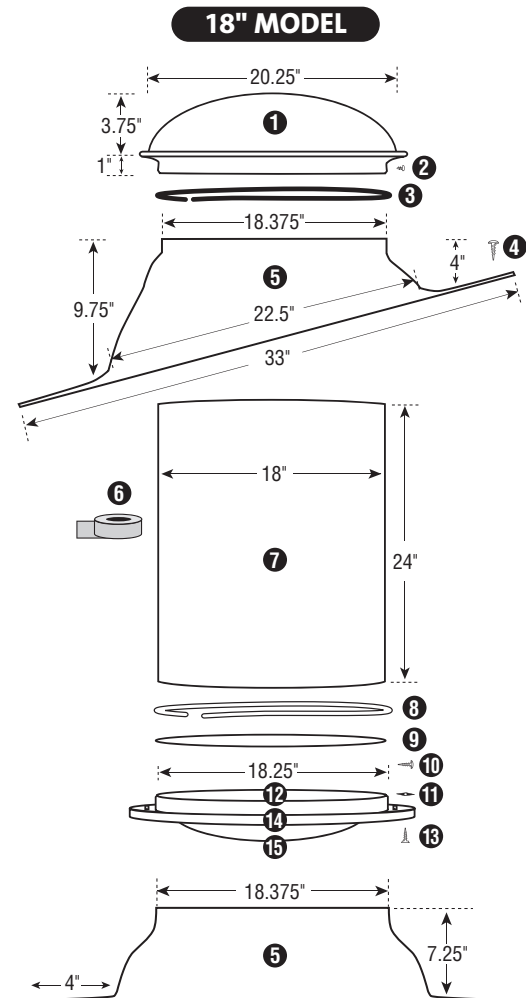
FLAT ROOF FLASHING



FLAT ROOF FLASHING



CURB FLASHING



FLAT ROOF FLASHING



For more info, visit:
www.nltubular.com