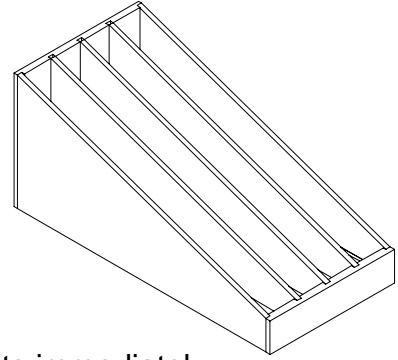




Omega National P R O D U C T S

Tray Roll-Out with Dividers

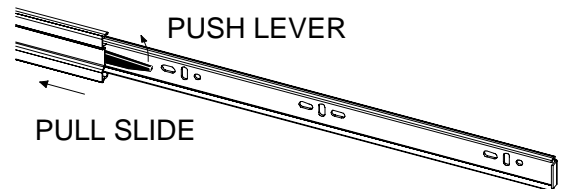
T3194MNL – T3196MNL



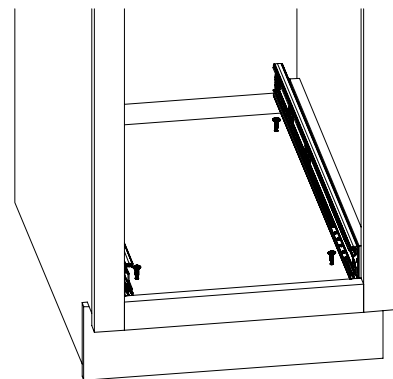
Installation Instructions

- Inspect unit - if damaged, contact Omega National Products immediately
- Review instructions completely before beginning installation
- Minimum opening widths for installation
 - Roll-Out with 1 Divider – for 9" Base Cabinet: 6" wide opening
 - Roll-Out with 2 Dividers – for 12" Base Cabinet: 9" wide opening
 - Roll-Out with 3 Dividers – for 15" Base Cabinet: 12" wide opening
- In most applications cabinet door does not have to be removed for installation

Step 1: Fully extend slides and disengage latches on slides. Remove Tray Roll-Out from support sled.



Step 2: Position sled only in cabinet centered in the opening with front of sled $\frac{3}{4}$ " - 1" back from front edge of door opening. Screw sled in place with four #8 x $\frac{3}{4}$ " trusshead screws.



Step3: Reinstall Tray Roll-Out onto support sled.

