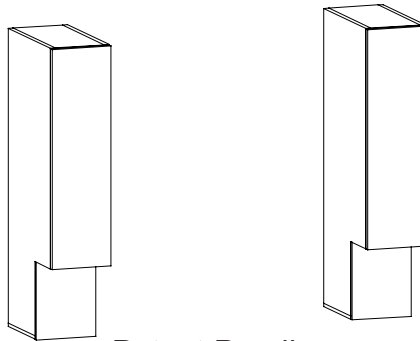




Omega National  
P R O D U C T S

## Signature Series Pillar Cabinets



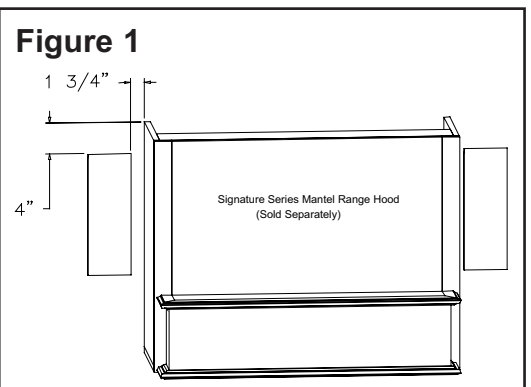
Patent Pending

### Important Notes

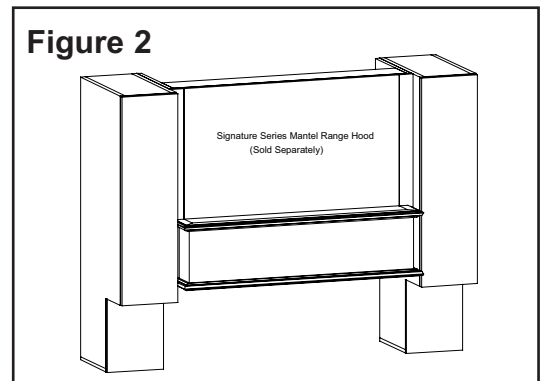
- Always read the instructions completely and carefully before beginning assembly.
- Remove and check contents for damage and/or missing parts. Keep the original cartons and packing materials, which are required for any authorized adjustment by our dealers.
- These instructions are for reference only. Make sure installation procedures comply with all applicable building codes in your area.

## Assembly Instructions

**Step 1:** Securely fasten 1 Mounting Plate on each side of the Signature Series Mantel Range Hood (Sold Separately) 1 3/4" from the side and 4" from the top with 45° angle at the top. (See figure 1).



**Step 2:** Hang the Pillar Cabinets on the mounting plates and securely fasten Pillars to the Signature Series Mantel Range Hood (Sold Separately).



Omega National

P R O D U C T S

1010 Rowe St. Elkhart, IN 46516

(574) 295-5353 Fax (800) 367-3329

www.omeganationalproducts.com

Form OME-061, 12/2006  
©Omega National Products