

Installation Instructions

BE PREPARED: You will need a fine tooth saw, hammer, ruler, plane, level, carpenter's combination square, miter box, 1" finishing nails, nail set and panel adhesive. For a professional looking finish, use a good quality finish. Finish prior to installation for best results.

CONDITION & FINISH YOUR PLANKS: In order to minimize the expansion and contraction of your planks you must take the following steps prior to installation: Open all packages and place the boards flat with spacers in between the planks to allow air to circulate around each board. Allow 72 hours for the boards to adjust to the humidity and temperature of the room in which they are being installed. Do not attempt to acclimate your boards in a damp unheated area which would not be representative of the true year round temperature of the room. Finish/seal the front, back and all four edges of each plank prior to installation. Application without the above procedure may result in undesirable contraction or expansion at the joints. Important: In rooms that are below grade, apply a vapor barrier between the studs and the planking. In rooms that have unusually high moisture conditions such as saunas, bathrooms or laundry rooms, acclimation and finish sealing must be applied. Expansion and contraction are inherent characteristics of all wood products due to changes in humidity within the room. The manufacturer cannot be held liable for any movement in the planks.

WALL PREPARATION: If your walls are in good condition you may glue and/or nail GPS products directly onto drywall, plywood or existing paneling. On uneven, cracked or very rough walls, planking should be nailed and/or glued to a framework of 2 x 4, 1 x 3, or 1 x 4 furring strips of any wood specie that has been kiln dried. For vertical installation, furring strips should be installed horizontally. Start at the top and apply furring either 16" or 24" on center. For diagonal and horizontal installations start in a corner and install furring vertically 16" on center.

GENERAL: Angle all nails for greater holding power. Hammer nails to within 1/8" of face, then finish with a nail set. If gluing, use a quality panel adhesive and follow the manufacturer's instructions. From time to time, check for plumb and, if necessary, slightly angle tongue to groove fitting to make it square. Do not butt up panels too tightly. Allow for normal expansion and contraction.

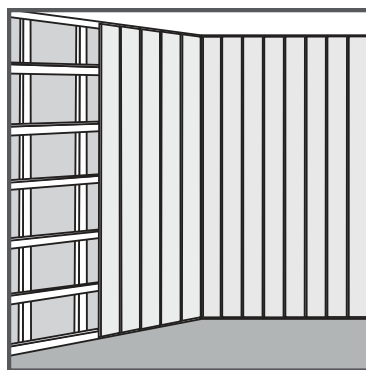
CHECK FOR PLUMB: The first plank is the key to a successful and easy installation. Using a level, make sure the first plank is absolutely straight. Where necessary, scribe and then plane the long edge to assure a plumb fit.

VERTICAL APPLICATION: Leave 1/4" space at the corner, top and bottom and begin at an inside corner and work left to right if you are right handed and right to left if you are left handed. Keep the groove edge toward the starting corner and the tongue edges toward your work direction. Face nail the first plank, even if you plan to glue the other boards. Nailing the planks every 16" will insure adhesive contact to the boards. Measure and fit the next boards carefully. The last board may have to be trimmed to fit into a corner. Angle trim the board's corner edge slightly with a block plane. Install with the wide portion of the board away from the wall.

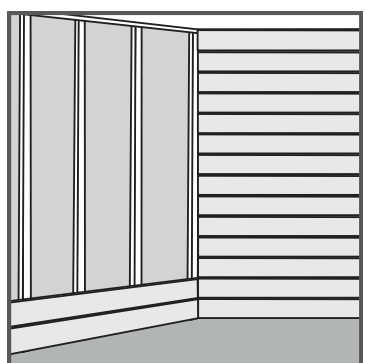
HORIZONTAL APPLICATION: Install the first board with the groove down. Use a carpenter's level to make sure the board is level. If wall is longer than 8', keep the board ends staggered. Leave 1/4" between the ceiling and the plank.

DIAGONAL APPLICATION: Start the planking at an inside floor corner location. Cut and fit a triangular shaped piece at a 45° angle to the corner keeping the groove edge toward the starting corner and the tongue edge toward the work direction. Nail the triangular piece into the corner. Proceed by marking, cutting and installing the remainder of the boards.

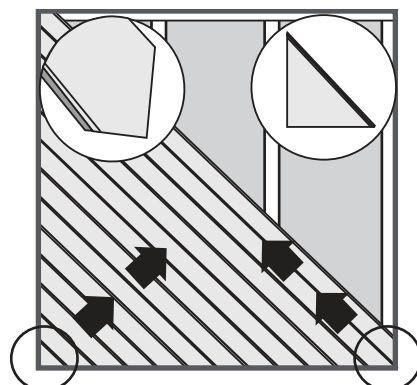
CEILING APPLICATION: Install the same as vertical application. However, the planking must be nailed and glued to a solid surface.



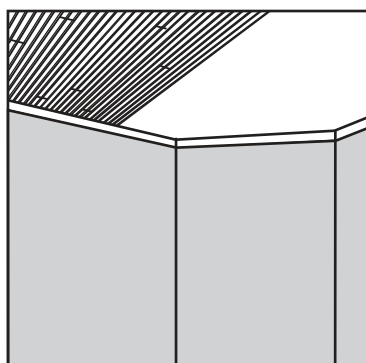
Vertical Application



Horizontal Application



Diagonal Application



Ceiling Application