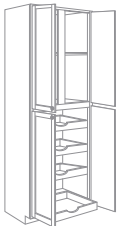
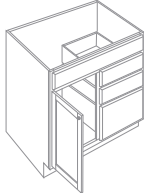
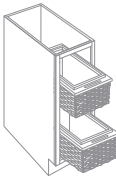


# Echelon<sup>®</sup>

CABINETRY



DEALER

## Cabinet Specifications | Spring 2016





## CABINET SPECIFICATIONS 2016

<b>DOOR STYLE OPTIONS</b>		<b>1-21</b>	
Door Style Offerings	1	Maple Door Styles	8-15
Echelon Cabinetry by Wood Species	2	Birch Door Styles	16-19
Echelon Cabinetry by Collections	3	Oak Door Styles	20
Cherry Door Styles	4-5	Thermofoil Door Styles	21
Rustic Alder Door Styles	6-7		
<b>CONSTRUCTION OPTIONS</b>		<b>22-31</b>	
Premier Series	22	Decimal to Fraction Chart	26
AllWood Series	23	Guide to Nomenclature	27
Pinnacle Series	24	Modification Code Key	28-31
Construction Upgrades	25-26		
<b>WALL CABINETS</b>		<b>32-63</b>	
Single Door Wall Cabinets	32	Wall Decorative Ends	42
Butt Door Wall Cabinets	33	Glass Door Selector	43
Double Door Wall Cabinets	34-35	Mullion Doors	44-46
Triple Door Wall Cabinets	35	Doors Cut for Glass	47-51
Blind Wall Cabinets	36	Vetro Aluminum Doors	52
Peninsula Wall Cabinets	37	Wall Cabinet Accessories	53-60
Corner Wall Cabinets	38-39	Blind Wall Cabinet Instructions	61
Open Wall Cabinets	39	Wall Cabinet Front Frame Instructions	
Refrigerator Wall Cabinets	40	and Door Calculator	62
Microwave Cabinets	41	Wall Cabinet Front Frames	63
<b>BASE CABINETS</b>		<b>64-102</b>	
Base Cabinets	64-65	Specialty Base Cabinets	83-85
Base Cabinets with Shelf Trays	66-67	Sink Cabinets	86-88
Base Cabinets with Deluxe Shelf Trays	67-68	Sink Cabinets with Accessories Installed	89-93
Base Cabinets with Accessories Installed	69-73	Sink Fronts and Floors	94-95
Drawer Base Cabinets	74	Base Cabinet Accessories	96-98
Drawer Bases with Accessories Installed	75-77	Blind Base Cabinet Instructions	99
Corner Base Cabinets	78-80	Base Cabinet Front Frame Instructions	
Blind Base Cabinets	81	and Door Calculator	100
Peninsula Base Cabinets	82	Base Cabinet Front Frames	101-102
<b>TALL CABINETS</b>		<b>103-116</b>	
Utility Cabinets	103-105	Oven Cut-Out Instructions	114
Swing-Out Shelf Kits and Shelves	106-107	Tall Cabinet Front Frame Instructions	
Utility Fronts	108-109	and Door Calculator	115
Pantry Cabinets	110-111	Tall Cabinet Front Frames	116
Oven Cabinets	112-113		

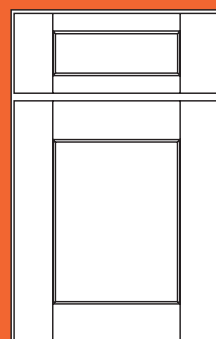
<b>VANITY CABINETS</b> .....	<b>117-130</b>
Vanity Sink Base Cabinets .....	117-119
Vanity Drawer Base Cabinets .....	120-121
Vanity Drawer and Sink Base Cabinets .....	122-125
Vanity Sink Fronts and Wall Cabinets .....	126
Vanity Drawers and Panels .....	127
Vanity Linen Cabinet Options .....	127
Vanity Cabinet Front Frame Instructions and Door Calculator .....	128
Vanity Cabinet Front Frames .....	129-130
<b>UNIVERSAL ACCESS CABINETS</b> .....	<b>131-142</b>
Universal Access Cabinets .....	131-134
Shelf Kits .....	135
Universal Access Utility Cabinets .....	136
Universal Access Pantry Cabinets .....	136
Universal Access Oven Cabinets .....	136
Universal Access Adaptable Cabinets .....	137-139
Universal Access and Access Adaptable Front Frame Instructions and Door Calculator .....	140
Universal Access and Access Adaptable Front Frames .....	141-142
<b>OFFICE CABINETS</b> .....	<b>143-148</b>
Bookcases and Shelves .....	143
Wall Cabinet Organizers .....	144
Desk Cabinets .....	145-146
Office Cabinet Front Frame Instructions and Door Calculator .....	147
Office Cabinet Front Frames .....	148
<b>MOLDINGS AND PANELS</b> .....	<b>149-195</b>
Filler and Filler Overlays .....	149-155
Fluted Fillers .....	156
Columns .....	157
Corbels, Counter Supports, and Onlays .....	158-161
Appliques and Blocks .....	162
Posts .....	163
Base Cabinet Legs .....	164-165
Panels and End Skins .....	166-171
Valances .....	172-173
Insert Moldings .....	174-176
Accent Moldings .....	177
Base Moldings .....	178
Casement Moldings .....	179
Crown Moldings .....	180-182
Light Rail Moldings .....	183-184
Decorative Moldings .....	185-189
Shoe Moldings .....	190
Toe Kick Moldings .....	191
Combination Moldings .....	192-195
<b>DECORATIVE ACCENTS, SAMPLES, AND PARTS</b> .....	<b>196-205</b>
Decorative Glass Inserts .....	196-198
Decorative Glass Shelves .....	199
Samples .....	199-200
Touch-Up Materials .....	201
Parts Directory .....	202-205
<b>HARDWARE</b> .....	<b>206-213</b>
<b>INDEX</b> .....	<b>214-222</b>
<b>CABINETRY CARE</b> .....	<b>223</b>
<b>PAINTED FINISH AND HUMIDIFICATION DISCLAIMERS</b> .....	<b>224-226</b>
<b>WARRANTY AND TERMS AND CONDITIONS</b> .....	<b>227-230</b>
<b>NOTES</b> .....	<b>231-232</b>
<b>DOOR STYLE CONVERTER</b> .....	<b>233</b>
<b>ECHELON CABINETRY PRODUCT DISCLOSURE FORM</b> .....	<b>last page</b>

**NOTICE:** The product specifications appearing herein supersede and cancel all previous sheets, supplements, and addenda, and represent current manufacturing standards and procedures.

Echelon Cabinetry reserves the right to make specification changes for continued product improvement.

For aesthetic considerations the furniture and cabinet industries have made veneer on composite panel substrate the standard method of construction for raised panel-in-frame doors in some wood species. Within the Echelon Cabinetry product line, those species include oak, birch, and maple.

# DOOR STYLE OPTIONS



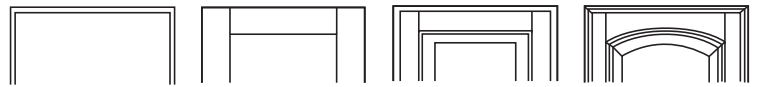
Echelon Cabinetry is available in **two door overlays**, Full Overlay and Standard Reveal. **Full Overlay** doors have little or no visible frame. **Standard Reveal** styles have 1" of visible frame when the door or drawer is closed.

We offer **four door profile options**. **Slab** and **Flat Panel-in-Frame** designed doors tend to be more contemporary. **Raised Panel** and **Arch** doors usually create a more traditional look. However, with the right décor accents, you can direct the cabinets in any style direction.



Full Overlay

Standard Reveal



Slab

Flat Panel-in-Frame

Raised Panel-in-Frame

Eyebrow Arch

Our cabinets come in **six** different **wood species**. Choose from **cherry, rustic alder, maple, birch, oak** and **thermofoil** door offerings to create the perfect look for any room in your home.

**Cherry** — An American classic, cherry has been the choice of fine furniture makers for centuries. Cherry is a multi-colored hardwood which may contain small knots and pin holes. A natural characteristic of cherry wood is to darken with age and exposure to light. These variations are considered part of the inherent beauty prized by quality furniture makers.

**Rustic Alder** — Naturally sophisticated, rustic alder allows one to truly enjoy the raw and natural beauty of wood. Rustic alder is characterized by its light brown and reddish undertones and may contain a variety of pin holes, knots, small cracks, bird pecks, mineral streaks, and grain variation. These natural characteristics are part of the sophistication and harmony of rustic alder, and prized by many.

**Maple** — A distinctive visual display of contrasting grains and subtle patterns, maple has been in style since Colonial times. Maple is a strong close grain hardwood that is predominantly off-white in color, although it also contains light hues of yellow-brown and pink. Occasionally, maple contains light tan or small dark mineral streaks. The fine, uniform texture of maple lends itself to both contemporary and traditional décors.

**Birch** — Elegantly beautiful and remarkably affordable, our birch cabinets are a testament to old world craftsmanship and real world requirements. Birch exhibits a straight-grained hardwood that is predominantly off-white in color, although it also contains light hues of yellowish brown. Birch also occasionally contains light tan mineral streaks. These variations are considered part of the inherent beauty of the product.

**Oak** — Oak, with its inherent strength, durability and natural beauty, has been prized for years by designers and furniture makers alike. A mostly straight-grained hardwood with a medium to coarse texture that has a range in color of white, yellow and pink, oak is sometimes streaked with green, yellow and black mineral deposits. These variations are considered part of the inherent beauty and traditional elegance of the product.

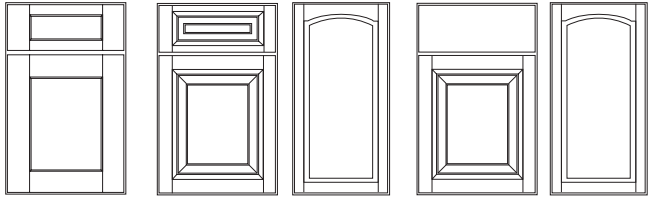
**Thermofoil** — Artistic elements converge in Echelon's thermofoil cabinets. Rigid vinyl thermofoil is heat and pressure bonded to the face and edges of these sculpted doors while the back of the doors are covered with low-pressure white melamine. This creates a velvety smooth, clean look of solid white cabinets that provide the perfect background to display your colorful kitchen collectibles.

**NOTICE:** For aesthetic considerations the furniture and cabinet industries have made veneer on composite panel substrate a standard method of construction for raised panel-in-frame doors in some wood species. Within the Echelon Cabinetry product line those species include oak, birch, and maple.

# ECHELON CABINETS BY WOOD SPECIES

## CHERRY

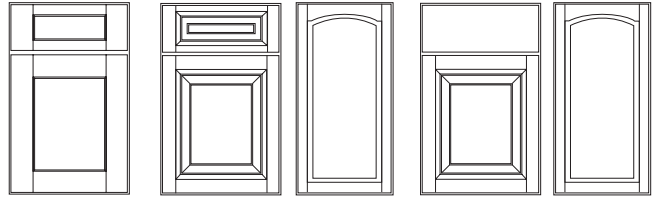
### FULL OVERLAY



Ardmore pg 4    Langdon 5-PC and Arch 5-PC pg 4    Langdon Slab and Arch Slab pg 4

## RUSTIC ALDER

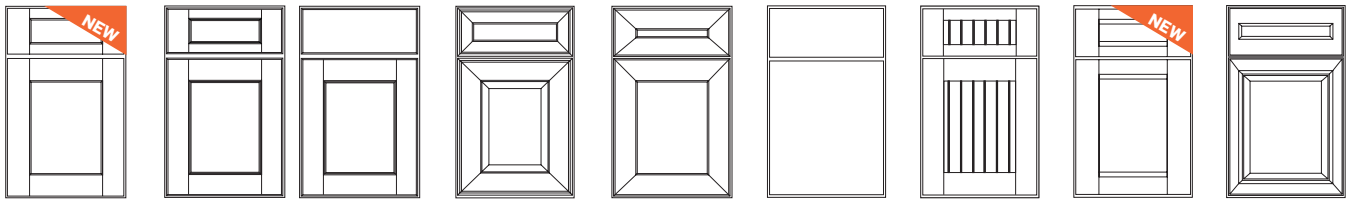
### FULL OVERLAY



Ardmore pg 6    Langdon 5-PC and Arch 5-PC pg 6    Langdon Slab and Arch Slab pg 6

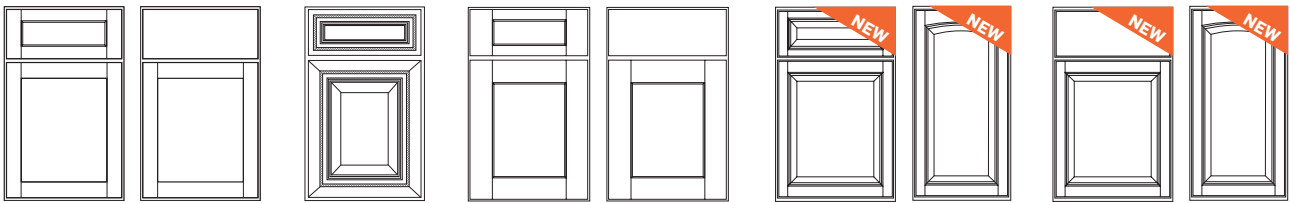
## MAPLE

### FULL OVERLAY



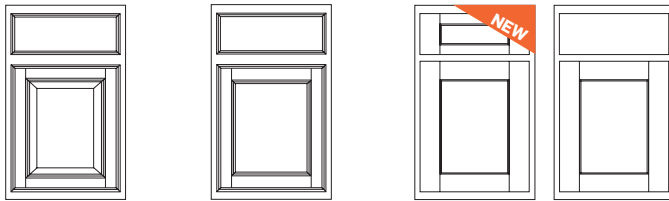
Ardmore pg 8    Addison 5-PC and Slab pg 8    Bedford pg 8    Belleview pg 9    Carlisle pg 9    Edinburgh pg 10    Freeman pg 10    Lisburn pg 10

### FULL OVERLAY continued



Rossiter 5-PC and Slab pg 11    Southampton pg 12    Trevino 5-PC and Slab pg 12    Weston 5-PC and Arch 5-PC pg 13    Weston Slab and Arch Slab pg 13

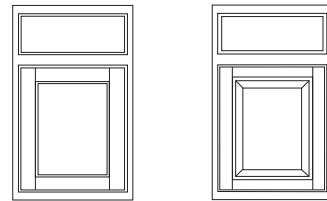
### STANDARD REVEAL



Brisbin pg 9    Cheswick pg 9    Norwich 5-PC and Slab pg 11

## OAK

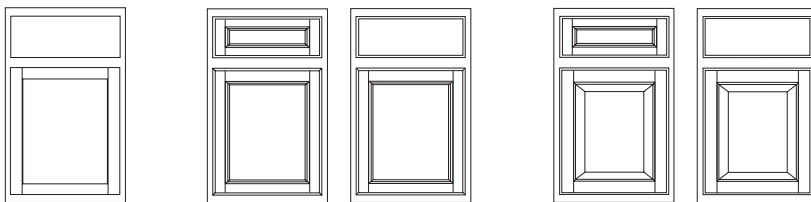
### STANDARD REVEAL



Benton pg 20    Herndon pg 20

## BIRCH

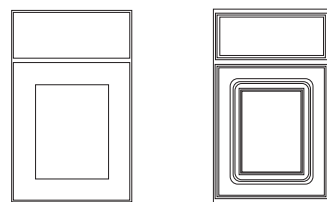
### STANDARD REVEAL



Hargrove pg 16    Salerno 5-PC and Slab pgs 16    Touraine 5-PC and Slab pg 17

## THERMOFOIL

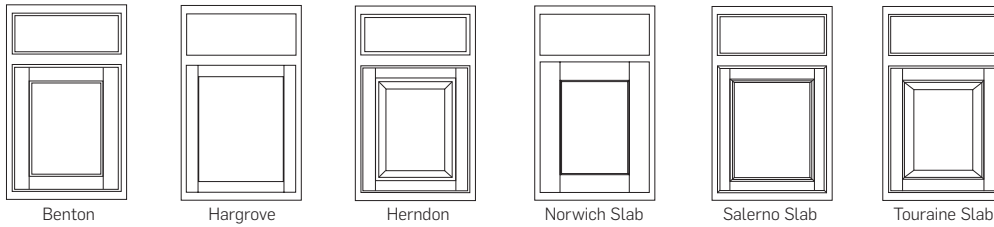
### FULL OVERLAY



Marianna pg 21    Sutton pg 21

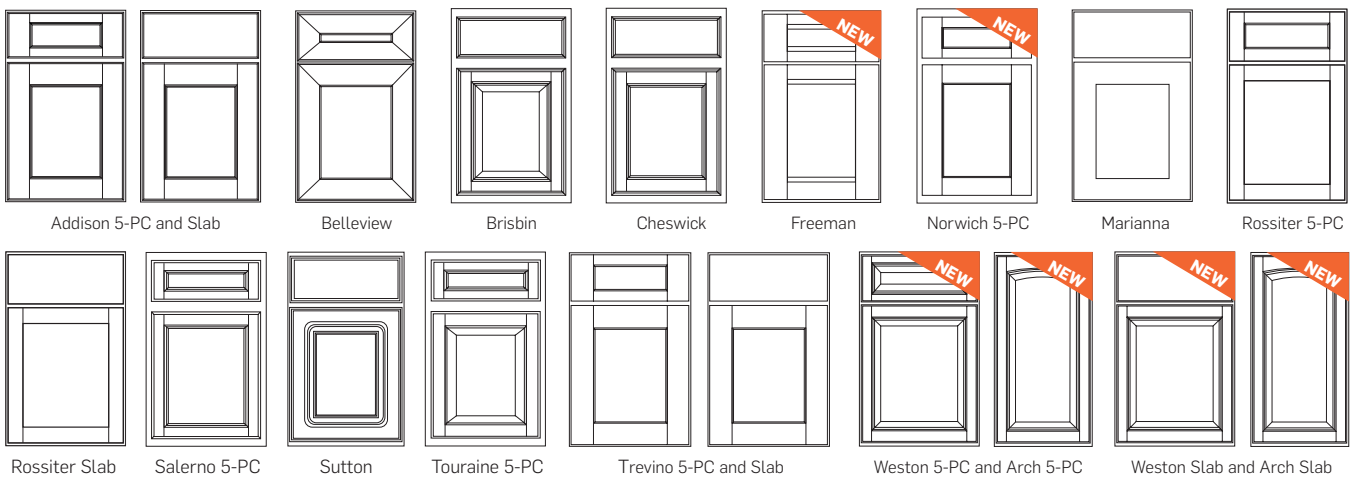
## ECHELON ASCENT

**Create a space for everyday moments.** Echelon Ascent provides high-quality cabinetry with on-trend styles to create a kitchen space crafted to perfection.



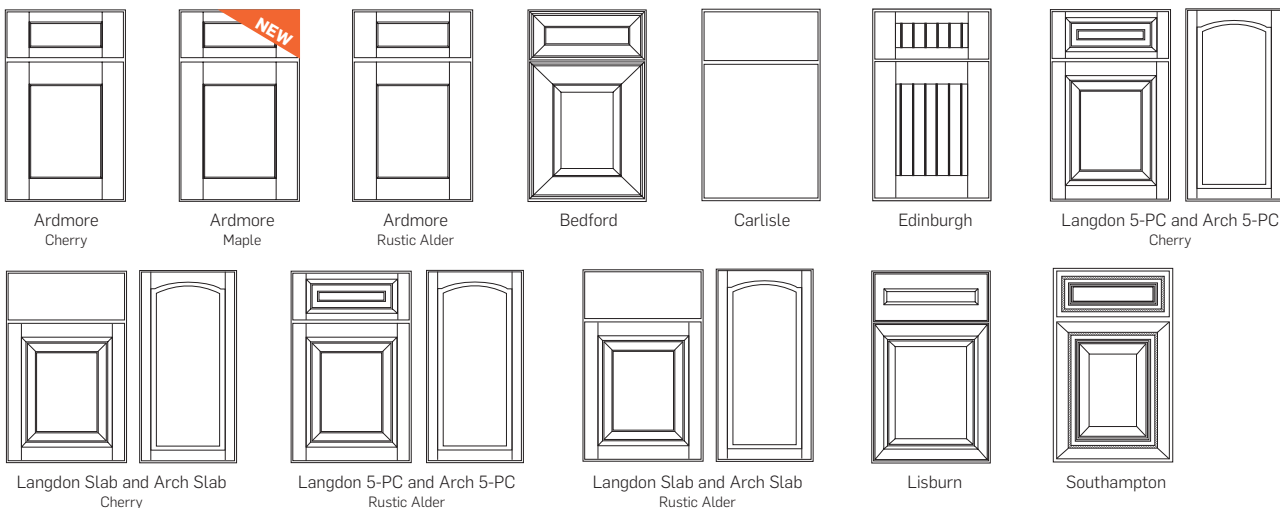
## ECHELON PRESTIGE

**Elevate your kitchen experience** with Echelon Prestige: premium finishes, elegant styles and customizable organizational accessories that truly reflect your personality and lifestyle.



## ECHELON SUMMIT

**Experience inspiration every day** with Echelon Summit, which combines solid-wood doors, expansive styles and premium finishes to create the dream kitchen for your home.



For more information on how environmental changes can affect your cabinetry, please refer to our Humidification Disclaimer on pages 225-226.



## FINISH AVAILABILITY

### STAINS

Double Espresso  
Espresso  
Autumn Brown  
Nutmeg  
Bordeaux  
Storm  
Mocha  
Cinnamon  
Crystal

### STAINS W/GLAZE

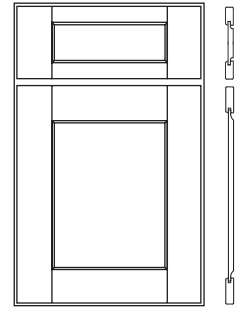
Nutmeg Ebony Glaze  
Bordeaux Ebony Glaze  
Storm Ebony Glaze  
Mocha Ebony Glaze  
Cinnamon Ebony Glaze  
Crystal Ebony Glaze

SUMMIT COLLECTION



### ARDMORE — 212ARD

- 3/4" thick solid cherry door frames and drawer fronts
- Genuine solid cherry hardwood recessed, Shaker style flat panel-in-frame
- Assembled with five piece mortise and tenon joinery
- Available in square design for all cabinets; offered with 5-piece drawer fronts
- Full overlay doors and drawer fronts
- Decorative hardware required



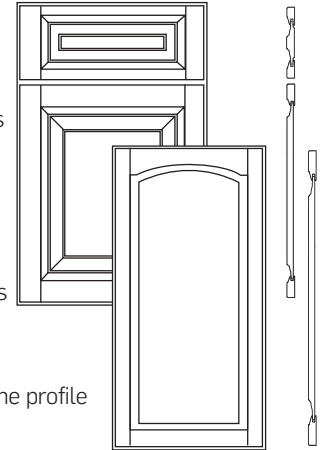
Available in the following construction series: Premier™, AllWood™, and Pinnacle™



### LANGDON 5-PC — 211LDF

### LANGDON ARCH 5-PC — 213LFA

- 3/4" thick solid cherry door frames and drawer fronts
- Double step solid cherry raised panel-in-frame center panel
- Assembled with five piece mortise and tenon joinery
- Available in square design for all cabinets; available in eyebrow arch design for wall cabinets only; offered with 5-piece drawer fronts
- Full overlay doors and drawer fronts
- Double step solid raised center panel and inner frame profile that enhance the attributes of glaze finish
- Decorative hardware is required



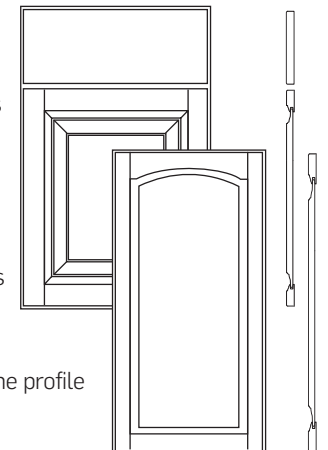
Available in the following construction series: Premier™, AllWood™, and Pinnacle™



### LANGDON SLAB — 254LDS

### LANGDON ARCH SLAB — 253LDA

- 3/4" thick solid cherry door frames and drawer fronts
- Double step solid cherry raised panel-in-frame center panel
- Assembled with five piece mortise and tenon joinery
- Available in square design for all cabinets; available in eyebrow arch design for wall cabinets only; offered with slab drawer fronts
- Full overlay doors and drawer fronts
- Double step solid raised center panel and inner frame profile that enhance the attributes of glaze finish
- Decorative hardware is required



Available in the following construction series: Premier™, AllWood™, and Pinnacle™

STAINS									STAINS w/ GLAZE FINISHES							
Double Espresso	Espresso	Autumn Brown	Nutmeg	Bordeaux	Storm	Mocha	Cinnamon	Crystal	Nutmeg Ebony Glaze	Bordeaux Ebony Glaze	Storm Ebony Glaze	Mocha Ebony Glaze	Cinnamon Ebony Glaze	Crystal Ebony Glaze		
●	●	●	●	●	●	●	●	●	●	●	●	●	●	●	Ardmore	SUMMIT COLLECTION
●	●	●	●	●	●	●	●	●	●	●	●	●	●	●	Langdon 5-PC Langdon Arch 5-PC	
●	●	●	●	●	●	●	●	●	●	●	●	●	●	●	Langdon Slab Langdon Arch Slab	

CHERRY DOOR STYLES

## FINISH AVAILABILITY

### STAINS

Double Espresso  
Espresso  
Autumn Brown  
Nutmeg  
Bordeaux  
Storm  
Mocha  
Cinnamon  
Crystal

### STAINS W/GLAZE

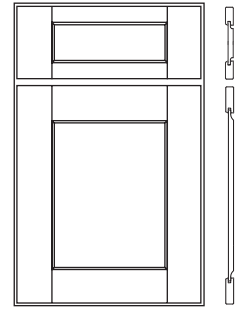
Nutmeg Ebony Glaze  
Bordeaux Ebony Glaze  
Storm Ebony Glaze  
Mocha Ebony Glaze  
Cinnamon Ebony Glaze  
Crystal Ebony Glaze

SUMMIT COLLECTION



### ARDMORE — 112ARD

- 3/4" thick solid rustic alder frames and drawer fronts
- Genuine solid alder hardwood recessed, Shaker style flat panel-in-frame
- Assembled with five piece mortise and tenon joinery
- Available in square design for all cabinets; offered with 5-piece drawer fronts
- Full overlay doors and drawer fronts
- Decorative hardware required



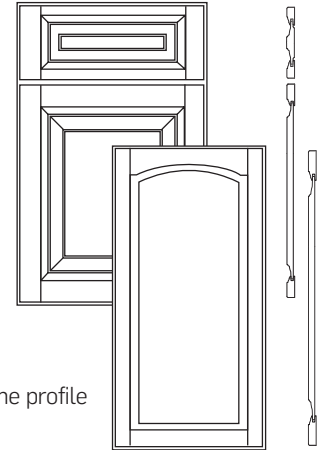
Available in the following construction series: Premier™, AllWood™, and Pinnacle™



### LANGDON 5-PC — 111LDF

### LANGDON ARCH 5-PC — 113LFA

- 3/4" thick solid alder door frames and drawer fronts
- Double step solid alder raised panel-in-frame center panel
- Assembled with five piece mortise and tenon joinery
- Available in square design for all cabinets; available in eyebrow arch design for wall cabinets only; offered with 5-piece drawer fronts
- Full overlay doors and drawer fronts
- Double step solid raised center panel and inner frame profile that enhance the attributes of glaze finish
- Decorative hardware is required



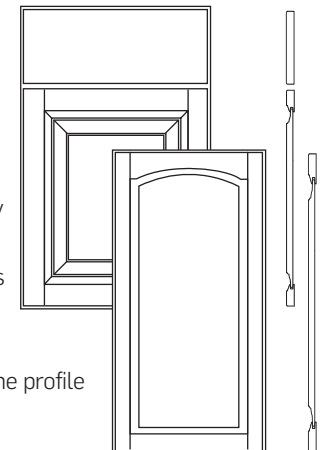
Available in the following construction series: Premier™, AllWood™, and Pinnacle™



### LANGDON SLAB — 154LDS

### LANGDON ARCH SLAB — 153LDA

- 3/4" thick solid alder door frames and drawer fronts
- Double step solid alder raised panel-in-frame center panel
- Assembled with five piece mortise and tenon joinery
- Available in square design for all cabinets; available in eyebrow arch design for wall cabinets only; offered with slab drawer fronts
- Full overlay doors and drawer fronts
- Double step solid raised center panel and inner frame profile that enhance the attributes of glaze finish
- Decorative hardware is required



Available in the following construction series: Premier™, AllWood™, and Pinnacle™

STAINS									STAINS w/ GLAZE FINISHES							
Double Espresso	Espresso	Autumn Brown	Nutmeg	Bordeaux	Storm	Mocha	Cinnamon	Crystal	Nutmeg Ebony Glaze	Bordeaux Ebony Glaze	Storm Ebony Glaze	Mocha Ebony Glaze	Cinnamon Ebony Glaze	Crystal Ebony Glaze		
●	●	●	●	●	●	●	●	●	●	●	●	●	●	●	Ardmore	SUMMIT COLLECTION
●	●	●	●	●	●	●	●	●	●	●	●	●	●	●	Langdon 5-PC Langdon Arch 5-PC	
●	●	●	●	●	●	●	●	●	●	●	●	●	●	●	Langdon Slab Langdon Arch Slab	

RUSTIC ALDER DOOR STYLES

## FINISH AVAILABILITY

### STAINS

Double Espresso  
Truffle  
Espresso  
Autumn Brown  
Nutmeg  
Bordeaux  
Storm  
Mocha  
Café  
Toffee  
Crystal

### STAINS W/GLAZE

Nutmeg Ebony Glaze  
Bordeaux Ebony Glaze  
Storm Ebony Glaze  
Mocha Ebony Glaze  
Café Ebony Glaze  
Toffee Ebony Glaze  
Toffee Taupe Glaze  
Crystal Taupe Glaze

### ENAMEL PAINTS

Onyx  
Slate  
River Rock  
Vanilla Cream  
Latte  
Linen  
Alpine White

### ENAMEL PAINTS W/GLAZE

Onyx Pewter Glaze  
Onyx Taupe Glaze  
Onyx Frost Glaze  
Slate Ebony Glaze  
Slate Taupe Glaze  
Slate Frost Glaze  
River Rock Ebony Glaze  
River Rock Pewter Glaze  
River Rock Taupe Glaze  
Vanilla Cream Ebony Glaze  
Vanilla Cream Pewter Glaze  
Vanilla Cream Taupe Glaze  
Vanilla Cream Frost Glaze  
Latte Ebony Glaze  
Latte Pewter Glaze  
Latte Taupe Glaze  
Linen Ebony Glaze  
Linen Pewter Glaze  
Linen Taupe Glaze  
Linen Frost Glaze  
Alpine White Ebony Glaze  
Alpine White Pewter Glaze  
Alpine White Taupe Glaze

**See individual door styles for finish restrictions.**

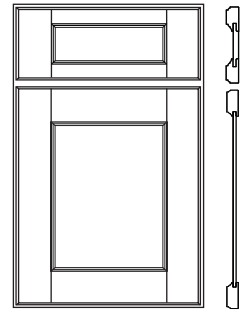
PRESTIGE COLLECTION



### ADDISON 5-PC — 372ADF

- 3/4" thick solid maple door frames and drawer fronts
- Genuine maple wood veneer recessed center panel
- Assembled with five piece mortise and tenon joinery
- Available in square design for all cabinets; offered in 5-piece drawer fronts
- Full overlay doors and drawer fronts
- Double step straight edge outside profile
- Decorative hardware is required
- Enamel painted Addison 5-PC door style may have an MDF recessed center panel

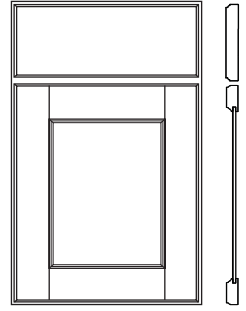
Available in the following construction series: Premier™, AllWood™, and Pinnacle™



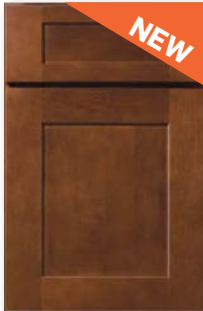
### ADDISON SLAB — 370ADS

- 3/4" thick solid maple door frames and drawer fronts
- Genuine maple wood veneer recessed center panel
- Assembled with five piece mortise and tenon joinery
- Available in square design for all cabinets; offered in slab drawer fronts
- Full overlay doors and drawer fronts
- Double step straight edge outside profile
- Decorative hardware is required
- Enamel painted Addison Slab door style may have an MDF recessed center panel

Available in the following construction series: Premier™, AllWood™, and Pinnacle™



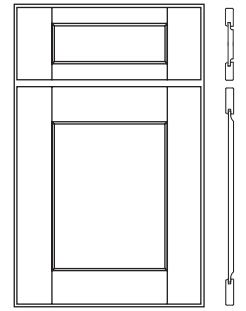
SUMMIT COLLECTION



### ARDMORE — 312AMM

- 3/4" thick solid maple frames and drawer fronts
- Genuine solid maple hardwood recessed, Shaker style flat panel-in-frame
- Assembled with five piece mortise and tenon joinery
- Available in square design for all cabinets; offered with 5-piece drawer fronts
- Full overlay doors and drawer fronts
- Decorative hardware required

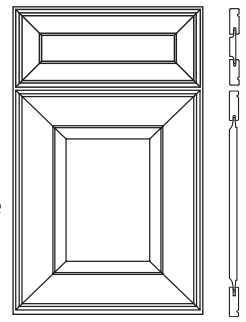
Available in the following construction series: Premier™, AllWood™, and Pinnacle™



### BEDFORD — 364BED

- 3/4" thick solid maple door frames and drawer fronts
- Genuine solid maple wood raised center panel
- Five piece miter construction with mortise and tenon joinery
- Available in square design for all cabinets; with 5-piece drawer fronts
- Full overlay doors and drawer fronts
- Slight radius on outside edge profile
- Decorative hardware is required
- Door available with extended lead time

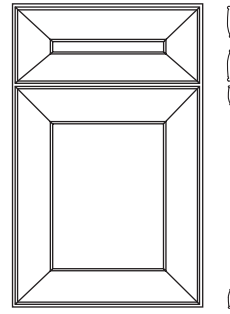
Available in the following construction series: Premier™, AllWood™, and Pinnacle™





**BELLEVUE — 363BEL**

- 3/4" thick solid maple door frames and drawer fronts
- Genuine maple wood veneer recessed flat center panel
- Five piece miter construction with mortise and tenon joinery
- Available in square design for all cabinets; with 5-piece drawer fronts
- Full overlay doors and drawer fronts
- Single bead straight edge outside profile
- Decorative hardware is required
- Door available with extended lead time
- Enamel painted Bellevue door style may have an MDF recessed flat center panel

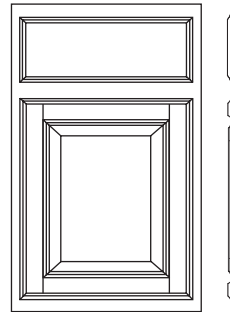


Available in the following construction series: Premier™, AllWood™, and Pinnacle™



**BRISBIN — 343BRI**

- 3/4" thick solid maple door frames and drawer fronts
- Genuine maple wood veneer raised center panel
- Assembled with five piece mortise and tenon joinery
- Available in square design for all cabinets; offered with slab drawer fronts
- Standard reveal doors and drawer fronts
- Double waterfall inner and outer door frame profile
- Decorative hardware available but not required
- Enamel painted Brisbin door style may have an MDF raised center panel

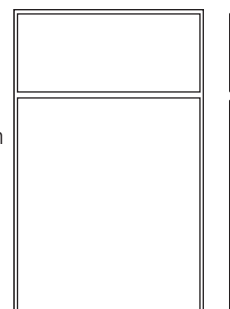


Available in the following construction series: Premier™ and AllWood™



**CARLISLE — 365CRL**

- 3/4" thick solid maple door frames and drawer fronts
- Solid maple slab design
- Available in square design for all cabinets; offered with slab drawer fronts
- Full overlay doors and drawer fronts
- Eased outer edge profile on doors and drawers
- Decorative hardware is required
- This door does not support the horizontal installation of cabinet pulls
- **Carlisle is not available in Crystal or glaze finish offerings**

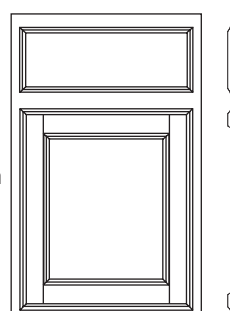


Available in the following construction series: Premier™, AllWood™, and Pinnacle™



**CHESWICK — 341CHE**

- 3/4" thick solid maple door frames and drawer fronts
- Genuine maple wood veneer plywood center flat panel
- Assembled with five piece mortise and tenon joinery
- Available in square design for all cabinets; offered with slab drawer fronts
- Standard reveal doors and drawer fronts
- Double step waterfall profiling on the inner and outer edges of doors and drawer fronts
- Decorative hardware available but not required
- Enamel painted Cheswick door style may have an MDF flat center panel



Available in the following construction series: Premier™ and AllWood™

**FINISH AVAILABILITY**

**STAINS**

- Double Espresso
- Truffle
- Espresso
- Autumn Brown
- Nutmeg
- Bordeaux
- Storm
- Mocha
- Café
- Toffee
- Crystal

**STAINS W/GLAZE**

- Nutmeg Ebony Glaze
- Bordeaux Ebony Glaze
- Storm Ebony Glaze
- Mocha Ebony Glaze
- Café Ebony Glaze
- Toffee Ebony Glaze
- Toffee Taupe Glaze
- Crystal Taupe Glaze

**ENAMEL PAINTS**

- Onyx
- Slate
- River Rock
- Vanilla Cream
- Latte
- Linen
- Alpine White

**ENAMEL PAINTS W/GLAZE**

- Onyx Pewter Glaze
- Onyx Taupe Glaze
- Onyx Frost Glaze
- Slate Ebony Glaze
- Slate Taupe Glaze
- Slate Frost Glaze
- River Rock Ebony Glaze
- River Rock Pewter Glaze
- River Rock Taupe Glaze
- Vanilla Cream Ebony Glaze
- Vanilla Cream Pewter Glaze
- Vanilla Cream Taupe Glaze
- Vanilla Cream Frost Glaze
- Latte Ebony Glaze
- Latte Pewter Glaze
- Latte Taupe Glaze
- Linen Ebony Glaze
- Linen Pewter Glaze
- Linen Taupe Glaze
- Linen Frost Glaze
- Alpine White Ebony Glaze
- Alpine White Pewter Glaze
- Alpine White Taupe Glaze

**See individual door styles for finish restrictions.**

PRESTIGE COLLECTION

SUMMIT COLLECTION

PRESTIGE COLLECTION

## FINISH AVAILABILITY

### STAINS

Double Espresso  
Truffle  
Espresso  
Autumn Brown  
Nutmeg  
Bordeaux  
Storm  
Mocha  
Café  
Toffee  
Crystal

### STAINS W/GLAZE

Nutmeg Ebony Glaze  
Bordeaux Ebony Glaze  
Storm Ebony Glaze  
Mocha Ebony Glaze  
Café Ebony Glaze  
Toffee Ebony Glaze  
Toffee Taupe Glaze  
Crystal Taupe Glaze

### ENAMEL PAINTS

Onyx  
Slate  
River Rock  
Vanilla Cream  
Latte  
Linen  
Alpine White

### ENAMEL PAINTS W/GLAZE

Onyx Pewter Glaze  
Onyx Taupe Glaze  
Onyx Frost Glaze  
Slate Ebony Glaze  
Slate Taupe Glaze  
Slate Frost Glaze  
River Rock Ebony Glaze  
River Rock Pewter Glaze  
River Rock Taupe Glaze  
Vanilla Cream Ebony Glaze  
Vanilla Cream Pewter Glaze  
Vanilla Cream Taupe Glaze  
Vanilla Cream Frost Glaze  
Latte Ebony Glaze  
Latte Pewter Glaze  
Latte Taupe Glaze  
Linen Ebony Glaze  
Linen Pewter Glaze  
Linen Taupe Glaze  
Linen Frost Glaze  
Alpine White Ebony Glaze  
Alpine White Pewter Glaze  
Alpine White Taupe Glaze

**See individual door styles for finish restrictions.**

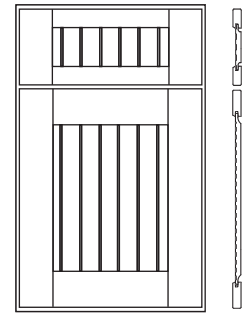
SUMMIT COLLECTION



## EDINBURGH — 326EDI

- 3/4" thick solid maple door frames and drawer fronts
- Reversed raised solid maple flat panel-in-frame center panel
- Assembled with five piece mortise and tenon joinery
- Available in square design for all cabinets; offered with 5-piece drawer fronts
- Full overlay doors and drawer fronts
- Beaded V-groove vertical lines featured in center panel
- Decorative hardware is required

Available in the following construction series: Premier™, AllWood™, and Pinnacle™



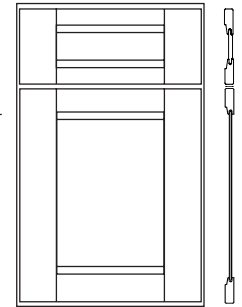
PRESTIGE COLLECTION



## FREEMAN — 374 FRE

- 3/4" thick solid maple door frames and drawer fronts
- Genuine maple wood veneer recessed flat center panel
- Assembled with five piece mortise and tenon joinery
- Available in square design for all cabinets; offered with 5-piece drawer fronts
- Full overlay doors and drawer fronts
- Decorative hardware is required
- Enamel painted Freeman door style may have an MDF flat center panel

Available in the following construction series: Premier™, AllWood™, and Pinnacle™



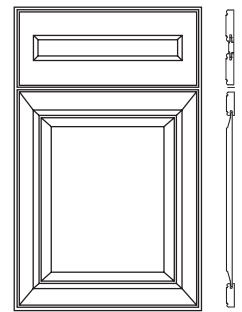
SUMMIT COLLECTION



## LISBURN — 305LIS

- 3/4" thick solid maple door frames and drawer fronts
- Genuine solid maple raised panel-in-frame
- Five-piece miter construction with mortise and tenon joinery
- Available in square design for all cabinets; offered with 5-piece drawer fronts
- Full overlay doors and drawer fronts
- Step-down profile on center panel of doors and drawers
- Defined bead profile on inner and outer edges of door frame
- Decorative hardware is required

Available in the following construction series: Premier™, AllWood™, and Pinnacle™

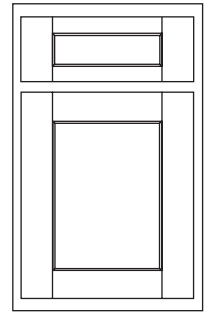






**NORWICH 5-PC — 316NWF**

- 3/4" thick solid maple door frames and drawer fronts
- Genuine maple wood veneer recessed, Shaker style flat panel-in-frame
- Assembled with five piece mortise and tenon joinery
- Available in square design for all cabinets; offered with 5-piece drawer fronts
- Standard reveal doors and drawer fronts
- Decorative hardware available but not required
- Enamel painted Norwich 5-PC door style may have an MDF flat center panel
- **Norwich 5-PC is not available in Crystal or Crystal Taupe Glaze offerings**

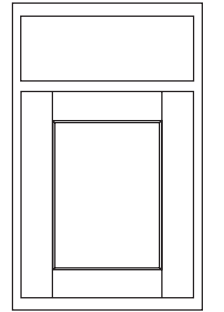


Available in the following construction series: Premier™ and AllWood™



**NORWICH SLAB — 306NOR**

- 3/4" thick solid maple door frames and drawer fronts
- Genuine maple wood veneer recessed, Shaker style flat panel-in-frame
- Assembled with five piece mortise and tenon joinery
- Available in square design for all cabinets; offered with slab drawer fronts
- Standard reveal doors and drawer fronts
- Decorative hardware available but not required
- Enamel painted Norwich Slab door style may have an MDF flat center panel
- **Norwich Slab is only available in Bordeaux, Café, Espresso, Mocha, Toffee, Alpine White, and Vanilla Cream finishes. Not available in glaze finishes.**

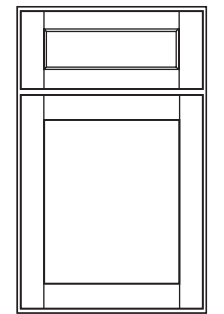


Available in the following construction series: Premier™ and AllWood™



**ROSSITER 5-PC — 322ROF**

- 3/4" thick solid maple door frames and drawer fronts
- Genuine maple wood veneer recessed, Shaker style flat panel-in-frame
- Assembled with five piece mortise and tenon joinery
- Available in square design for all cabinets; offered with 5-piece drawer fronts
- Full overlay doors and drawer fronts
- Decorative hardware is required
- Enamel painted Rossiter 5-PC door style may have an MDF center panel

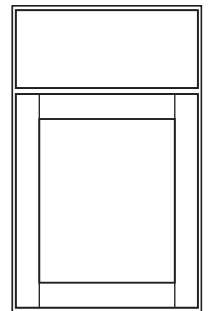


Available in the following construction series: Premier™, AllWood™, and Pinnacle™



**ROSSITER SLAB — 320ROS**

- 3/4" thick solid maple door frames and drawer fronts
- Genuine maple wood veneer recessed, Shaker style flat panel-in-frame
- Assembled with five piece mortise and tenon joinery
- Available in square design for all cabinets; offered with slab drawer fronts
- Full overlay doors and drawer fronts
- Decorative hardware is required
- Enamel painted Rossiter Slab door style may have an MDF center panel



Available in the following construction series: Premier™, AllWood™, and Pinnacle™

FINISH AVAILABILITY	
PRESTIGE COLLECTION	<b>STAINS</b>
	Double Espresso
	Truffle
	Espresso
	Autumn Brown
	Nutmeg
	Bordeaux
	Storm
	Mocha
	Café
Toffee	
Crystal	
ASCENT COLLECTION	<b>STAINS W/GLAZE</b>
	Nutmeg Ebony Glaze
	Bordeaux Ebony Glaze
	Storm Ebony Glaze
	Mocha Ebony Glaze
	Café Ebony Glaze
	Toffee Ebony Glaze
	Toffee Taupe Glaze
	Crystal Taupe Glaze
	<b>ENAMEL PAINTS</b>
Onyx	
Slate	
River Rock	
Vanilla Cream	
Latte	
Linen	
Alpine White	
PRESTIGE COLLECTION	<b>ENAMEL PAINTS W/GLAZE</b>
	Onyx Pewter Glaze
	Onyx Taupe Glaze
	Onyx Frost Glaze
	Slate Ebony Glaze
	Slate Taupe Glaze
	Slate Frost Glaze
	River Rock Ebony Glaze
	River Rock Pewter Glaze
	River Rock Taupe Glaze
	Vanilla Cream Ebony Glaze
	Vanilla Cream Pewter Glaze
	Vanilla Cream Taupe Glaze
	Vanilla Cream Frost Glaze
	Latte Ebony Glaze
	Latte Pewter Glaze
	Latte Taupe Glaze
	Linen Ebony Glaze
	Linen Pewter Glaze
	Linen Taupe Glaze
Linen Frost Glaze	
Alpine White Ebony Glaze	
Alpine White Pewter Glaze	
Alpine White Taupe Glaze	

**See individual door styles for finish restrictions.**



## FINISH AVAILABILITY

### STAINS

Double Espresso  
Truffle  
Espresso  
Autumn Brown  
Nutmeg  
Bordeaux  
Storm  
Mocha  
Café  
Toffee  
Crystal

### STAINS W/GLAZE

Nutmeg Ebony Glaze  
Bordeaux Ebony Glaze  
Storm Ebony Glaze  
Mocha Ebony Glaze  
Café Ebony Glaze  
Toffee Ebony Glaze  
Toffee Taupe Glaze  
Crystal Taupe Glaze

### ENAMEL PAINTS

Onyx  
Slate  
River Rock  
Vanilla Cream  
Latte  
Linen  
Alpine White

### ENAMEL PAINTS W/GLAZE

Onyx Pewter Glaze  
Onyx Taupe Glaze  
Onyx Frost Glaze  
Slate Ebony Glaze  
Slate Taupe Glaze  
Slate Frost Glaze  
River Rock Ebony Glaze  
River Rock Pewter Glaze  
River Rock Taupe Glaze  
Vanilla Cream Ebony Glaze  
Vanilla Cream Pewter Glaze  
Vanilla Cream Taupe Glaze  
Vanilla Cream Frost Glaze  
Latte Ebony Glaze  
Latte Pewter Glaze  
Latte Taupe Glaze  
Linen Ebony Glaze  
Linen Pewter Glaze  
Linen Taupe Glaze  
Linen Frost Glaze  
Alpine White Ebony Glaze  
Alpine White Pewter Glaze  
Alpine White Taupe Glaze

**See individual door styles  
for finish restrictions.**

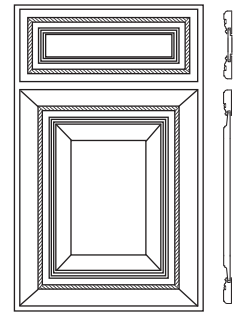
SUMMIT COLLECTION



## SOUTHAMPTON — 362SOU

- 3/4" thick solid maple door frames and drawer fronts
- Solid hard maple raised panel-in-frame center panel
- Assembled with nine piece mitered construction with blind mortise and tenon joinery
- Available in square design for all cabinets; offered with 5-piece drawer fronts
- Full overlay doors and drawer fronts
- Rope inlay and sculpted inner door profile
- Decorative hardware is required
- Must upgrade to dovetail drawers

Available in the following construction series: Premier™, AllWood™, and Pinnacle™



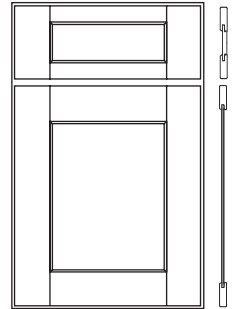
PRESTIGE COLLECTION



## TREVINO 5-PC — 340TRF

- 3/4" thick solid maple door frames and drawer fronts
- Genuine maple wood veneer recessed, Shaker style flat panel-in-frame
- Assembled with five piece mortise and tenon joinery
- Available in square design for all cabinets; offered with 5-piece drawer fronts
- Full overlay doors and drawer fronts
- Decorative hardware is required
- Enamel painted Trevino 5-PC door style may have an MDF flat center panel

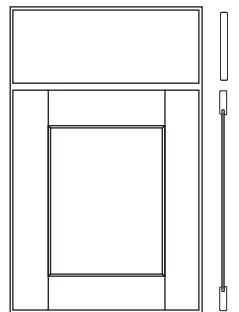
Available in the following construction series: Premier™, AllWood™, and Pinnacle™



## TREVINO SLAB — 339TRS

- 3/4" thick solid maple door frames and drawer fronts
- Genuine maple wood veneer recessed, Shaker style flat panel-in-frame
- Assembled with five piece mortise and tenon joinery
- Available in square design for all cabinets; offered with slab drawer fronts
- Full overlay doors and drawer fronts
- Decorative hardware is required
- Enamel painted Trevino Slab door style may have an MDF flat center panel

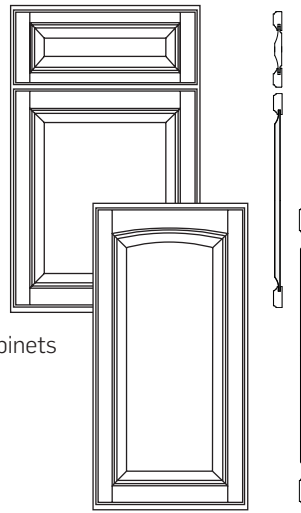
Available in the following construction series: Premier™, AllWood™, and Pinnacle™





**WESTON 5-PC — 349WSF**  
**WESTON ARCH 5-PC — 350WSA**

- 3/4" thick solid maple door frames and drawer fronts
- Genuine maple wood veneer raised panel-in-frame
- Assembled with five piece mortise and tenon joinery
- Available in square design for all cabinets; available in eyebrow arch design for wall cabinets only; offered with 5-piece drawer fronts
- Full overlay doors and drawer fronts
- Double step straight edge outside profile
- Decorative hardware is required
- Enamel painted Weston 5-PC and 5-PC Arch door styles may have MDF raised center panels

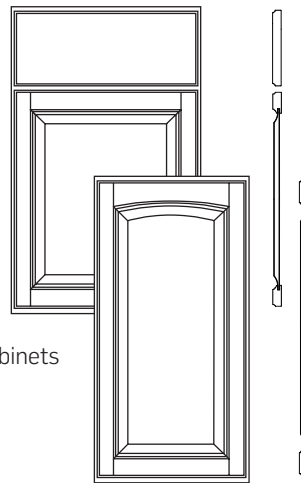


Available in the following construction series: Premier™, AllWood™, and Pinnacle™



**WESTON SLAB — 347WET**  
**WESTON ARCH SLAB — 348WER**

- 3/4" thick solid maple door frames and drawer fronts
- Genuine maple wood veneer raised panel-in-frame
- Assembled with five piece mortise and tenon joinery
- Available in square design for all cabinets; available in eyebrow arch design for wall cabinets only; offered with slab drawer fronts
- Full overlay doors and drawer fronts
- Double step straight edge outside profile
- Decorative hardware is required
- Enamel painted Weston Slab and Slab Arch door styles may have MDF raised center panels



Available in the following construction series: Premier™, AllWood™, and Pinnacle™

**FINISH AVAILABILITY**

**STAINS**

- Double Espresso
- Truffle
- Espresso
- Autumn Brown
- Nutmeg
- Bordeaux
- Storm
- Mocha
- Café
- Toffee
- Crystal

**STAINS W/GLAZE**

- Nutmeg Ebony Glaze
- Bordeaux Ebony Glaze
- Storm Ebony Glaze
- Mocha Ebony Glaze
- Café Ebony Glaze
- Toffee Ebony Glaze
- Toffee Taupe Glaze
- Crystal Taupe Glaze

**ENAMEL PAINTS**

- Onyx
- Slate
- River Rock
- Vanilla Cream
- Latte
- Linen
- Alpine White

**ENAMEL PAINTS W/GLAZE**

- Onyx Pewter Glaze
- Onyx Taupe Glaze
- Onyx Frost Glaze
- Slate Ebony Glaze
- Slate Taupe Glaze
- Slate Frost Glaze
- River Rock Ebony Glaze
- River Rock Pewter Glaze
- River Rock Taupe Glaze
- Vanilla Cream Ebony Glaze
- Vanilla Cream Pewter Glaze
- Vanilla Cream Taupe Glaze
- Vanilla Cream Frost Glaze
- Latte Ebony Glaze
- Latte Pewter Glaze
- Latte Taupe Glaze
- Linen Ebony Glaze
- Linen Pewter Glaze
- Linen Taupe Glaze
- Linen Frost Glaze
- Alpine White Ebony Glaze
- Alpine White Pewter Glaze
- Alpine White Taupe Glaze

PRESTIGE COLLECTION

**See individual door styles for finish restrictions.**

		STAIN FINISHES										STAIN w/ GLAZE FINISHES						*ENAMEL PAINTS										
		Double Espresso	Truffle	Espresso	Autumn Brown	Nutmeg	Bordeaux	Storm	Mocha	Café	Toffee	Crystal	Nutmeg Ebony Glaze	Bordeaux Glaze	Storm Ebony Glaze	Mocha Ebony Glaze	Café Ebony Glaze	Toffee Ebony Glaze	Toffee Taupe Glaze	Crystal Taupe Glaze	Onyx	Slate	River Rock	Vanilla Cream	Latte	Linen	Alpine White	
MAPLE DOOR STYLES	ASCENT COLLECTION	Norwich Slab			●			●		●	●	●												●			●	
	PRESTIGE COLLECTION	Addison 5-PC / Slab	●	●	●	●	●	●	●	●	●	●	●	●	●	●	●	●	●	●	●	●	●	●	●	●	●	●
		Bedford	●	●	●	●	●	●	●	●	●	●	●	●	●	●	●	●	●	●	●	●	●	●	●	●	●	●
		Belleview	●	●	●	●	●	●	●	●	●	●	●	●	●	●	●	●	●	●	●	●	●	●	●	●	●	●
		Brisbin	●	●	●	●	●	●	●	●	●	●	●	●	●	●	●	●	●	●	●	●	●	●	●	●	●	●
		Cheswick	●	●	●	●	●	●	●	●	●	●	●	●	●	●	●	●	●	●	●	●	●	●	●	●	●	●
		Freeman <small>NEW</small>	●	●	●	●	●	●	●	●	●	●	●	●	●	●	●	●	●	●	●	●	●	●	●	●	●	●
		Norwich 5-PC <small>NEW</small>	●	●	●	●	●	●	●	●	●	●	●	●	●	●	●	●	●	●	●	●	●	●	●	●	●	●
		Rossiter 5-PC / Slab	●	●	●	●	●	●	●	●	●	●	●	●	●	●	●	●	●	●	●	●	●	●	●	●	●	●
		Trevino 5-PC / Slab	●	●	●	●	●	●	●	●	●	●	●	●	●	●	●	●	●	●	●	●	●	●	●	●	●	●
		Weston 5-PC / Arch <small>NEW</small>	●	●	●	●	●	●	●	●	●	●	●	●	●	●	●	●	●	●	●	●	●	●	●	●	●	●
	Weston Slab / Arch <small>NEW</small>	●	●	●	●	●	●	●	●	●	●	●	●	●	●	●	●	●	●	●	●	●	●	●	●	●	●	
	SUMMIT COLLECTION	Ardmore <small>NEW</small>	●	●	●	●	●	●	●	●	●	●	●	●	●	●	●	●	●	●	●	●	●	●	●	●	●	●
		Carlisle	●	●	●	●	●	●	●	●	●	●										●	●	●	●	●	●	●
		Edinburgh	●	●	●	●	●	●	●	●	●	●	●	●	●	●	●	●	●	●	●	●	●	●	●	●	●	●
Lisburn		●	●	●	●	●	●	●	●	●	●	●	●	●	●	●	●	●	●	●	●	●	●	●	●	●	●	
Southampton		●	●	●	●	●	●	●	●	●	●	●	●	●	●	●	●	●	●	●	●	●	●	●	●	●	●	

\* Painted cabinet products have unique characteristics that differ from other finishes but are not considered manufacturer quality defects. Please see our [Paint Finish Disclaimer](#) on page 224 for more information.

*ENAMEL PAINTS w/ GLAZE FINISHES																									
Onyx Pewter Glaze	Onyx Taupe Glaze	Onyx Frost Glaze	Slate Ebony Glaze	Slate Taupe Glaze	Slate Frost Glaze	River Rock Ebony Glaze	River Rock Pewter Glaze	River Rock Taupe Glaze	Van. Cream Ebony Glaze	Van. Cream Pewter Glaze	Van. Cream Taupe Glaze	Van. Cream Frost Glaze	Latte Ebony Glaze	Latte Pewter Glaze	Latte Taupe Glaze	Linen Ebony Glaze	Linen Pewter Glaze	Linen Taupe Glaze	Linen Frost Glaze	Alp. White Ebony Glaze	Alp. White Pewter Glaze	Alp. White Taupe Glaze			
																								Norwich Slab	ASCENT COLLECTION
●	●	●	●	●	●	●	●	●	●	●	●	●	●	●	●	●	●	●	●	●	●	●	●	Addison 5-PC / Slab	PRESTIGE COLLECTION
●	●	●	●	●	●	●	●	●	●	●	●	●	●	●	●	●	●	●	●	●	●	●	●	Bedford	
●	●	●	●	●	●	●	●	●	●	●	●	●	●	●	●	●	●	●	●	●	●	●	●	Belleview	
●	●	●	●	●	●	●	●	●	●	●	●	●	●	●	●	●	●	●	●	●	●	●	●	Brisbin	
●	●	●	●	●	●	●	●	●	●	●	●	●	●	●	●	●	●	●	●	●	●	●	●	Cheswick	
●	●	●	●	●	●	●	●	●	●	●	●	●	●	●	●	●	●	●	●	●	●	●	●	Freeman <span style="float:right">NEW</span>	
●	●	●	●	●	●	●	●	●	●	●	●	●	●	●	●	●	●	●	●	●	●	●	●	Norwich 5-PC <span style="float:right">NEW</span>	
●	●	●	●	●	●	●	●	●	●	●	●	●	●	●	●	●	●	●	●	●	●	●	●	Rossiter 5-PC / Slab	
●	●	●	●	●	●	●	●	●	●	●	●	●	●	●	●	●	●	●	●	●	●	●	●	Trevino 5-PC / Slab	
●	●	●	●	●	●	●	●	●	●	●	●	●	●	●	●	●	●	●	●	●	●	●	●	Weston 5-PC / Arch <span style="float:right">NEW</span>	
●	●	●	●	●	●	●	●	●	●	●	●	●	●	●	●	●	●	●	●	●	●	●	●	Weston Slab / Arch <span style="float:right">NEW</span>	
●	●	●	●	●	●	●	●	●	●	●	●	●	●	●	●	●	●	●	●	●	●	●	●	Ardmore <span style="float:right">NEW</span>	SUMMIT COLLECTION
																								Carlisle	
●	●	●	●	●	●	●	●	●	●	●	●	●	●	●	●	●	●	●	●	●	●	●	●	Edinburgh	
●	●	●	●	●	●	●	●	●	●	●	●	●	●	●	●	●	●	●	●	●	●	●	●	Lisburn	
●	●	●	●	●	●	●	●	●	●	●	●	●	●	●	●	●	●	●	●	●	●	●	●	Southampton	

\* Painted cabinet products have unique characteristics that differ from other finishes but are not considered manufacturer quality defects. Please see our [Paint Finish Disclaimer](#) on page 224 for more information.

## FINISH AVAILABILITY

### STAINS

Double Espresso  
Truffle  
Espresso  
Autumn Brown  
Nutmeg  
Bordeaux  
Mocha  
Café  
Toffee  
Crystal

### STAINS W/GLAZE

Nutmeg Ebony Glaze  
Bordeaux Ebony Glaze  
Mocha Ebony Glaze  
Café Ebony Glaze  
Toffee Ebony Glaze  
Toffee Taupe Glaze  
Crystal Taupe Glaze

### ENAMEL PAINTS

Onyx  
Slate  
Vanilla Cream  
Linen  
Alpine White

### ENAMEL PAINTS W/GLAZE

Onyx Pewter Glaze  
Onyx Taupe Glaze  
Onyx Frost Glaze  
Slate Ebony Glaze  
Slate Taupe Glaze  
Slate Frost Glaze  
Vanilla Cream Ebony Glaze  
Vanilla Cream Pewter Glaze  
Vanilla Cream Taupe Glaze  
Vanilla Cream Frost Glaze  
Linen Ebony Glaze  
Linen Pewter Glaze  
Linen Taupe Glaze  
Linen Frost Glaze  
Alpine White Ebony Glaze  
Alpine White Pewter Glaze  
Alpine White Taupe Glaze

**See individual door styles  
for finish restrictions.**

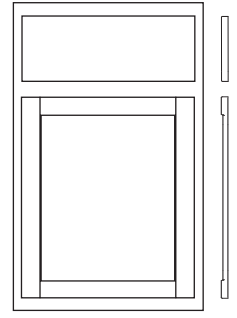
ASCENT COLLECTION



### HARGROVE — 417HAR

- 3/4" thick solid birch door frames and drawer fronts
- Genuine birch wood veneer recessed flat panel-in-frame
- Assembled with five piece mortise and tenon joinery
- Available in square design for all cabinets; offered with slab drawer fronts
- Standard reveal doors and drawer fronts
- Eased edge profile on top and bottom of door frame
- Decorative hardware available but not required
- **Hargrove is only available in Café, Espresso, Mocha, and Toffee finishes**

Available in the following construction series: Premier™ and AllWood™.



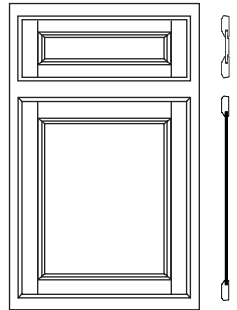
PRESTIGE COLLECTION



### SALERNO 5-PC — 477SAF

- 3/4" thick solid birch door frames and drawer fronts
- Genuine birch wood veneer flat panel-in-frame
- Assembled with five piece mortise and tenon joinery
- Available in square design for all cabinets; offered with 5-piece drawer fronts
- Standard reveal doors and drawer fronts
- Single step edge on door frame
- Decorative hardware available but not required
- Enamel painted Salerno 5-PC door style may have an MDF flat center panel

Available in the following construction series: Premier™ and AllWood™.



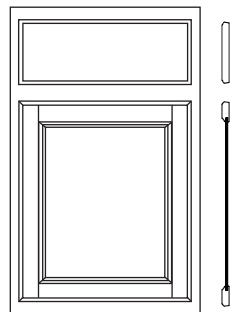
ASCENT COLLECTION



### SALERNO SLAB — 468SAL

- 3/4" thick solid birch door frames and drawer fronts
- Genuine birch wood veneer flat panel-in-frame
- Assembled with five piece mortise and tenon joinery
- Available in square design for all cabinets; offered with slab drawer fronts
- Standard reveal doors and drawer fronts
- Single step edge on door frame
- Decorative hardware available but not required
- Enamel painted Salerno Slab door style may have an MDF flat center panel
- **Salerno Slab is only available in Alpine White, Bordeaux, Café, Espresso, Mocha, Toffee, and Vanilla Cream finishes**

Available in the following construction series: Premier™ and AllWood™.

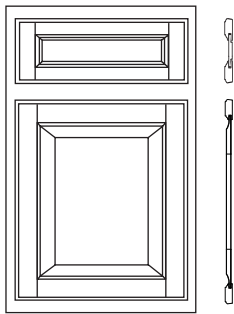




**TOURAINE 5-PC — 478TOF**

- 3/4" thick solid birch door frames and drawer fronts
- Genuine birch wood veneer raised panel-in-frame
- Assembled with five piece mortise and tenon joinery
- Available in square design for all cabinets; offered with slab drawer fronts
- Standard reveal doors and drawer fronts
- Single step edge on door frame
- Decorative hardware available but not required
- Enamel painted Touraine 5-PC door style may have an MDF raised center panel
- **When ordering Crystal or Crystal Taupe Glaze Finish customer approval of samples is required.**

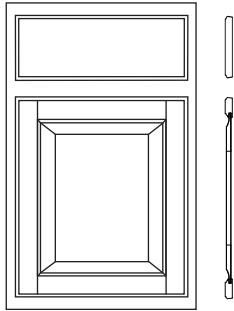
Available in the following construction series: Premier™ and AllWood™



**TOURAINE SLAB — 467TOU**

- 3/4" thick solid birch door frames and drawer fronts
- Genuine birch wood veneer raised panel-in-frame
- Assembled with five piece mortise and tenon joinery
- Available in square design for all cabinets; offered with slab drawer fronts
- Standard reveal doors and drawer fronts
- Single step edge on door frame
- Decorative hardware available but not required
- Enamel painted Touraine Slab door style may have an MDF flat center panel
- **Touraine Slab is only available in Alpine White, Bordeaux, Café, Espresso, Mocha, Toffee, and Vanilla Cream finishes**

Available in the following construction series: Premier™ and AllWood™



PRESTIGE COLLECTION

ASCENT COLLECTION

**FINISH AVAILABILITY**

**STAINS**

- Double Espresso
- Truffle
- Espresso
- Autumn Brown
- Nutmeg
- Bordeaux
- Mocha
- Café
- Toffee
- Crystal

**STAINS W/GLAZE**

- Nutmeg Ebony Glaze
- Bordeaux Ebony Glaze
- Mocha Ebony Glaze
- Café Ebony Glaze
- Toffee Ebony Glaze
- Toffee Taupe Glaze
- Crystal Taupe Glaze

**ENAMEL PAINTS**

- Onyx
- Slate
- Vanilla Cream
- Linen
- Alpine White

**ENAMEL PAINTS W/GLAZE**

- Onyx Pewter Glaze
- Onyx Taupe Glaze
- Onyx Frost Glaze
- Slate Ebony Glaze
- Slate Taupe Glaze
- Slate Frost Glaze
- Vanilla Cream Ebony Glaze
- Vanilla Cream Pewter Glaze
- Vanilla Cream Taupe Glaze
- Vanilla Cream Frost Glaze
- Linen Ebony Glaze
- Linen Pewter Glaze
- Linen Taupe Glaze
- Linen Frost Glaze
- Alpine White Ebony Glaze
- Alpine White Pewter Glaze
- Alpine White Taupe Glaze

**See individual door styles for finish restrictions.**

		STAIN FINISHES									STAIN w/ GLAZE FINISHES						*ENAMEL PAINTS							
		Double Espresso	Truffle	Espresso	Autumn Brown	Nutmeg	Bordeaux	Mocha	Café	Toffee	Crystal	Nutmeg Ebony Glaze	Bordeaux Ebony Glaze	Mocha Ebony Glaze	Café Ebony Glaze	Toffee Ebony Glaze	Toffee Taupe Glaze	Crystal Taupe Glaze	Onyx	Slate	Vanilla Cream	Linen	Alpine White	
BIRCH DOOR STYLES	ASCENT COLLECTION	Hargrove			●																			
		Salerno Slab			●		●	●	●	●												●		●
		Touraine Slab			●		●	●	●	●												●		●
		Salerno 5-PC	●	●	●	●	●	●	●	●	●	●	●	●	●	●	●	●	●	●	●	●	●	●
		Touraine 5-PC	●	●	●	●	●	●	●	●	●	✓	●	●	●	●	●	●	✓	●	●	●	●	●

✓ Due to the inherent characteristics of wood and possible variations in color, **customer approval of samples is required before ordering.**

\* Painted cabinet products have unique characteristics that differ from other finishes but are not considered manufacturer quality defects. Please see our **Paint Finish Disclaimer** on page 224 for more information.

*ENAMEL PAINTS w/ GLAZE FINISHES																			
Onyx Pewter Glaze	Onyx Taupe Glaze	Onyx Frost Glaze	Slate Ebony Glaze	Slate Taupe Glaze	Slate Frost Glaze	Van. Cream Ebony Glaze	Van. Cream Pewter Glaze	Van. Cream Taupe Glaze	Van. Cream Frost Glaze	Linen Ebony Glaze	Linen Pewter Glaze	Linen Taupe Glaze	Linen Frost Glaze	Alp. White Ebony Glaze	Alp. White Pewter Glaze	Alp. White Taupe Glaze	Hargrove	ASCENT COLLECTION	BIRCH DOOR STYLES
																	Salerno Slab		
																	Touraine Slab		
●	●	●	●	●	●	●	●	●	●	●	●	●	●	●	●	●	Salerno 5-PC	PRESTIGE COLLECTION	
●	●	●	●	●	●	●	●	●	●	●	●	●	●	●	●	●	Touraine 5-PC		

✓ Due to the inherent characteristics of wood and possible variations in color, **customer approval of samples is required before ordering.**

\* Painted cabinet products have unique characteristics that differ from other finishes but are not considered manufacturer quality defects. Please see our **Paint Finish Disclaimer** on page 224 for more information.



## FINISH AVAILABILITY

### STAINS

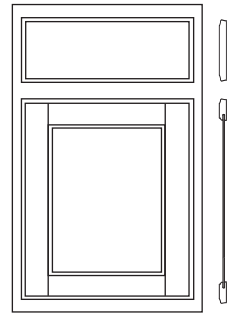
- Bordeaux
- Mocha
- Chestnut
- Honey

ASCENT COLLECTION



### BENTON — 507BEN

- 3/4" thick solid oak door frames and drawer fronts
- Genuine oak wood veneer recessed flat panel-in-frame
- Assembled with five piece mortise and tenon joinery
- Available in square design for all cabinets; offered with slab drawer fronts
- Standard reveal doors and drawer fronts
- Single step concave edge on door frame
- Decorative hardware available but not required

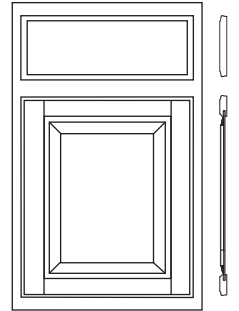


Available in the following construction series: Premier™ and AllWood™.



### HERNDON — 502HER

- 3/4" thick solid oak door frames and drawer fronts
- Genuine oak wood veneer raised panel-in-frame
- Assembled with five piece mortise and tenon joinery
- Available in square design for all cabinets; offered with slab drawer fronts
- Standard reveal doors and drawer fronts
- Single step concave edge on door frame
- Decorative hardware available but not required



Available in the following construction series: Premier™ and AllWood™.

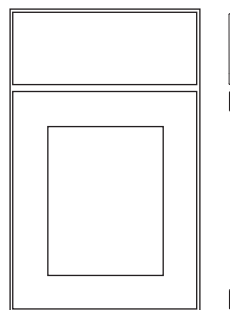
		STAINS				
		Bordeaux	Mocha	Chestnut	Honey	
OAK DOOR STYLES	ASCENT COLLECTION	Benton	●	●	●	●
	Herndon	●	●	●	●	



**MARIANNA — 779MAR**

- 5/8" thick thermofoil doors and drawer fronts
- Recessed flat panel Shaker door style
- Thermofoil, bonded under heat and pressure or vacuum formed on face and four edges to MDF core
- Low pressure melamine on back
- Available in square design for all cabinets; offered with slab drawer fronts
- Full overlay doors and drawer fronts
- Decorative hardware is required

Available in the following construction series: Premier™ and AllWood™



FINISH AVAILABILITY

**ALL THERMOFOIL DOOR STYLES ARE ONLY AVAILABLE IN A WHITE THERMOFOIL FINISH.**

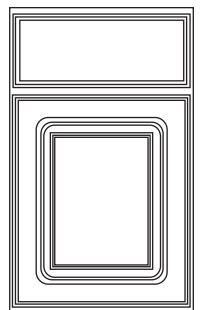
PRESTIGE COLLECTION



**SUTTON — 781SUT**

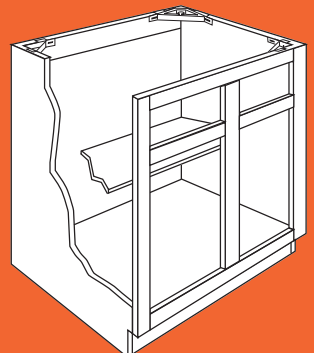
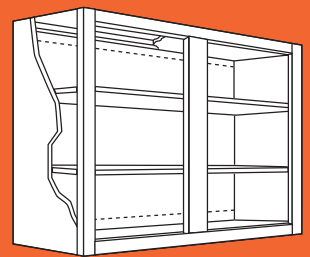
- 5/8" thick thermofoil doors and drawer fronts
- Routed raised panel
- Thermofoil, bonded under heat and pressure or vacuum formed on face and four edges to MDF core
- Low pressure melamine on back
- Available in square design for all cabinets; offered with slab drawer fronts
- Full overlay doors and drawer fronts
- Double step rolled edge on inner and outer door profile
- Decorative hardware is required

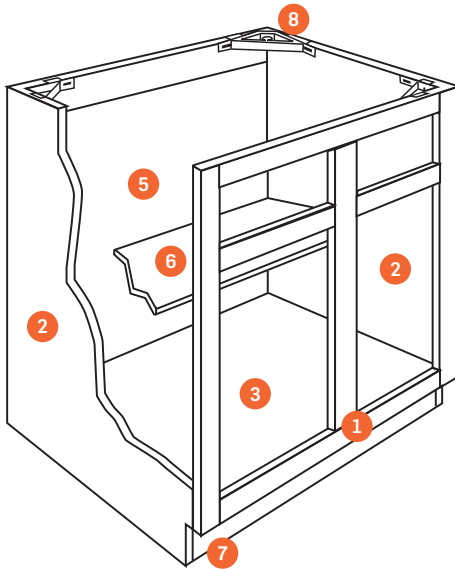
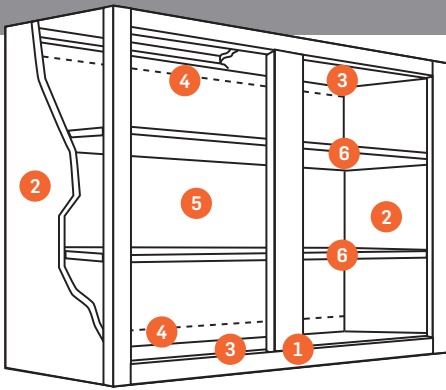
Available in the following construction series: Premier™ and AllWood™



**ALL THERMOFOIL DOOR STYLES ARE ONLY AVAILABLE IN A WHITE THERMOFOIL FINISH.**

# CONSTRUCTION OPTIONS





- 1 FRONT FRAME** – 3/4" Thick kiln dried solid hardwood. Pocket screw or bore and dowel construction frame joinery reinforced with glue and nail. Stiles 1 1/2" wide. Mulls 3" wide. Rails 1 3/4" wide. Stiles and top and bottom rails dadoed to receive ends, tops and bottoms.
- 2 END PANELS** – **Standard:** Nominal 1/2" thick (12mm) wood based composite panel dadoed to receive tops and bottoms, with matching laminate exterior surfaces. Alpine White (AL) and Thermofoil White (WW) cabinets will come with white laminate cabinet interiors; all others will have crystal maple laminate interiors. All end panels are inserted into dado in face frame and recessed 3/16". **Upgrade:** Nominal 1/2" thick (12mm) multi-ply hardwood plywood with oak, maple, or cherry veneer on exterior surface and birch veneer on interior surface. All end panels are constructed with the same dado joinery as above and are recessed 3/16".
- 3 TOP/BOTTOM PANELS** – Nominal 1/2" thick (12mm) wood based composite panel with maple grained or white laminate on exterior and interior surfaces for wall cabinets and interior surface for base cabinets. Tops and bottoms are set into grooved end panels and front rails glued and stapled. Bottoms are supported at rear of base cabinet by nominal 1/2" thick (12mm) wood base composite panel.
- 4 HANGING RAILS** – Wall cabinets have nominal 1/2" thick (12mm) x 2 7/8" high multi-ply hardwood plywood hanging rail running full cabinet width at top and bottom. Base cabinets have nominal 1/2" thick (12mm) x 2 7/8" high wood based composite panel hanging rail running full cabinet width at top. Hanging rails are captured between end panels recessed behind back panel for Wall cabinets and in front of back panels for Base and Tall cabinets. Tall cabinets have nominal 3/4" thick (18mm) x 3" high multi-ply hardwood plywood hanging rail running full cabinet width at top.
- 5 BACK PANEL** – Nominal 1/8" (3mm) hardboard with maple grained or white interior surface. Securely glued and stapled to end panels and hang rails. Back panels are fully captured on wall cabinets.
- 6 SHELVES** – Nominal 5/8" thick (15mm) wood based composite panel with maple grained or white laminate on both faces and matching edgeband on facing edge. Shelves are adjustable in all standard wall and base cabinets.
- 7 TOE KICK** – Nominal 1/2" thick (12mm) unfinished wood based composite panel captured between end panels. Toe kick is 4" high and recessed 3 3/8".
- 8 BASE CORNER BRACES** – High impact, injection molded plastic.

**DRAWERS** – **Standard:** Nominal 1/2" thick (12mm) hardwood front, back and sides. Drawer bottoms are nominal 1/4" thick (6mm) multi-ply hardwood inserted into dado in front, back and sides. All drawer parts glued and stapled together.

**DRAWER GUIDES** – High-quality epoxy coated steel, Cushion-Tec™, side mounted guides, self adjusting in mounting brackets. Built-in stop, self-closing and stay-closed features with a 100 lb. rated load capacity.

**DOVETAIL DRAWER (optional)** – Front, back and sides are 5/8" thick (16mm) solid beech hardwood with dovetail construction. Drawer bottoms are nominal 1/4" (6mm) multi-ply hardwood birch plywood inserted into dado in front, back and sides. Drawer bottoms are glued and stapled to sides.

**UNDERMOUNT DRAWER GUIDE (standard with dovetail drawer only)** – High-quality steel, undermount construction provides full drawer access. Self adjusting in mounting brackets. Built-in stop, self-closing and stay closed features with a 75 lb. rated load capacity.

**SOFT-CLOSE UNDERMOUNT DRAWER GUIDE (deluxe upgrade with dovetail drawer only)** – High-quality steel, undermount construction provides soft-close feature that helps reduce drawer slamming. Drawers are full extension, self adjusting in mounting brackets. Built-in stop, self-closing and stay closed features with a 100 lb. rated load capacity.

**HINGES** – **Standard:** Heavy-duty, high-quality steel, concealed 6-way adjustable hinge with self-closing feature. **Optional:** High-quality steel wrap-around hinge with self-closing feature (standard reveal door styles only). **Upgrade:** Gentle-Touch (soft-close) Hinge: Heavy-duty, high-quality steel, concealed 6-way hinge with 3 adjustable levels of soft-close resistance.

**FINISH** – Furniture quality protective finish system on doors, drawer fronts, front frames and veneer plywood end panels consisting of sanding, stain, catalyzed sealer and catalyzed clear top coats.

## PREMIER CONSTRUCTION SERIES UPGRADE NOMENCLATURE

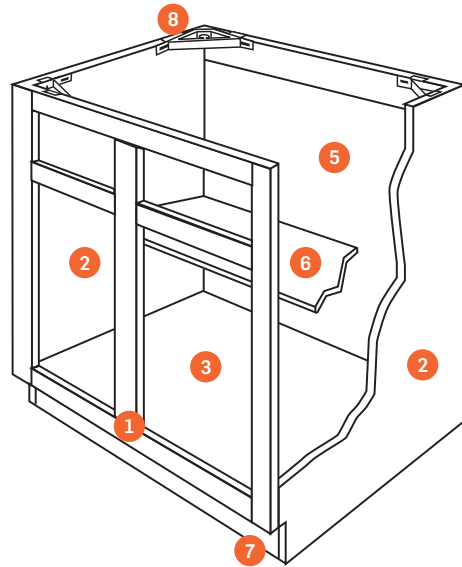
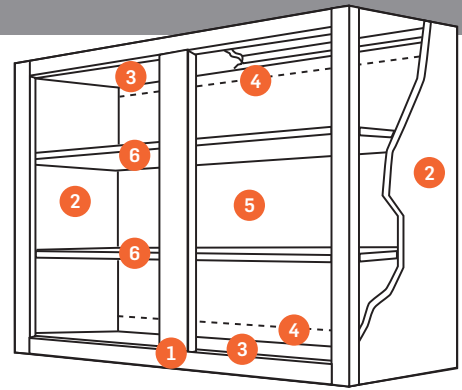
	UPGRADE CODE		UPGRADE CODE
Matching Plywood End Panels (MPE)			
Oak.....	<b>K</b>	Dovetail Drawers with undermount guide.....	<b>D</b>
Maple.....	<b>P</b>	Soft-Close Undermount Drawer Guide	
Cherry.....	<b>E</b>	(available for dovetail drawers only).....	<b>S</b>
Rustic Alder (Cherry substituted for Rustic Alder) ....	<b>E</b>	Gentle-Touch (soft-close) Hinge.....	<b>G</b>

Altered Depth available for wall cabinets in 15" and 18" depth, and base cabinets 18" and 21" depth

**NOTICE:** The product specifications appearing herein supersede and cancel all previous sheets, supplements and addenda, and represent current manufacturing standards and procedures.

Echelon Cabinetry reserves the right to make specification changes for continued product improvement.

For aesthetic considerations the furniture and cabinet industries have made veneer on composite panel substrate the standard method of construction for raised panel-in-frame doors in some wood species. Within the Echelon Cabinetry product line, those species include oak, birch, and maple.



- 1 FRONT FRAME** – 3/4" Thick kiln dried solid hardwood. Pocket screw or bore and dowel construction frame joinery reinforced with glue and nail. Stiles 1 1/2" wide. Mulls 3" wide. Rails 1 3/4" wide. Stiles and top and bottom rails dadoed to receive ends, tops and bottoms.
- 2 END PANELS** – **Standard:** Nominal 1/2" thick (12mm) multi-ply birch veneer plywood dadoed to receive tops and bottoms, with matching laminate exterior surfaces. End panels are inserted into dado in face frame and recessed 3/16". **Upgrade:** Nominal 1/2" thick (12mm) multi-ply hardwood plywood with oak, maple or cherry veneer on exterior surface and birch veneer on interior surface. All end panels are constructed with the same dado joinery as above and are recessed 3/16".
- 3 TOP/BOTTOM PANELS** – Nominal 1/2" thick (12mm) multi-ply hardwood plywood. Tops and bottoms set into grooved end panels, and front rails glued and stapled. Bottoms are supported at rear of base cabinets by nominal 1/2" thick (12mm) multi-ply hardwood plywood.
- 4 HANGING RAILS** – Wall cabinets have nominal 1/2" thick (12mm) x 2 7/8" high multi-ply hardwood plywood. Each is running full cabinet length at the top and bottom. Base cabinets have a nominal 1/2" thick (12mm) x 2 7/8" high multi-ply hardwood plywood hang rail at the top. Hang rails are captured between end panels recessed behind back panel for Wall cabinets and in front of back panel for Base, and Tall cabinets. Tall cabinets have nominal 3/4" (18mm) x 3" high multi-ply hardwood plywood hang rail.
- 5 BACK PANEL** – Nominal 1/8" thick (3mm), hardwood plywood. Securely glued and stapled to end panels and hang rails. Back panels are fully captured on wall cabinets.
- 6 SHELVES** – Nominal 5/8" thick (15mm) multi-ply hardwood plywood, with hardwood veneer banded front edge. Shelves are adjustable in all standard wall and base cabinets
- 7 TOE KICK** – Nominal 1/2" thick (12mm) multi-ply hardwood plywood. Toe kick is 4" high and recessed 3 3/8".
- 8 BASE CORNER BRACES** – High impact, injection molded plastic.

**DRAWERS** – **Standard:** Nominal 1/2" thick (12mm) multi-ply hardwood front, back and sides. Drawer bottoms are nominal 1/4" thick (6mm) multi-ply hardwood inserted into dado in front, back and sides. All drawer parts glued and stapled together.

**DRAWER GUIDES** – High-quality epoxy coated steel, Cushion-Tec™, side mounted guides, self-adjusting in mounting brackets. Built-in stop, self-closing and stay-closed features with a 100 lb. rated load capacity.

**DOVETAIL DRAWER (optional)** – Front, back and sides are 5/8" thick (16mm) solid beech hardwood with dovetail construction. Drawer bottoms are nominal 1/4" (6mm) multi-ply hardwood birch plywood inserted into dado in front, back and sides. Drawer bottoms are glued and stapled to sides.

**UNDERMOUNT DRAWER GUIDE (standard with dovetail drawer only)** – High-quality steel, undermount construction provides full drawer access. Self-adjusting in mounting brackets. Built-in stop, self-closing and stay closed features with a 75 lb. rated load capacity.

**SOFT-CLOSE UNDERMOUNT DRAWER GUIDE (deluxe upgrade with dovetail drawer only)** – High-quality steel, undermount construction provides soft-close feature that helps reduce drawer slamming. Drawers are full extension, self-adjusting in mounting brackets. Built-in stop, self-closing and stay closed features with a 100 lb. rated load capacity.

**HINGES** – **Standard:** Heavy-duty, high-quality steel, concealed 6-way adjustable hinge with self-closing feature. **Optional:** High-quality steel wrap-around hinge with self-closing feature (standard reveal door styles only). **Upgrade:** Gentle-Touch (soft-close) Hinge: Heavy-duty, high-quality steel, concealed 6-way hinge with 3 adjustable levels of soft close resistance.

**FINISH** – Furniture quality protective finish system on doors, drawer fronts, front frames and veneer plywood end panels consisting of sanding, stain, catalyzed sealer and catalyzed clear top coats.

## ALLWOOD CONSTRUCTION SERIES UPGRADE NOMENCLATURE

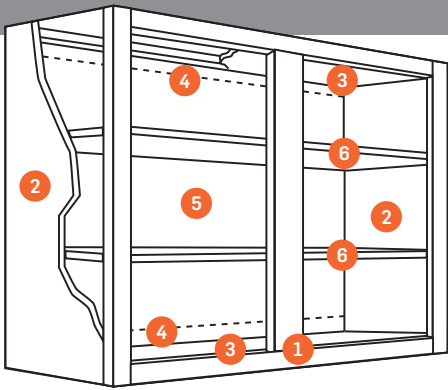
	UPGRADE CODE		UPGRADE CODE
Matching Plywood End Panels (MPE)		Dovetail Drawers with undermount guide	<b>D</b>
Oak	<b>K</b>	Soft-Close Undermount Drawer Guide	
Maple	<b>P</b>	(available for dovetail drawers only)	<b>S</b>
Cherry	<b>E</b>	Gentle-Touch (soft-close) Hinge	<b>G</b>
Rustic Alder (Cherry substituted for Rustic Alder)	<b>E</b>		

Altered Depth available for wall cabinets in 15" and 18" depth, and base cabinets 18" and 21" depth

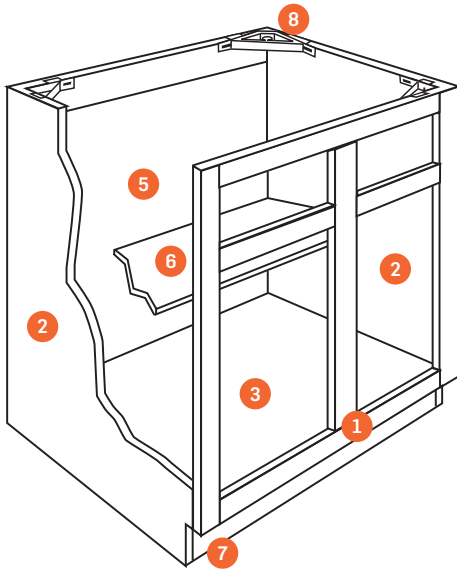
**NOTICE:** The product specifications appearing herein supersede and cancel all previous sheets, supplements and addenda, and represent current manufacturing standards and procedures.

Echelon Cabinetry reserves the right to make specification changes for continued product improvement.

For aesthetic considerations the furniture and cabinet industries have made veneer on composite panel substrate the standard method of construction for raised panel-in-frame doors in some wood species. Within the Echelon Cabinetry product line, those species include oak, birch, and maple.



- 1 **FRONT FRAME** – 3/4" Thick kiln dried solid hardwood. Pocket screw or bore and dowel construction frame joinery reinforced with glue and nail. Stiles 1 1/2" wide. Mulls 3" wide. Rails 1 3/4" wide. Stiles and top and bottom rails dadoed to receive ends, tops and bottoms.
- 2 **END PANELS** – **Standard:** Nominal 1/2" thick (12mm) multi-ply birch veneer plywood dadoed to receive tops and bottoms, with matching laminate exterior surfaces. End panels are inserted into dado in face frame and recessed 3/16". **Upgrade:** Nominal 1/2" thick (12mm) multi-ply hardwood plywood with oak, maple or cherry veneer on exterior surface and birch veneer on interior surface. All end panels are constructed with the same dado joinery as above and are recessed 3/16".



- 3 **TOP/BOTTOM PANELS** – Nominal 1/2" thick (12mm) multi-ply hardwood plywood. Tops and bottoms set into grooved end panels, and front rails glued and stapled. Bottoms are supported at rear of base cabinets by nominal 1/2" thick (12mm) multi-ply hardwood plywood.
- 4 **HANGING RAILS** – Wall cabinets have nominal 1/2" thick (12mm) x 2 7/8" high multi-ply hardwood plywood. Each is running full cabinet length at the top and bottom. Base cabinets have a nominal 1/2" thick (12mm) x 2 7/8" high multi-ply hardwood plywood hang rail at the top. Hang rails are captured between end panels recessed behind back panel for Wall cabinets and in front of back panel for Base, and Tall cabinets. Tall cabinets have nominal 3/4" (18mm) x 3" high multi-ply hardwood plywood hang rail.
- 5 **BACK PANEL** – Nominal 1/8" thick (3mm), hardwood plywood. Securely glued and stapled to end panels and hang rails. Back panels are fully captured on wall cabinets.
- 6 **SHELVES** – Nominal 5/8" thick (15mm) multi-ply hardwood plywood, with hardwood veneer banded front edge. Shelves are adjustable in all standard wall and base cabinets
- 7 **TOE KICK** – Nominal 1/2" thick (12mm) multi-ply hardwood plywood. Toe kick is 4" high and recessed 3 3/8".
- 8 **BASE CORNER BRACES** – High impact, injection molded plastic.

**DOVETAIL DRAWER** – **Standard:** Front, back and sides are 5/8" thick (16mm) solid beech hardwood with dovetail construction. Drawer bottoms are nominal 1/4" (6mm) multi-ply hardwood birch plywood inserted into dado in front, back and sides. Drawer bottoms are glued and stapled to sides.

**SOFT-CLOSE UNDERMOUNT DRAWER GUIDE** – **Standard:** High-quality steel, undermount construction provides soft-close feature that helps reduce drawer slamming. Drawers are full extension, self-adjusting in mounting brackets. Built-in stop, self-closing and stay closed features with a 100 lb. rated load capacity.

**HINGES** – **Standard:** Gentle-Touch (soft-close) Hinge: Heavy-duty, high-quality steel, concealed 6-way hinge with 3 adjustable levels of soft close resistance.

**FINISH** – Furniture quality protective finish system on doors, drawer fronts, front frames and veneer plywood end panels consisting of sanding, stain, catalyzed sealer and catalyzed clear top coats.

## PINNACLE CONSTRUCTION SERIES UPGRADE NOMENCLATURE

### UPGRADE CODE

Matching Plywood End Panels (MPE)	
Maple.....	P
Cherry.....	E
Rustic Alder (Cherry substituted for Rustic Alder) ....	E

Altered Depth available for wall cabinets in 15" and 18" depth, and base cabinets 18" and 21" depth

**NOTICE:** The product specifications appearing herein supersede and cancel all previous sheets, supplements and addenda, and represent current manufacturing standards and procedures.

Echelon Cabinetry reserves the right to make specification changes for continued product improvement.

For aesthetic considerations the furniture and cabinet industries have made veneer on composite panel substrate the standard method of construction for raised panel-in-frame doors in some wood species. Within the Echelon Cabinetry product line, those species include oak, birch, and maple.



## GENTLE-TOUCH (SOFT-CLOSE) HINGE UPGRADE

- Heavy-duty, high-quality steel, concealed 6-way hinge
- Features a new adjustable switch that allows you to customize the Gentle-Touch 3 level resistance for any door size
- Hinges come factory set at the highest level of resistance
- Hinge may be ordered separately for field installation



## STAINLESS STEEL TILT-OUT TRAY CABINETS

- High-quality, stainless steel, tilt-out tray
- Heavy-duty, high-quality steel soft-close hinge
- Available factory installed on select sink base cabinets



## DOVETAIL DRAWER UPGRADES

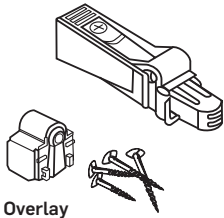
- 5/8" thick (16mm) solid beech hardwood with dovetail joints available for AllWood and Premier construction series
- Drawer bottoms are 1/4" thick (6mm) multi-ply hardwood birch plywood inserted into dado in front, back and sides
- Drawer bottoms are glued and stapled
- Full access undermount drawer guide features:
  - + Self adjust in rear mounting brackets
  - + Built-in stop, self closing and stay closed feature
  - + 75lb rated load capacity
- Available in 24", 21" and 18" deep cabinets
- Deep drawers on DB30 and DB36 cabinets automatically comes with soft-close (SC) action for 100lb rated load capacity
- Dovetail Drawer (includes undermount guides) offers enhanced appearance and superior strength



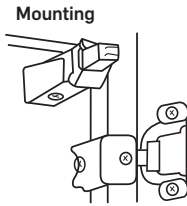
## SOFT-CLOSE DRAWER FEATURE

- Available with dovetail drawers only
- Vertical drawer adjustment on drawer guide bottom behind drawer front
- Quiet-close helps reduce drawer slamming and bounce back. Full-extension undermount guide opens drawer to provide easy access and reach all contents





Partial Overlay  
Spacer and Screws



Mounting

### SOFT-CLOSE DOOR DAMPENER

- Quiet-close helps reduce door slamming and bounce back
- Offered individually in poly bag for field installation only
- Adjustable smooth door closure provided by soft-close technology
- For use with all standard reveal and full overlay door styles
- Not for use in BEC24, all WEC's, and BTC12 cabinets
- Not recommended for use in BRC33, BRC36, BSQC36, and CAR36 cabinets
- One required per door. Tall UC and PC doors require two per door on top and bottom
- Includes mounting hardware
- Mounts on frame of cabinet on hinge side independent of hinge

SCD Soft-close door dampener (shipped separately field installation)

## DECIMAL TO FRACTION CHART

### DECIMAL TO FRACTION EQUIVALENTS

			1/8"				1/4"			
	1/16"		2/16"				2/8"			
1/32"	2/32"	3/32"	4/32"	5/32"	6/32"	7/32"	8/32"	9/32"	10/32"	11/32"
<b>.03125</b>	<b>.06250</b>	<b>.09375</b>	<b>.12500</b>	<b>.15625</b>	<b>.18750</b>	<b>.21875</b>	<b>.25000</b>	<b>.28125</b>	<b>.31250</b>	<b>.34375</b>

3/8"				4/8"				5/8"		
6/16"		7/16"		8/16"		9/16"		10/16"		11/16"
12/32"	13/32"	14/32"	15/32"	16/32"	17/32"	18/32"	19/32"	20/32"	21/32"	22/32"
<b>.37500</b>	<b>.06250</b>	<b>.43750</b>	<b>.46875</b>	<b>.50000</b>	<b>.53125</b>	<b>.56240</b>	<b>.59375</b>	<b>.62500</b>	<b>.65625</b>	<b>.68750</b>

	3/4"								4/4"	
	6/8"				7/8"				8/8"	
	12/16"		13/16"		14/16"		15/16"		16/16"	
23/32"	24/32"	25/32"	26/32"	27/32"	28/32"	29/32"	30/32"	31/32"	32/32"	
<b>.71875</b>	<b>.75000</b>	<b>.78125</b>	<b>.81250</b>	<b>.84375</b>	<b>.87250</b>	<b>.90625</b>	<b>.93750</b>	<b>.96875</b>	<b>1.0000</b>	



**W 30 42**

Wall Cabinet — 30" Width — 42" Height

**CW S 24 30 L or R**

Corner Wall Cabinet — Lazy Susan — 24" Width Ea. Direction — 30" Height — Left or Right Door Hinge

**BL PW 27/30 42 L or R**

Blind Cabinet — Peninsula Wall — 27"-30" Width — 42" Height — Left or Right Door Hinge

**B 27 BD ST4**

Base Cabinet — 27" Width — Butt Door — With 4 Shelf Trays

**B SQC 36 L or R**

Base Cabinet — Square Corner — 36" Width — Left or Right Door Hinge

**UC 18 24 x 96 L or R**

Utility Cabinet — 18" Wide — 24" Deep — 96" Height — Left or Right Door Hinge

**V DB 18**

Vanity Cabinet 21" Deep — Drawer Base — 18" Wide

**V 48**

Vanity Cabinet 21" Deep — 48" Wide

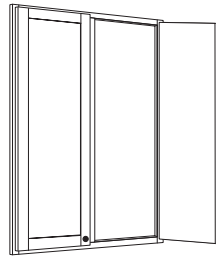
■ = Available with Upcharge   ♦ = Included as Standard Construction   + = Available with Exception   no symbol = Not Available

## CABINET FRONT ONLY (CFO)

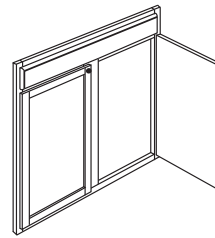
- Front frame, doors, and drawer fronts only
- Toe kick attached when ordering SINKFRONT.ONLY
- **We recommend using this option on cabinetry without installed accessories since all interior components would be eliminated except for face frame, doors, and drawer fronts**

### ORDER CODES

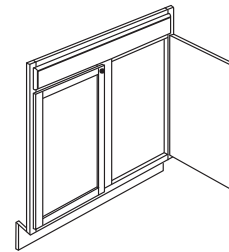
- WALLFRONT.ONLY
- BASEFRONT.ONLY
- SINKFRONT.ONLY



WALLFRONT.ONLY



BASEFRONT.ONLY



SINKFRONT.ONLY

<input checked="" type="checkbox"/> CFO – Cabinet Front Only
<input type="checkbox"/> AD – Altered Depth
<input type="checkbox"/> DGW – Glass Door Cabinet
<input type="checkbox"/> MW – Mullion Door Cabinet
<input type="checkbox"/> FI – Finished Interior
<input type="checkbox"/> AW – AllWood Option
<input type="checkbox"/> MPE – Matching Plywood Ends

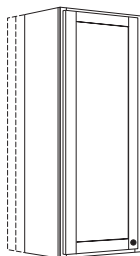
**2020 ORDER EXAMPLE:  
WALLFRONT.ONLY, BASEFRONT.ONLY or SINKFRONT.ONLY**

## ALTERED DEPTH (AD)

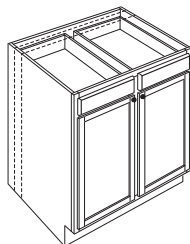
### ALTERED DEPTH OPTIONS

- Most **Wall Cabinets** can be increased to 15" or 18" deep
- Select 24" deep **Base Cabinets** can be decreased to 21" or 18" deep
- Most 21" deep **Vanity Cabinets** can be decreased to 18" deep
- Select 24" deep **Universal Access Cabinets** can be decreased to 21" or 18" deep
- **Deluxe Shelf Tray Kits** can be decreased to 21" or 18" deep
- **Maximum cabinet width and height for this option is 42". This option is not available with peninsula wall cabinets.**

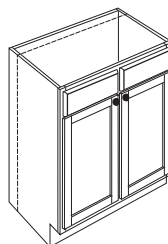
<input type="checkbox"/> CFO – Cabinet Front Only
<input checked="" type="checkbox"/> AD – Altered Depth
<input type="checkbox"/> DGW – Glass Door Cabinet
<input type="checkbox"/> MW – Mullion Door Cabinet
<input type="checkbox"/> FI – Finished Interior
<input type="checkbox"/> AW – AllWood Option
<input type="checkbox"/> MPE – Matching Plywood Ends



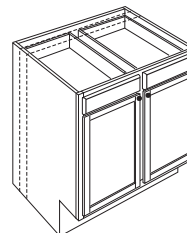
Wall Cabinets



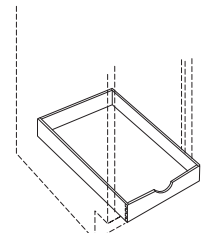
Base Cabinets



Vanity Cabinets



Universal Access Cabinets



Deluxe Shelf Tray Kits

**2020 ORDER EXAMPLE:  
W3030 choose "Attributes" and then choose add-ons then "Altered Depth Option"**

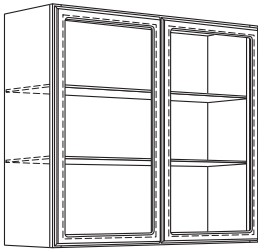
■ = Available with Upcharge    ❖ = Included as Standard Construction    + = Available with Exception    no symbol = Not Available

## GLASS DOOR CABINET (DGW)

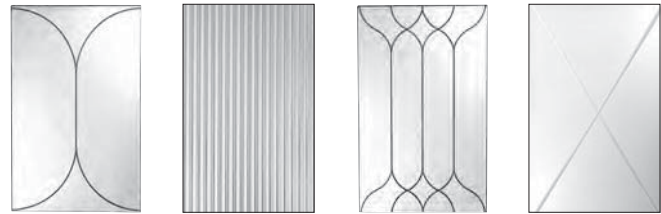
### DOORS CUT FOR GLASS

- Doors are bored for concealed hinges
- Hinges are not included (see page 204 for hinge choice options)
- Gentle-Touch hinges (soft-close) are available (see page 204 for hinge choice options)
- **Glass not included** (see page 196-198 for glass insert options)
- **Glass inserts are shipped with kitchen order**
- Vinyl retainer or retention clips are shipped with glass inserts for easy installation with doors cut for glass cabinets
- See page 43 for specific door style availability

<input type="checkbox"/>	CFO – Cabinet Front Only
<input type="checkbox"/>	AD – Altered Depth
<input checked="" type="checkbox"/>	<b>DGW – Glass Door Cabinet</b>
<input type="checkbox"/>	MW – Mullion Door Cabinet
<input type="checkbox"/>	FI – Finished Interior
<input type="checkbox"/>	AW – AllWood Option
<input type="checkbox"/>	MPE – Matching Plywood Ends



DGW3630 shown



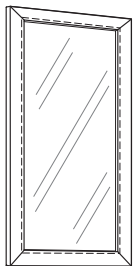
To see our full line of glass inserts see pages 196-197

**2020 ORDER EXAMPLE:**  
**DGW3630 choose "Attributes" and then select add-ons then decorative glass**

## VETRO ALUMINUM DOORS

- **Standard 5/32" thick Frosted Etch Glass installed in each Vetro door**
- Doors are bored for concealed hinges
- 42" high doors require 3 hinges per door. 36", 30" and 24" high doors require 2 hinges per door
- Order 1/4" overlay hinges (FERCONHINGE) or Gentle-Touch hinge (GNTLTCHHNGFO) soft-close separately (see page 204 for hinge choice options)
- Order bumper pads separately (see page 204 for bumper pads)
- **Glass inserts are shipped with kitchen order**
- See page 43 for specific door style availability

<input type="checkbox"/>	CFO – Cabinet Front Only
<input type="checkbox"/>	AD – Altered Depth
<input checked="" type="checkbox"/>	<b>DGW – Glass Door Cabinet</b>
<input type="checkbox"/>	MW – Mullion Door Cabinet
<input type="checkbox"/>	FI – Finished Interior
<input type="checkbox"/>	AW – AllWood Option
<input type="checkbox"/>	MPE – Matching Plywood Ends



ALDCG1836 shown

**2020 ORDER EXAMPLE:**  
**ALDCG1836 found in "Accessories" under vetro aluminum doors**

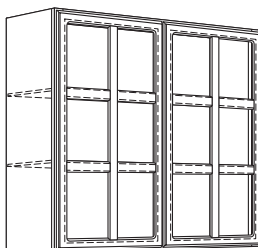
**2020 ORDER EXAMPLE:**  
**W1530 choose "Attributes" and then select add-ons then vetro aluminum doors**

■ = Available with Upcharge   ❖ = Included as Standard Construction   + = Available with Exception   no symbol = Not Available

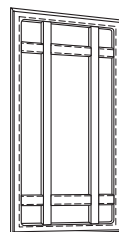
## MULLION DOOR CABINET (MW)

- Doors are bored for concealed hinges
- Hinges are not included (see page 204 for hinge choice options)
- Gentle-Touch hinges (soft-close) are available (see page 204 for hinge choice options)
- **Glass not included** (see page 196-198 for glass insert options)
- **Glass inserts are shipped with kitchen order**
- Vinyl retainer or retention clips are shipped with glass inserts for easy installation with mullion door cabinets
- See page 43 for specific door style availability
- **Ardmore, Edinburgh, and Rossiter have Mission Style Mullions only**

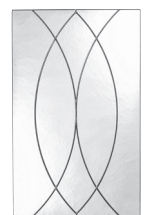
<input type="checkbox"/>	CFO – Cabinet Front Only
<input type="checkbox"/>	AD – Altered Depth
<input type="checkbox"/>	DGW – Glass Door Cabinet
<input checked="" type="checkbox"/>	<b>MW – Mullion Door Cabinet</b>
<input type="checkbox"/>	FI – Finished Interior
<input type="checkbox"/>	AW – AllWood Option
<input type="checkbox"/>	MPE – Matching Plywood Ends



MW3630 shown



Mission Mullions



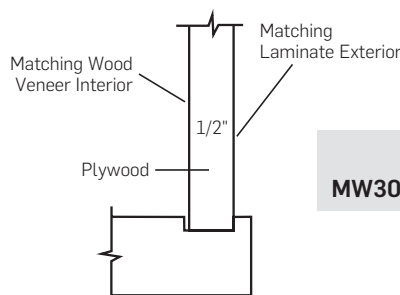
To see our full line of glass inserts see pages 196-197

**2020 ORDER EXAMPLE:**  
**MW3630 choose “Attributes” and then select add-ons then decorative glass**

## FINISHED INTERIOR (FI)

- **Individual cabinets only**
- Finished Interior option is available in AllWood Construction only
- **Finished Interior option is recommended for all cabinets with glass doors**
- **Refer to Finished Interior option box for availability for your desired cabinets**
- Backside of face frame is unfinished

<input type="checkbox"/>	CFO – Cabinet Front Only
<input type="checkbox"/>	AD – Altered Depth
<input type="checkbox"/>	DGW – Glass Door Cabinet
<input type="checkbox"/>	MW – Mullion Door Cabinet
<input checked="" type="checkbox"/>	<b>FI – Finished Interior</b>
<input type="checkbox"/>	AW – AllWood Option
<input type="checkbox"/>	MPE – Matching Plywood Ends



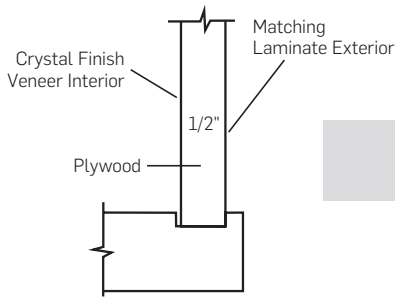
**2020 ORDER EXAMPLE:**  
**MW3030 choose “Attributes” and then select add-ons then “Finished Interior” (FI) option**

■ = Available with Upcharge    ❖ = Included as Standard Construction    + = Available with Exception    no symbol = Not Available

### ALLWOOD OPTION (AW)

- This construction option affects the entire cabinet
- **AW option is available for Full or Partial kitchen orders**
- AllWood plywood construction is available for all cabinets
- **Plywood end panels do not receive glaze detailing**

<input type="checkbox"/> CFO – Cabinet Front Only
<input type="checkbox"/> AD – Altered Depth
<input type="checkbox"/> DGW – Glass Door Cabinet
<input type="checkbox"/> MW – Mullion Door Cabinet
<input type="checkbox"/> FI – Finished Interior
<input checked="" type="checkbox"/> <b>AW – AllWood Option</b>
<input type="checkbox"/> MPE – Matching Plywood Ends

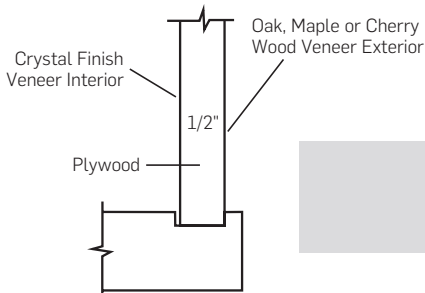


**2020 ORDER EXAMPLE:**  
Select AllWood (AW) in construction series

### MATCHING PLYWOOD END PANELS (MPE)

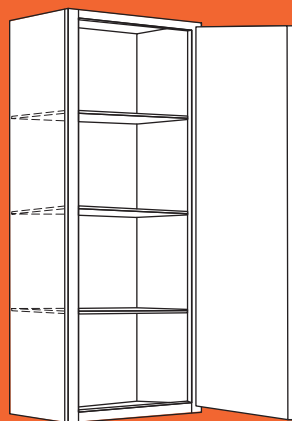
- This construction option affects cabinet end panels only
- **MPE option is available for Full or Partial kitchen orders**
- 1/2" plywood end panels are available for most cabinets
- Shelves, ceilings, and floors remain as composite wood with maple grained laminate on exposed faces
- **Consult Matching Plywood Ends option box (MPE) for availability of the desired cabinet**
- **Matching Plywood End Panels do not receive glaze detailing**

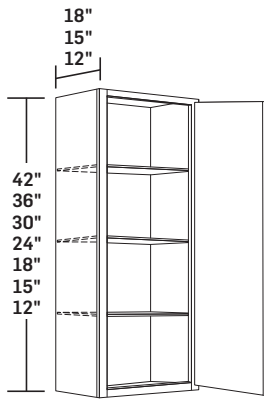
<input type="checkbox"/> CFO – Cabinet Front Only
<input type="checkbox"/> AD – Altered Depth
<input type="checkbox"/> DGW – Glass Door Cabinet
<input type="checkbox"/> MW – Mullion Door Cabinet
<input type="checkbox"/> FI – Finished Interior
<input type="checkbox"/> AW – AllWood Option
<input checked="" type="checkbox"/> <b>MPE – Matching Plywood Ends</b>



**2020 ORDER EXAMPLE:**  
W3030 choose "Attributes" and then select add-ons then "Matching Veneer Plywood End Panel Upgrade"

# WALL CABINETS





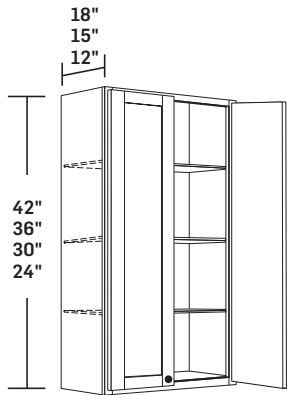
42" high shown

**SINGLE DOOR WALL CABINETS**

- 42" high cabinets have three 5/8" thick adjustable shelves  
36" and 30" high cabinets have two 5/8" thick adjustable shelves  
24" and 18" high cabinets have one 5/8" thick adjustable shelf  
15" and 12" high cabinets do not have shelves
- 42" high cabinets have three hinges per door  
36", 30", 24", 18", 15" and 12" high cabinets have two hinges per door
- **Carlisle is not available on W2442, W2436, W2430, and W2424 (see Butt Door wall cabinets)**
- Specify L or R door hinging
- See page 43 for MW and DGW availability by door style

CFD
AD
DGW
MW
FI
AW
MPE

	Mullion Doors Cabinets (MW)	Doors Cut For Glass Cabinets (DGW)
<b>42" HIGH (3 shelves)</b>		
W0942 L or R		
W1242 L or R		
W1542 L or R	MW1542 L or R	DGW1542 L or R
W1842 L or R	MW1842 L or R	DGW1842 L or R
W2142 L or R	MW2142 L or R	DGW2142 L or R
W2442 L or R		
<b>36" HIGH (2 shelves)</b>		
W0936 L or R		
W1236 L or R		
W1536 L or R	MW1536 L or R	DGW1536 L or R
W1836 L or R	MW1836 L or R	DGW1836 L or R
W2136 L or R	MW2136 L or R	DGW2136 L or R
W2436 L or R		
<b>30" HIGH (2 shelves)</b>		
W0930 L or R		
W1230 L or R		
W1530 L or R	MW1530 L or R	DGW1530 L or R
W1830 L or R	MW1830 L or R	DGW1830 L or R
W2130 L or R	MW2130 L or R	DGW2130 L or R
W2430 L or R		
<b>24" HIGH (1 shelf)</b>		
W1224 L or R		
W1524 L or R	MW1524 L or R	DGW1524 L or R
W1824 L or R	MW1824 L or R	DGW1824 L or R
W2124 L or R		
W2424 L or R		
<b>18" HIGH (1 shelf)</b>		
W1218 L or R		DGW1218 L or R
W1518 L or R		DGW1518 L or R
W1818 L or R		DGW1818 L or R
W2118 L or R		DGW2118 L or R
W2418SD L or R		DGW2418SD L or R
<b>15" HIGH (no shelf)</b>		
W1515 L or R		DGW1515 L or R
W1815 L or R		DGW1815 L or R
<b>12" HIGH (no shelf)</b>		
W1512 L or R		DGW1512 L or R
W1812 L or R		DGW1812 L or R



42" high shown

## BUTT DOOR WALL CABINETS

- 42" high cabinets have three 5/8" thick adjustable shelves  
36" and 30" high cabinets have two 5/8" thick adjustable shelves  
24" high cabinets have one 5/8" thick adjustable shelf
- 42" high cabinets have three hinges per door  
36", 30", and 24" high cabinets have two hinges per door
- **27", 30", and 33" wide cabinets are not available in Arch Door Styles**

■	CFO
■	AD
■	DGW
■	MW
■	FI
■	AW
■	MPE

### 42" HIGH (3 shelves)

W2442BD  
W2742BD  
W3042BD  
W3342BD

### 30" HIGH (2 shelves)

W2430BD  
W2730BD  
W3030BD  
W3330BD

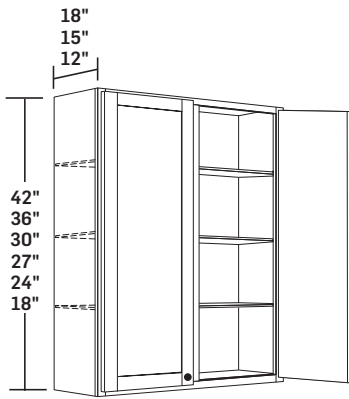
### 36" HIGH (2 shelves)

W2436BD  
W2736BD  
W3036BD  
W3336BD

### 24" HIGH (1 shelf)

W2724BD  
W3024BD  
W3324BD





42" high shown

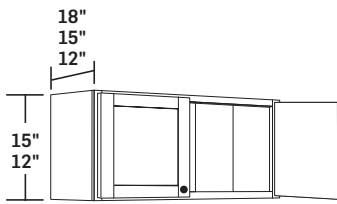
### DOUBLE DOOR WALL CABINETS

- 42" high cabinets have three 5/8" thick adjustable shelves  
36", 30" and 27" high cabinets have two 5/8" thick adjustable shelves  
24", 21" and 18" high cabinets have one 5/8" thick adjustable shelf
- 42" high cabinets have three hinges per door  
36", 30", 27", 24", 21" and 18" high cabinets have two hinges per door
- **Carlisle has four butt doors on 48" wide cabinets**
- **W4542, W4842, W4536, W4836, W4530 and W4830 are not available in Altered Depth**
- **27" and 21" high cabinets are not available in Arch Door Styles**
- **See page 43 for MW and DGW availability by door style**

■ CFO
■ AD
■ DGW
■ MW
■ FI
■ AW
■ MPE

	Mullion Doors Cabinets (MW)	Doors Cut For Glass Cabinets (DGW)
<b>42" HIGH (3 shelves)</b>		
W2742		
W3042	MW3042	DGW3042
W3342		
W3642	MW3642	DGW3642
W3942		
W4242	MW4242	DGW4242
W4542		
W4842		
<b>36" HIGH (2 shelves)</b>		
W2736		
W3036	MW3036	DGW3036
W3336		
W3636	MW3636	DGW3636
W3936		
W4236	MW4236	DGW4236
W4536		
W4836		
<b>30" HIGH (2 shelves)</b>		
W2730		
W3030	MW3030	DGW3030
W3330		
W3630	MW3630	DGW3630
W3930		
W4230	MW4230	DGW4230
W4530		
W4830		
<b>27" HIGH (2 shelves)</b>		
W3027		
W3327		
W3627		

	Mullion Doors Cabinets (MW)	Doors Cut For Glass Cabinets (DGW)
<b>24" HIGH (1 shelf)</b>		
W2724		
W3024	MW3024	DGW3024
W3324		
W3624	MW3624	DGW3624
W3924		
W4224		
W4524		
W4824		
<b>21" HIGH (1 shelf)</b>		
W3021		
W3321		
W3621		
<b>18" HIGH (1 shelf)</b>		
W2418		
W2718		DGW2718
W3018		
W3318		DGW3318
W3618		
W3918		DGW3918
W4218		



15" high shown

### DOUBLE DOOR WALL CABINETS

- Cabinets have two hinges per door
- **12" high cabinets are not available in Altered Depth**

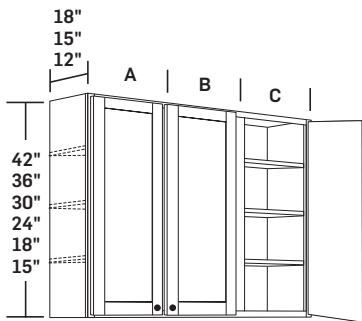
#### 15" HIGH (no shelf)

W3015  
W3315  
W3615  
W3915

#### 12" HIGH (no shelf)

W3012  
W3312  
W3612  
W3912

CFD
AD
DGW
MW
FI
AW
MPE



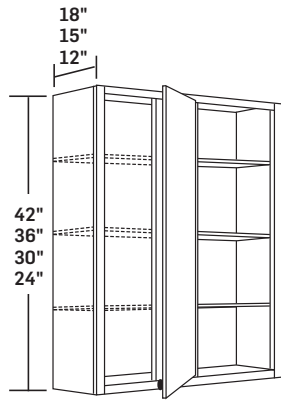
42" high shown

### TRIPLE DOOR WALL CABINETS

- 42" high cabinets have three 5/8" thick adjustable shelves  
36" and 30" high cabinets have two 5/8" thick adjustable shelves  
24" and 18" high cabinets have one 5/8" thick adjustable shelf  
15" high cabinets have no shelf
- 42" high cabinets have three hinges per door  
36", 30", 24", 18" and 15" high cabinets have two hinges per door
- **24" and 18" high cabinets are offered in altered depths**
- **See page 43 for MW and DGW availability by door style**
- **NOTE: Hinging is only available as L, R, and R only**

CFD
AD
DGW
MW
FI
AW
MPE

	Mullion Doors Cabinets (MW)	Doors Cut For Glass Cabinets (DGW)
<b>42" HIGH (3 shelves)</b>		
A B C		
W4542-3 (15", 15", 15")	MW4542-3	DGW4542-3
W4842-3 (15", 18", 15")	MW4842-3	DGW4842-3
<b>36" HIGH (2 shelves)</b>		
W4536-3 (15", 15", 15")	MW4536-3	DGW4536-3
W4836-3 (15", 18", 15")	MW4836-3	DGW4836-3
<b>30" HIGH (2 shelves)</b>		
W4530-3 (15", 15", 15")	MW4530-3	DGW4530-3
W4830-3 (15", 18", 15")	MW4830-3	DGW4830-3
<b>24" HIGH (1 shelf)</b>		
W4524-3 (15", 15", 15")	MW4524-3	DGW4524-3
W4824-3 (15", 18", 15")	MW4824-3	DGW4824-3
<b>18" HIGH (1 shelf)</b>		
W4818 (15", 18", 15")		
W4518-3 (15", 15", 15")		DGW4518-3
<b>15" HIGH (no shelf)</b>		
W4815-3 (15", 18", 15")		DGW4815-3
W4515-3 (15", 15", 15")		DGW4515-3



42" high shown

**SINGLE DOOR BLIND WALL CABINETS**

- 42" high cabinets have three 5/8" thick adjustable shelves  
36" and 30" high cabinets have two 5/8" thick adjustable shelves  
24" high cabinets have one 5/8" thick adjustable shelf
- 42" high cabinets have three hinges per door  
36", 30", and 24" high cabinets have two hinges per door
- **Carlisle has two butt doors on BLW36/39 wide cabinets**
- Specify L or R door hinging and blind location
- See page 61 for blind cabinet installation instructions
- **Filler must be used. Filler sold separately. Allow 15" to turn corner. Cabinets may be pulled up to 4".**
- In Full Overlay styles order OBLW\_ \_ Filler Overlay (pages 149)

CFO
AD
DGW
MW
FI
AW
MPE

**42" HIGH (3 shelves)**

- BLW24/2742 L or R
- BLW27/3042 L or R
- BLW30/3342 L or R
- BLW33/3642 L or R
- BLW36/3942 L or R

**30" HIGH (2 shelves)**

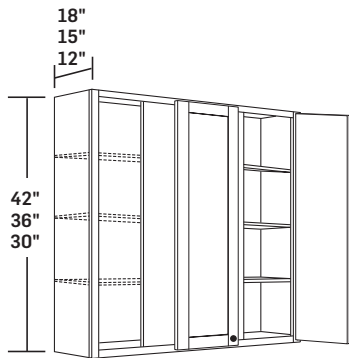
- BLW24/2730 L or R
- BLW27/3030 L or R
- BLW30/3330 L or R
- BLW33/3630 L or R
- BLW36/3936 L or R

**36" HIGH (2 shelves)**

- BLW24/2736 L or R
- BLW27/3036 L or R
- BLW30/3336 L or R
- BLW33/3636 L or R
- BLW36/3936 L or R

**24" HIGH (1 shelf)**

- BLW24/2724 L or R



42" high shown

**DOUBLE DOOR BLIND WALL CABINETS**

- 42" high cabinets have three 5/8" thick adjustable shelves  
36" and 30" high cabinets have two 5/8" thick adjustable shelves
- 42" high cabinets have three hinges per door  
36" and 30" high cabinets have two hinges per door
- Specify L or R door hinging and blind location
- See page 61 for blind cabinet installation instructions
- **Filler must be used. Filler sold separately. Allow 15" to turn corner. Cabinets may be pulled up to 4".**
- In Full Overlay styles order OBLW\_ \_ Filler Overlay (pages 149)

CFO
AD
DGW
MW
FI
AW
MPE

**42" HIGH (3 shelves)**

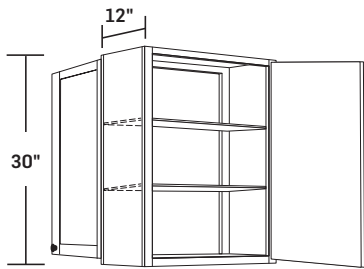
- BLW39/4242 L or R
- BLW42/4542 L or R

**30" HIGH (2 shelves)**

- BLW39/4230 L or R
- BLW42/4530 L or R
- BLW45/4830 L or R
- BLW48/5130 L or R

**36" HIGH (2 shelves)**

- BLW39/4236 L or R
- BLW42/4536 L or R



30" high shown

## SINGLE DOOR PENINSULA WALL CABINETS

- Two 5/8" thick adjustable shelves
- Two hinges per door
- Single door front and rear
- Specify L or R door hinging
- **Carlisle has two butt doors on PW2430**
- **See page 43 for MW and DGW availability by door style**

CFO
AD
■ DGW
■ MW
■ FI
■ AW
■ MPE

Mullion Doors  
Cabinets (MW)

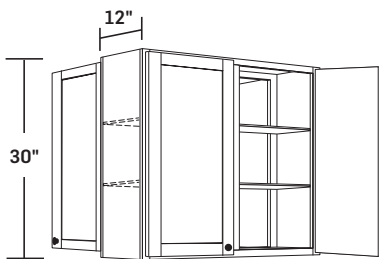
Doors Cut For Glass  
Cabinets (DGW)

### 30" HIGH (2 shelves)

PW2130 L or R  
PW2430 L or R

PMW2130 L or R

PDGW2130 L or R



30" high shown

## DOUBLE DOOR PENINSULA WALL CABINETS

- Two 5/8" thick adjustable shelves
- Two hinges per door
- Double door front and rear
- **See page 43 for MW and DGW availability by door style**

CFO
AD
■ DGW
■ MW
■ FI
■ AW
■ MPE

Mullion Doors  
Cabinets (MW)

Doors Cut For Glass  
Cabinets (DGW)

### 30" HIGH (2 shelves)

PW3030  
PW3630

PMW3030  
PMW3630

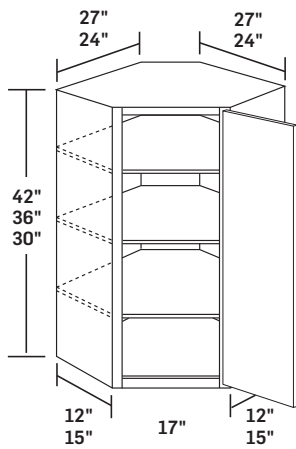
PDGW3030  
PDGW3630

### 24" HIGH (1 shelf)

PW3024  
PW3624

PMW3024  
PMW3624

PDGW3024  
PDGW3624



42" high shown

**12" and 15" DEEP SINGLE DOOR CORNER WALL CABINETS**

- 42" high cabinets have three 5/8" thick adjustable shelves  
36" and 30" high cabinets have two 5/8" thick adjustable shelves  
18" high cabinet has one 5/8" thick adjustable shelf
- 42" high cabinets have three hinges per door  
36", 30" and 18" high cabinets have two hinges per door
- Specify L or R door hinging
- For full overlay door styles, it is recommended to place fillers to the left and right of corner wall cabinet to ensure proper door operation
- **See page 43 for MW and DGW availability by door style**

CFO
AD
DGW
MW
FI
AW
MPE

Mullion Doors Cabinets (MW)	Doors Cut For Glass Cabinets (DGW)
-----------------------------	------------------------------------

**42" HIGH (3 shelves)**

CW2442 L or R (12" deep)	MCW2442 L or R	DGCW2442 L or R
CW2742 L or R (15" deep)	MCW2742 L or R	DGCW2742 L or R

**36" HIGH (2 shelves)**

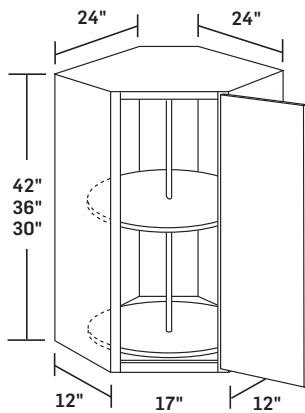
CW2436 L or R (12" deep)	MCW2436 L or R	DGCW2436 L or R
CW2736 L or R (15" deep)	MCW2736 L or R	DGCW2736 L or R

**30" HIGH (2 shelves)**

CW2430 L or R (12" deep)	MCW2430 L or R	DGCW2430 L or R
CW2730 L or R (15" deep)	MCW2730 L or R	DGCW2730 L or R

**18" HIGH (1 shelf)**

CW2418 L or R (12" deep)
--------------------------



42" high shown

**12" DEEP SINGLE DOOR CORNER WALL CABINETS WITH LAZY SUSAN**

- 42", 36" and 30" high cabinets have adjustable lazy susan
- 42" high cabinets have three hinges per door  
36" and 30" high cabinets have two hinges per door
- Two high impact plastic shelves rotate together
- Includes center post and installation hardware
- 18" diameter white color shelves
- Specify L or R door hinging
- For full overlay door styles, it is recommended to place fillers to the left and right of corner wall cabinet to ensure proper door operation

CFO
AD
DGW
MW
FI
AW
MPE

**42" HIGH (3 shelves)**

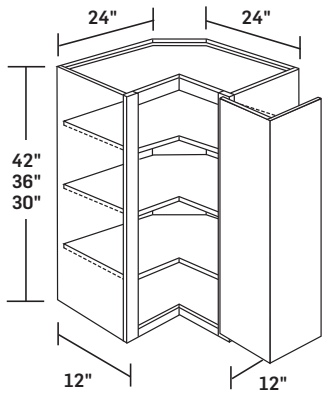
CWS2442 L or R
----------------

**36" HIGH (2 shelves)**

CWS2436 L or R
----------------

**30" HIGH (2 shelves)**

CWS2430 L or R
----------------



42" high shown

## SINGLE DOOR SQUARE CORNER WALL CABINETS

- 42" high cabinets have three 5/8" thick adjustable shelves  
36" and 30" high cabinets have two 5/8" thick adjustable shelves
- 42" high cabinets have three hinges per door  
36" and 30" high cabinets have two hinges per door
- Specify L or R door hinging
- **Gentle-Touch (soft-close) hinge not available**

### 42" HIGH (3 shelves)

WSQC2442 L or R

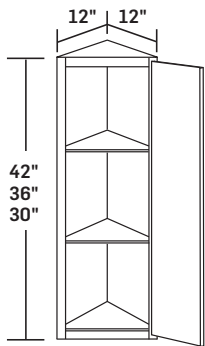
### 30" HIGH (2 shelves)

WSQC2430 L or R

### 36" HIGH (2 shelves)

WSQC2436 L or R

CFO
AD
DGW
MW
FI
AW
MPE



42" high shown

## SINGLE DOOR WALL END CABINETS

- Two 5/8" thick fixed shelves
- 42" high cabinets have three hinges per door  
36" and 30" high cabinets have two hinges per door
- Specify L or R door hinging
- **Gentle-Touch (soft-close) hinge not available on Full Overlay door styles**
- End panels are not finished

### 42" HIGH (2 shelves)

WEC1242 L or R

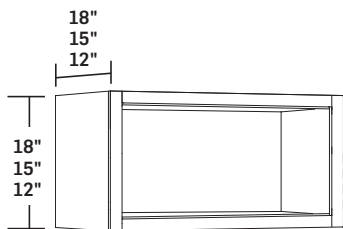
### 30" HIGH (2 shelves)

WEC1230 L or R

### 36" HIGH (2 shelves)

WEC1236 L or R

CFO
AD
DGW
MW
FI
AW
MPE



18" high shown

## OPEN WALL CABINETS

- AllWood construction only, comes with oak, maple, or cherry plywood finished interiors
- **Altered depth not available in 12" high wall cabinets**

### 18" HIGH (no shelf)

WOC2418

WOC2718

WOC3018

WOC3318

WOC3618

### 12" HIGH (no shelf)

WOC2412

WOC2712

WOC3012

WOC3312

WOC3612

### 15" HIGH (no shelf)

WOC2415

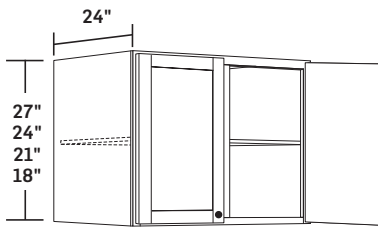
WOC2715

WOC3015

WOC3315

WOC3615

CFO
AD
DGW
MW
FI
AW
MPE



24" high shown

### 24" DEEP DOUBLE DOOR REFRIGERATOR CABINETS

- 27" high cabinets have two 5/8" thick adjustable shelves  
24", 21" and 18" high cabinets have one 5/8" thick adjustable shelf
- Two hinges per door
- **Must be installed between walls and/or tall cabinetry of equal or greater depth for support**
- **27" and 21" high wall cabinets not available in Arched door styles**

■ CFO
AD
DGW
MW
■ FI
■ AW
■ MPE

#### 27" HIGH (2 shelves)

W3027x24  
W3327x24

#### 21" HIGH (1 shelf)

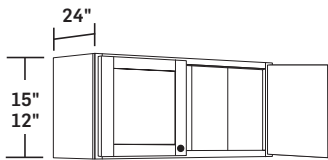
W3021x24  
W3321x24  
W3621x24

#### 24" HIGH (1 shelf)

W3024x24  
W3324x24  
W3624x24  
W3924x24

#### 18" HIGH (1 shelf)

W3018x24  
W3318x24  
W3618x24  
W3918x24



15" high shown

### 24" DEEP DOUBLE DOOR REFRIGERATOR CABINETS

- Two hinges per door
- **Must be installed between walls and/or tall cabinetry of equal or greater depth for support**

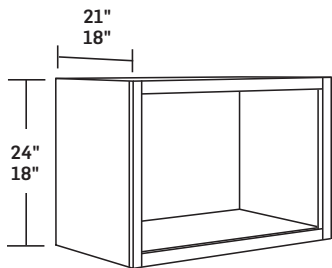
■ CFO
AD
DGW
MW
■ FI
■ AW
■ MPE

#### 15" HIGH (no shelf)

W3015x24  
W3315x24  
W3615x24

#### 12" HIGH (no shelf)

W3012x24  
W3312x24  
W3612x24  
W3912x24



24" high shown

### 18" AND 21" DEEP MICROWAVE CABINETS

- Microwave cabinets do not come with finished interiors in Premier construction
- AllWood construction only, comes with oak, maple, or cherry plywood finished interiors
- MC3024x21 and MC3024x18 has a 27" w x 20-1/2" h opening  
MC2718x21 and MC2718x18 has a 24" w x 14-1/2" h opening  
MC2418x21 and MC2418x18 has a 21" w x 14-1/2" h opening
- **This cabinet must be installed between walls and/or adjacent cabinetry of equal depth**

CFO
AD
DGW
MW
❖ FI
❖ AW
MPE

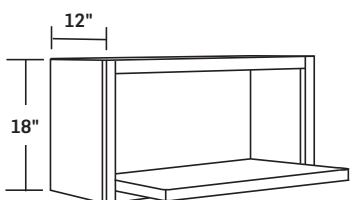
#### 24" HIGH

**NEW** MC3024x21  
MC3024x18

#### 18" HIGH

**NEW** MC2718x21  
MC2718x18

**NEW** MC2418x21  
MC2418x18



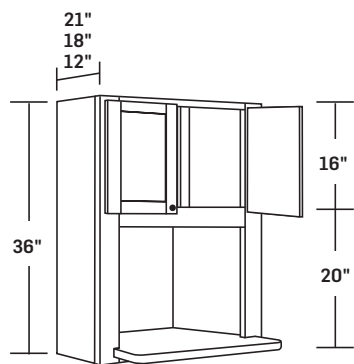
### 12" DEEP MICROWAVE CABINETS WITH SHELF

- Shelf is 18" deep x 3/4" thick
- Outside corners of shelf have a slight radius
- Shelves are oak, maple, or cherry veneered composite panel
- Microwave cabinets do not come with finished interiors in Premier construction
- AllWood construction only, comes with oak, maple, or cherry plywood finished interiors
- MCS2418x12 has a 21" w x 14-1/2" h opening excluding 3/4" shelf  
MCS2718x12 has a 24" w x 14-1/2" h opening excluding 3/4" shelf  
MCS3018x12 has a 27" w x 14-1/2" h opening excluding 3/4" shelf

CFO
AD
DGW
MW
❖ FI
❖ AW
MPE

#### 18" HIGH

MCS2718x12  
MCS3018x12



MCS3036x12 shown

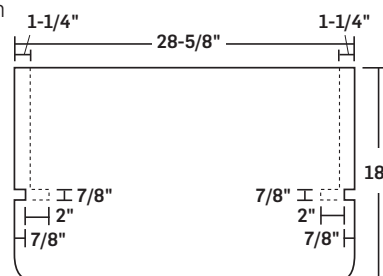
### 21", 18" AND 12" DEEP MICROWAVE CABINETS WITH OR WITHOUT SHELF

- Shelf is 18" deep x 3/4" thick
- Outside corners of shelf have a slight radius
- **Shelf must be notched for field installation**
- Shelves are oak, maple, or cherry veneered composite panel
- Microwave cabinets do not come with finished interiors in Premier construction
- AllWood construction only, comes with oak, maple, or cherry plywood finished interiors
- MC3036 has a 23" w x 13-3/4" h opening  
MCS3036x12 has a 23" w x 14-3/42" h opening excluding 3/4" shelf
- Trimmable Max Cut Out on both cabinets: 28" w x 20" h
- **Not trimmable in Thermofoil door styles**
- **MC3036 must be installed between walls and/or adjacent cabinetry of equal depth**

CFO
AD
DGW
MW
❖ FI
❖ AW
MPE

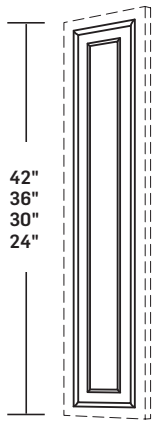
#### 36" HIGH

**NEW** MC3036x21 (without shelf)  
MC3036 (without shelf)  
MCS3036x12 (with shelf)



top view of shelf





**WALL CABINET DECORATIVE ENDS**

- Cabinet door used as Decorative End Panel
- Installs onto sides of exposed wall cabinet end panels (see pages 1-21 for detailed door specifications)
- Shipped loose for field installation

DECORATIVE ENDS	STANDARD REVEAL	DOOR SIZES	
		1/4" REVEAL FULL OVERLAY	1/8" REVEAL FULL OVERLAY
<b>WDE42</b>	10" x 39-5/8"	11-1/2" x 41"	11-3/4" x 41-1/2"
<b>WDE36</b>	10" x 33-5/8"	11-1/2" x 35"	11-3/4" x 35-1/2"
<b>WDE30</b>	10" x 27-5/8"	11-1/2" x 29"	11-3/4" x 29-1/2"
<b>WDE24</b>	10" x 21-5/8"	11-1/2" x 23"	11-3/4" x 23-1/2"
<b>WDE1542</b>	13" x 39-5/8"	14-1/2" x 41"	14-3/4" x 41-1/2"
<b>WDE1536</b>	13" x 33-5/8"	14-1/2" x 35"	14-3/4" x 35-1/2"
<b>WDE1530</b>	13" x 27-5/8"	14-1/2" x 29"	14-3/4" x 29-1/2"
<b>WDE1524</b>	13" x 21-5/8"	14-1/2" x 23"	14-3/4" x 23-1/2"
<b>WDE1842</b>	16" x 39-5/8"	17-1/2" x 41"	17-3/4" x 41-1/2"
<b>WDE1836</b>	16" x 33-5/8"	17-1/2" x 35"	17-3/4" x 35-1/2"
<b>WDE1830</b>	16" x 27-5/8"	17-1/2" x 29"	17-3/4" x 29-1/2"
<b>WDE1824</b>	16" x 21-5/8"	17-1/2" x 23"	17-3/4" x 23-1/2"

**42" HIGH**

- WDE42
- WDE1542
- WDE1842

**36" HIGH**

- WDE36
- WDE1536
- WDE1836

**30" HIGH**

- WDE30
- WDE1530
- WDE1830

**24" HIGH**

- WDE24
- WDE1524
- WDE1824

## GLASS DOOR SELECTOR

## DOOR STYLES BY WOOD SPECIES

MATERIAL	DOOR STYLE	MULLION DOORS	DOORS CUT FOR GLASS	VETRO ALUMINUM
CHERRY	Ardmore	Mullion - Mission Style	DCG	Vetro
	Langdon 5-PC / Slab	Mullion	DCG	Vetro
	Langdon Arch 5-PC / Slab	Mullion	DCG	Vetro*
RUSTIC ALDER	Ardmore	Mullion - Mission Style	DCG	Vetro
	Langdon 5-PC / Slab	Mullion	DCG	Vetro
	Langdon Arch 5-PC / Slab	Mullion	DCG	Vetro*
MAPLE	Addison 5-PC / Slab	-	DCG	Vetro
	<b>Ardmore</b>	Mullion - Mission Style	DCG	Vetro
	Bedford	-	DCG	Vetro
	Belleview	-	DCG	Vetro
	Brisbin	Mullion	DCG	-
	Carlisle	-	Order Trevino Style	Vetro
	Cheswick	Mullion	DCG	-
	Edinburgh	Mullion - Mission Style	DCG	Vetro
	<b>Freeman</b>	-	DCG	Vetro
	Lisburn	-	DCG	Vetro
	Norwich <b>5-PC</b> / Slab	-	DCG	-
	Rossiter 5-PC / Slab	Mullion - Mission Style	DCG	Vetro
	Southampton	-	DCG	Vetro
	Trevino 5-PC / Slab	-	DCG	Vetro
	<b>Weston 5-PC / Slab</b>	-	DCG	Vetro
<b>Weston Arch 5-PC / Slab</b>	-	DCG	Vetro*	
BIRCH	Hargrove	-	DCG	-
	Salerno 5-PC / Slab	Mullion	DCG	-
	Touraine 5-PC / Slab	Mullion	DCG	-
OAK	Benton	Mullion	DCG	-
	Herndon	Mullion	DCG	-
THERMOFOIL	Marianna	-	DCG	Vetro
	Sutton	Mullion	DCG	Vetro

\*Vetro doors come with square glass cutouts, regardless of door style ordered.

### MULLION DOOR CHART

(1/4" REVEAL) FULL OVERLAY DOOR STYLE

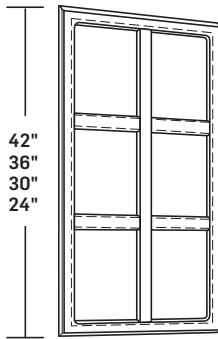
DOOR STYLES	DOOR	DOOR SIZE	GLASS SIZE
<b>ARDMORE CHERRY</b> <b>NEW ARDMORE MAPLE</b> <b>ARDMORE RUSTIC ALDER</b> <b>NEW EDINBURGH</b>	MD1524	14-1/2" x 23"	9-7/8" x 18-3/8"
	MD1824	17-1/2" x 23"	12-7/8" x 18-3/8"
	MD1530	14-1/2" x 29"	9-7/8" x 24-3/8"
	MD1830	17-1/2" x 29"	12-7/8" x 24-3/8"
	MD2130	20-1/2" x 29"	15-7/8" x 24-3/8"
	MDC2430	15-1/2" x 29"	10-7/8" x 24-3/8"
	MDC2442	15-1/2" x 41"	10-7/8" x 36-3/8"
	MDC2436	15-1/2" x 35"	10-7/8" x 30-3/8"
	MD1542	14-1/2" x 41"	9-7/8" x 36-3/8"
	MD1842	17-1/2" x 41"	12-7/8" x 36-3/8"
	MD2142	20-1/2" x 41"	15-7/8" x 36-3/8"
	MD1536	14-1/2" x 35"	9-7/8" x 30-3/8"
	MD1836	17-1/2" x 35"	12-7/8" x 30-3/8"
	MD2136	20-1/2" x 35"	15-7/8" x 30-3/8"
<b>LANGDON 5-PC AND LANGDON ARCH 5-PC CHERRY</b> <b>LANGDON SLAB AND LANGDON ARCH SLAB CHERRY</b> <b>LANGDON 5-PC AND LANGDON ARCH 5-PC RUSTIC ALDER</b> <b>LANGDON SLAB AND LANGDON ARCH SLAB RUSTIC ALDER</b> <b>SUTTON</b>	MD1524	14-1/2" x 23"	10-11/16" x 19-1/4"
	MD1824	17-1/2" x 23"	13-11/16" x 19-1/4"
	MD1530	14-1/2" x 29"	10-11/16" x 25-1/4"
	MD1830	17-1/2" x 29"	13-11/16" x 25-1/4"
	MD2130	20-1/2" x 29"	16-11/16" x 25-1/4"
	MDC2430	15-1/2" x 29"	11-11/16" x 25-1/4"
	MD1536	14-1/2" x 35"	10-11/16" x 31-1/4"
	MD1836	17-1/2" x 35"	13-11/16" x 31-1/4"
	MD2136	20-1/2" x 35"	16-11/16" x 31-1/4"
	MDC2436	15-1/2" x 35"	11-11/16" x 31-1/4"
	MD1542	14-1/2" x 41"	10-11/16" x 37-1/4"
	MD1842	17-1/2" x 41"	13-11/16" x 37-1/4"
	MD2142	20-1/2" x 41"	16-11/16" x 37-1/4"
	MDC2442	15-1/2" x 41"	11-11/16" x 37-1/4"
<b>ROSSITER 5-PC</b> <b>ROSSITER SLAB</b>	MD1524	14-1/2" x 23"	11-1/16" x 19-13/16"
	MD1824	17-1/2" x 23"	14-1/16" x 19-13/16"
	MD1530	14-1/2" x 29"	11-1/16" x 25-13/16"
	MD1830	17-1/2" x 29"	14-1/16" x 25-13/16"
	MD2130	20-1/2" x 29"	17-1/16" x 25-13/16"
	MDC2430	15-1/2" x 29"	12-1/16" x 25-13/16"
	MD1536	14-1/2" x 35"	11-1/16" x 31-13/16"
	MD1836	17-1/2" x 35"	14-1/16" x 31-13/16"
	MD2136	20-1/2" x 35"	17-1/16" x 31-13/16"
	MDC2436	15-1/2" x 35"	12-1/16" x 31-13/16"
	MD1542	14-1/2" x 41"	11-1/16" x 37-13/16"
	MD1842	17-1/2" x 41"	14-1/16" x 37-13/16"
	MD2142	20-1/2" x 41"	17-1/16" x 37-13/16"
	MDC2442	15-1/2" x 41"	12-1/16" x 37-13/16"

Ardmore, Edinburgh, and Rossiter mullion doors are Mission style design (see page 46 for specification design).

## MULLION DOOR CHART

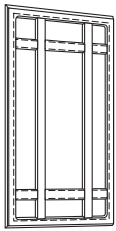
## STANDARD REVEAL DOOR STYLES

DOOR STYLES	DOOR	Door Size	Glass Size
	MD1524	13" x 21-5/8"	9-3/8" x 18"
	MD1824	16" x 21-5/8"	12-3/8" x 18"
<b>BENTON</b>	MD1530	13" x 27-5/8"	9-3/8" x 24"
<b>BRISBIN</b>	MD1830	16" x 27-5/8"	12-3/8" x 24"
<b>CHESWICK</b>	MD2130	19" x 27-5/8"	15-3/8" x 24"
	MDC2430	14-1/2" x 27-5/8"	10-7/8" x 24"
<b>HERNDON</b>	MD1536	13" x 33-5/8"	9-3/8" x 30"
<b>SALERNO 5-PC</b>	MD1836	16" x 33-5/8"	12-3/8" x 30"
<b>SALERNO SLAB</b>	MD2136	19" x 33-5/8"	15-3/8" x 30"
	MDC2436	14-1/2" x 33-5/8"	10-7/8" x 30"
<b>TOURAINÉ 5-PC</b>	MD1542	13" x 39-5/8"	9-3/8" x 36"
<b>TOURAINÉ SLAB</b>	MD1842	16" x 39-5/8"	12-3/8" x 36"
	MD2142	19" x 39-5/8"	15-3/8" x 36"
	MDC2442	14-1/2" x 39-5/8"	10-7/8" x 36"



## MULLION DOORS

- Doors are bored for concealed hinges
- **Hinges not included**
- **Gentle-Touch (soft-close) hinge available**
- **Glass not included**
- Silicone adhesive recommended for all glass installations in Mullion Doors
- See page 43 for specific door style availability
- **Ardmore and Rossiter have Mission Style mullions**



Mission Style Mullions

### 42" HIGH

MD1542 L or R – Fits W1542, W3042, W4542-3, W4842-3 (outer door)

MD1842 L or R – Fits W1842, W3642, W4842-3 (center door)

MD2142 L or R – Fits W2142, W4242

MDC2442 L or R – Fits CW2442, CWS2442

### 36" HIGH

MD1536 L or R – Fits W1536, W3036, W4536-3, W4836-3 (outer door)

MD1836 L or R – Fits W1836, W3636, W4836-3 (center door)

MD2136 L or R – Fits W2136, W4236

MDC2436 L or R – Fits CW2436, CWS2436

### 30" HIGH

MD1530 L or R – Fits W1530, W3030, W4530-3, W4830-3 (outer door)

MD1830 L or R – Fits W1830, W3630, W4830-3 (center door)

MD2130 L or R – Fits W2130, W4230

MDC2430 L or R – Fits CW2430, CWS2430

### 24" HIGH

MD1524 L or R – Fits W1524, W3024, W4524-3, W4824-3 (outer door)

MD1824 L or R – Fits W1824, W3624, W4824-3 (center door)

### DOORS CUT FOR GLASS

(1/4" REVEAL) FULL OVERLAY DOOR STYLES

DOOR STYLES	DOOR	DOOR SIZE	GLASS SIZE	
ADDISON	*DCG1512	14-1/2" x 11"	9-7/8" x 6-3/8"	
	*DCG1812	17-1/2" x 11"	12-7/8" x 6-3/8"	
	*DCG1515	14-1/2" x 14"	9-7/8" x 9-3/8"	
	*DCG1815	17-1/2" x 14"	12-7/8" x 9-3/8"	
	*DCG1218	11-1/2" x 17"	6-7/8" x 12-3/8"	
	*DCG1518	14-1/2" x 17"	9-7/8" x 12-3/8"	
	*DCG1818	17-1/2" x 17"	12-7/8" x 12-3/8"	
	*DCG2118	20-1/2" x 17"	15-7/8" x 12-3/8"	
	ARDMORE CHERRY	*DCG2718	13" x 17"	8-3/8" x 12-3/8"
		*DCG3318	16" x 17"	11-3/8" x 12-3/8"
	NEW ARMORE MAPLE	*DCG3918	19" x 17"	14-3/8" x 12-3/8"
	ARDMORE RUSTIC ALDER	DCG1524	14-1/2" x 23"	9-7/8" x 18-3/8"
		DCG1824	17-1/2" x 23"	12-7/8" x 18-3/8"
	BEDFORD	DCG1530	14-1/2" x 29"	9-7/8" x 24-3/8"
		DCG1830	17-1/2" x 29"	12-7/8" x 24-3/8"
	EDINBURGH	DCG2130	20-1/2" x 29"	15-7/8" x 24-3/8"
		DCGC2430	15-1/2" x 29"	10-7/8" x 24-3/8"
	NEW FREEMAN	DCG1536	14-1/2" x 35"	9-7/8" x 30-3/8"
		DCG1836	17-1/2" x 35"	12-7/8" x 30-3/8"
	SOUTHAMPTON	DCG2136	20-1/2" x 35"	15-7/8" x 30-3/8"
		DCGC2436	15-1/2" x 35"	10-7/8" x 30-3/8"
DCG1542		14-1/2" x 41"	9-7/8" x 36-3/8"	
DCG1842		17-1/2" x 41"	12-7/8" x 36-3/8"	
DCG2142		20-1/2" x 41"	15-7/8" x 36-3/8"	
DCGC2442		15-1/2" x 41"	10-7/8" x 36-3/8"	
BELLEVIEW		*DCG1512	14-1/2" x 11"	10-11/16" x 7-1/4"
	*DCG1812	17-1/2" x 11"	13-11/16" x 7-1/4"	
	*DCG1515	14-1/2" x 14"	10-11/16" x 10-1/4"	
	*DCG1815	17-1/2" x 14"	13-11/16" x 10-1/4"	
	*DCG1218	11-1/2" x 17"	7-11/16" x 13-1/4"	
	*DCG1518	14-1/2" x 17"	10-11/16" x 13-1/4"	
	*DCG1818	17-1/2" x 17"	13-11/16" x 13-1/4"	
	*DCG2118	20-1/2" x 17"	16-11/16" x 13-1/4"	
	*DCG2718	13" x 17"	9-3/16" x 13-1/4"	
	*DCG3318	16" x 17"	12-3/16" x 13-1/4"	
	*DCG3918	19" x 17"	15-3/16" x 13-1/4"	
	LANGDON 5-PC AND LANGDON ARCH 5-PC CHERRY	DCG1524	14-1/2" x 23"	10-11/16" x 19-1/4"
		DCG1824	17-1/2" x 23"	13-11/16" x 19-1/4"
	LANGDON SLAB AND LANGDON ARCH SLAB CHERRY	DCG1530	14-1/2" x 29"	10-11/16" x 25-1/4"
		DCG1830	17-1/2" x 29"	13-11/16" x 25-1/4"
	LANGDON 5-PC AND LANGDON ARCH 5-PC RUSTIC ALDER	DCG2130	20-1/2" x 29"	16-11/16" x 25-1/4"
		DCGC2430	15-1/2" x 29"	11-11/16" x 25-1/4"
	LANGDON SLAB AND LANGDON ARCH SLAB RUSTIC ALDER	DCG1536	14-1/2" x 35"	10-11/16" x 31-1/4"
		DCG1836	17-1/2" x 35"	13-11/16" x 31-1/4"
		DCG2136	20-1/2" x 35"	16-11/16" x 31-1/4"
		DCGC2436	15-1/2" x 35"	11-11/16" x 31-1/4"
DCG1542		14-1/2" x 41"	10-11/16" x 37-1/4"	
DCG1842		17-1/2" x 41"	13-11/16" x 37-1/4"	
DCG2142		20-1/2" x 41"	16-11/16" x 37-1/4"	
DCGC2442	15-1/2" x 41"	11-11/16" x 37-1/4"		
MARIANNA	*DCG1818	17-1/2" x 17"	13-11/16" x 13-1/4"	
	*DCG2118	20-1/2" x 17"	16-11/16" x 13-1/4"	
	*DCG2718	13" x 17"	9-3/16" x 13-1/4"	
	*DCG3318	16" x 17"	12-3/16" x 13-1/4"	
	*DCG3918	19" x 17"	15-3/16" x 13-1/4"	
	DCG1524	14-1/2" x 23"	10-11/16" x 19-1/4"	
	DCG1824	17-1/2" x 23"	13-11/16" x 19-1/4"	
	DCG1530	14-1/2" x 29"	10-11/16" x 25-1/4"	
	DCG1830	17-1/2" x 29"	13-11/16" x 25-1/4"	
	DCG2130	20-1/2" x 29"	16-11/16" x 25-1/4"	
SUTTON	DCGC2430	15-1/2" x 29"	11-11/16" x 25-1/4"	
	DCG1536	14-1/2" x 35"	10-11/16" x 31-1/4"	

\*Doors cut for glass in these sizes are offered in clear of frost glass inserts only. Not available on arch door styles. Glass inserts are ordered individually. For 30", 36", and 42" wide cabinets order 2 inserts (15", 18", and 21") for a double door cabinet. For 2718, 3318, and 3918 order 2 inserts.

**DOORS CUT FOR GLASS**

(1/4" REVEAL) FULL OVERLAY DOOR STYLES (continued)

DOOR STYLES	DOOR	DOOR SIZE	GLASS SIZE	
<b>MARIANNA</b>	DCG1836	17-1/2" x 35"	13-11/16" x 31-1/4"	
	DCG2136	20-1/2" x 35"	16-11/16" x 31-1/4"	
	DCGC2436	15-1/2" x 35"	11-11/16" x 31-1/4"	
	DCG1542	14-1/2" x 41"	10-11/16" x 37-1/4"	
	DCG1842	17-1/2" x 41"	13-11/16" x 37-1/4"	
	DCG2142	20-1/2" x 41"	16-11/16" x 37-1/4"	
	DCGC2442	15-1/2" x 41"	11-11/16" x 37-1/4"	
<b>SUTTON</b> (continued)	*DCG1512	14-1/2" x 11"	11-1/8" x 7-5/8"	
	*DCG1812	17-1/2" x 11"	14-1/8" x 7-5/8"	
	*DCG1515	14-1/2" x 14"	11-1/8" x 10-5/8"	
	*DCG1815	17-1/2" x 14"	14-1/8" x 10-5/8"	
	*DCG1218	11-1/2" x 17"	8-1/8" x 13-5/8"	
	*DCG1518	14-1/2" x 17"	11-1/8" x 13-5/8"	
	*DCG1818	17-1/2" x 17"	14-1/8" x 13-5/8"	
	*DCG2118	20-1/2" x 17"	17-1/8" x 13-5/8"	
	*DCG2718	13" x 17"	9-5/8" x 13-5/8"	
	*DCG3318	16" x 17"	12-5/8" x 13-5/8"	
	*DCG3918	19" x 17"	15-5/8" x 13-5/8"	
	DCG1524	14-1/2" x 23"	11-1/8" x 19-5/8"	
	DCG1824	17-1/2" x 23"	14-1/8" x 19-5/8"	
	DCG1530	14-1/2" x 29"	11-1/8" x 25-5/8"	
	DCG1830	17-1/2" x 29"	14-1/8" x 25-5/8"	
	DCG2130	20-1/2" x 29"	17-1/8" x 25-5/8"	
	DCGC2430	15-1/2" x 29"	12-1/8" x 25-5/8"	
	DCG1536	14-1/2" x 35"	11-1/8" x 31-5/8"	
	DCG1836	17-1/2" x 35"	14-1/8" x 31-5/8"	
	DCG2136	20-1/2" x 35"	17-1/8" x 31-5/8"	
DCGC2436	15-1/2" x 35"	12-1/8" x 31-5/8"		
DCG1542	14-1/2" x 41"	11-1/8" x 37-5/8"		
DCG1842	17-1/2" x 41"	14-1/8" x 37-5/8"		
DCG2142	20-1/2" x 41"	17-1/8" x 37-5/8"		
DCGC2442	15-1/2" x 41"	12-1/8" x 37-5/8"		
<b>LISBURN</b> <b>NEW WESTON</b> <b>5-PC / SLAB</b> <b>NEW WESTON ARCH</b> <b>5-PC / SLAB</b>	*DCG1512	14-1/2" x 11"	11-1/16" x 7-13/16"	
	*DCG1812	17-1/2" x 11"	14-1/16" x 7-13/16"	
	*DCG1515	14-1/2" x 14"	11-1/16" x 10-13/16"	
	*DCG1815	17-1/2" x 14"	14-1/16" x 10-13/16"	
	*DCG1218	11-1/2" x 17"	8-1/16" x 13-13/16"	
	*DCG1518	14-1/2" x 17"	11-1/16" x 13-13/16"	
	*DCG1818	17-1/2" x 17"	14-1/16" x 13-13/16"	
	*DCG2118	20-1/2" x 17"	17-1/16" x 13-13/16"	
	*DCG2718	13" x 17"	9-9/16" x 13-13/16"	
	*DCG3318	16" x 17"	12-9/16" x 13-13/16"	
	*DCG3918	19" x 17"	15-9/16" x 13-13/16"	
	DCG1524	14-1/2" x 23"	11-1/16" x 19-13/16"	
	DCG1824	17-1/2" x 23"	14-1/16" x 19-13/16"	
	DCG1530	14-1/2" x 29"	11-1/16" x 25-13/16"	
	DCG1830	17-1/2" x 29"	14-1/16" x 25-13/16"	
	DCG2130	20-1/2" x 29"	17-1/16" x 25-13/16"	
	DCGC2430	15-1/2" x 29"	12-1/16" x 25-13/16"	
	DCG1536	14-1/2" x 35"	11-1/16" x 31-13/16"	
	DCG1836	17-1/2" x 35"	14-1/16" x 31-13/16"	
	DCG2136	20-1/2" x 35"	17-1/16" x 31-13/16"	
	DCGC2436	15-1/2" x 35"	12-1/16" x 31-13/16"	
	DCG1542	14-1/2" x 41"	11-1/16" x 37-13/16"	
	DCG1842	17-1/2" x 41"	14-1/16" x 37-13/16"	
	DCG2142	20-1/2" x 41"	17-1/16" x 37-13/16"	
	DCGC2442	15-1/2" x 41"	12-1/16" x 37-13/16"	
	<b>ROSSITER 5-PC</b> <b>ROSSITER SLAB</b>	*DCG1512	14-1/2" x 11"	11-1/16" x 7-13/16"
		*DCG1812	17-1/2" x 11"	14-1/16" x 7-13/16"
		*DCG1515	14-1/2" x 14"	11-1/16" x 10-13/16"
*DCG1815		17-1/2" x 14"	14-1/16" x 10-13/16"	
*DCG1218		11-1/2" x 17"	8-1/16" x 13-13/16"	
*DCG1518		14-1/2" x 17"	11-1/16" x 13-13/16"	
*DCG1818		17-1/2" x 17"	14-1/16" x 13-13/16"	
*DCG2118		20-1/2" x 17"	17-1/16" x 13-13/16"	
*DCG2718		13" x 17"	9-9/16" x 13-13/16"	
*DCG3318		16" x 17"	12-9/16" x 13-13/16"	
*DCG3918		19" x 17"	15-9/16" x 13-13/16"	
DCG1524		14-1/2" x 23"	11-1/16" x 19-13/16"	
DCG1824		17-1/2" x 23"	14-1/16" x 19-13/16"	
DCG1530		14-1/2" x 29"	11-1/16" x 25-13/16"	
DCG1830		17-1/2" x 29"	14-1/16" x 25-13/16"	
DCG2130		20-1/2" x 29"	17-1/16" x 25-13/16"	
DCGC2430		15-1/2" x 29"	12-1/16" x 25-13/16"	
DCG1536		14-1/2" x 35"	11-1/16" x 31-13/16"	
DCG1836		17-1/2" x 35"	14-1/16" x 31-13/16"	
DCG2136		20-1/2" x 35"	17-1/16" x 31-13/16"	
DCGC2436	15-1/2" x 35"	12-1/16" x 31-13/16"		
DCG1542	14-1/2" x 41"	11-1/16" x 37-13/16"		
DCG1842	17-1/2" x 41"	14-1/16" x 37-13/16"		
DCG2142	20-1/2" x 41"	17-1/16" x 37-13/16"		
DCGC2442	15-1/2" x 41"	12-1/16" x 37-13/16"		

\* Doors cut for glass in these sizes are offered in clear or frost glass inserts only. Not available on arch door styles.

Glass inserts are ordered individually. For 30", 36", and 42" wide cabinets order 2 inserts (15", 18", and 21") for a double door cabinet. For 2718, 3318, and 3918 order 2 inserts.

**DOORS CUT FOR GLASS**

(1/4" REVEAL) FULL OVERLAY DOOR STYLES (continued)

DOOR STYLES	DOOR	DOOR SIZE	GLASS SIZE	
TREVINO 5-PC	*DCG1512	14-1/2" x 11"	10-11/16" x 7-1/4"	
	*DCG1812	17-1/2" x 11"	13-11/16" x 7-1/4"	
	*DCG1515	14-1/2" x 14"	10-11/16" x 10-1/4"	
	*DCG1815	17-1/2" x 14"	13-11/16" x 10-1/4"	
	*DCG1218	11-1/2" x 17"	7-11/16" x 13-1/4"	
	*DCG1518	14-1/2" x 17"	10-11/16" x 13-1/4"	
	*DCG1818	17-1/2" x 17"	13-11/16" x 13-1/4"	
	*DCG2118	20-1/2" x 17"	16-11/16" x 13-1/4"	
	*DCG2718	13" x 17"	9-3/16" x 13-1/4"	
	*DCG3318	16" x 17"	12-3/16" x 13-1/4"	
	*DCG3918	19" x 17"	15-3/16" x 13-1/4"	
	DCG1524	14-1/2" x 23"	10-11/16" x 19-1/4"	
	DCG1824	17-1/2" x 23"	13-11/16" x 19-1/4"	
	TREVINO SLAB	DCG1530	14-1/2" x 29"	10-11/16" x 25-1/4"
		DCG1830	17-1/2" x 29"	13-11/16" x 25-1/4"
		DCG2130	20-1/2" x 29"	16-11/16" x 25-1/4"
		DCGC2430	15-1/2" x 29"	11-11/16" x 25-1/4"
		DCG1536	14-1/2" x 35"	10-11/16" x 31-1/4"
DCG1836		17-1/2" x 35"	13-11/16" x 31-1/4"	
DCG2136		20-1/2" x 35"	16-11/16" x 31-1/4"	
DCGC2436		15-1/2" x 35"	11-11/16" x 31-1/4"	
DCG1542		14-1/2" x 41"	10-11/16" x 37-1/4"	
DCG1842		17-1/2" x 41"	13-11/16" x 37-1/4"	
DCG2142	20-1/2" x 41"	16-11/16" x 37-1/4"		
DCGC2442	15-1/2" x 41"	11-11/16" x 37-1/4"		

\* Doors cut for glass in these sizes are offered in clear of frost glass inserts only.

Glass inserts are ordered individually. For 30", 36", and 42" wide cabinets order 2 inserts (15", 18", and 21") for a double door cabinet. For 2718, 3318, and 3918 order 2 inserts.



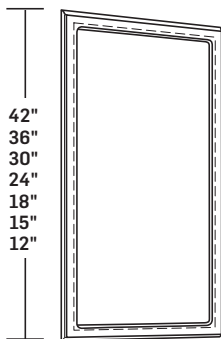
## DOORS CUT FOR GLASS

### STANDARD REVEAL DOOR STYLES

DOOR STYLES	DOOR	DOOR SIZE	GLASS SIZE
BRISBIN CHESWICK NEW NORWICH 5-PC NORWICH SLAB	*DCG1512	13" x 9-5/8"	9-3/8" x 6"
	*DCG1812	16" x 9-5/8"	12-3/8" x 6"
	*DCG1515	13" x 12-5/8"	9-3/8" x 9"
	*DCG1815	16" x 12-5/8"	12-3/8" x 9"
	*DCG1218	10" x 15-5/8"	6-3/8" x 12"
	*DCG1518	13" x 15-5/8"	9-3/8" x 12"
	*DCG1818	16" x 15-5/8"	12-3/8" x 12"
	*DCG2118	19" x 15-5/8"	15-3/8" x 12"
	*DCG2718	11-1/2" x 15-5/8"	7-7/8" x 12"
	*DCG3318	14-1/2" x 15-5/8"	10-7/8" x 12"
	*DCG3918	17-1/2" x 15-5/8"	13-7/8" x 12"
	DCG1524	13" x 21-5/8"	9-3/8" x 18"
	DCG1824	16" x 21-5/8"	12-3/8" x 18"
	DCG1530	13" x 27-5/8"	9-3/8" x 24"
	DCG1830	16" x 27-5/8"	12-3/8" x 24"
	DCG2130	19" x 27-5/8"	15-3/8" x 24"
	DCGC2430	14-1/2" x 27-5/8"	10-3/8" x 24"
	DCG1536	13" x 33-5/8"	9-3/8" x 30"
	DCG1836	16" x 33-5/8"	12-3/8" x 30"
	DCG2136	19" x 33-5/8"	15-3/8" x 30"
	DCGC2436	14-1/2" x 33-5/8"	10-3/8" x 30"
	DCG1542	13" x 39-5/8"	9-3/8" x 36"
	DCG1842	16" x 39-5/8"	12-3/8" x 36"
	DCG2142	19" x 39-5/8"	15-3/8" x 36"
DCGC2442	14-1/2" x 39-5/8"	10-3/8" x 36"	
BENTON HARGROVE HERNDON SALERNO 5-PC SALERNO SLAB TOURAINÉ 5-PC TOURAINÉ SLAB	*DCG1818	16" x 15-5/8"	12-3/8" x 12"
	*DCG2118	19" x 15-5/8"	15-3/8" x 12"
	*DCG2718	11-1/2" x 15-5/8"	7-7/8" x 12"
	*DCG3318	14-1/2" x 15-5/8"	10-7/8" x 12"
	*DCG3918	17-1/2" x 15-5/8"	13-7/8" x 12"
	DCG1524	13" x 21-5/8"	9-3/8" x 18"
	DCG1824	16" x 21-5/8"	12-3/8" x 18"
	DCG1530	13" x 27-5/8"	9-3/8" x 24"
	DCG1830	16" x 27-5/8"	12-3/8" x 24"
	DCG2130	19" x 27-5/8"	15-3/8" x 24"
	DCGC2430	14-1/2" x 27-5/8"	10-3/8" x 24"
	DCG1536	13" x 33-5/8"	9-3/8" x 30"
	DCG1836	16" x 33-5/8"	12-3/8" x 30"
	DCG2136	19" x 33-5/8"	15-3/8" x 30"
	DCGC2436	14-1/2" x 33-5/8"	10-3/8" x 30"
	DCG1542	13" x 39-5/8"	9-3/8" x 36"
	DCG1842	16" x 39-5/8"	12-3/8" x 36"
	DCG2142	19" x 39-5/8"	15-3/8" x 36"
	DCGC2442	14-1/2" x 39-5/8"	10-3/8" x 36"

\* Doors cut for glass in these sizes are offered in clear or frost glass inserts only.

Glass inserts are ordered individually. For 30", 36", and 42" wide cabinets order 2 inserts (15", 18", and 21") for a double door cabinet. For 2718, 3318, and 3918 order 2 inserts.



**DOORS CUT FOR GLASS**

- Doors are bored for concealed hinges
- **Hinges not included**
- **Gentle-Touch (soft-close) hinge available**
- **Glass not included**
- Silicone adhesive recommended for all glass installations in Mullion Doors
- See page 43 for specific door style availability

**42" HIGH**

DCG1542 L or R – Fits W1542, W3042, W4542-3, W4842-3 (outer door)  
 DCG1842 L or R – Fits W1842, W3642, W4842-3 (center door)  
 DCG2142 L or R – Fits W2142, W4242  
 DCGC2442 L or R – Fits CW2442, CWS2442, CW2742

**36" HIGH**

DCG1536 L or R – Fits W1536, W3036, W4536-3, W4836-3 (outer door)  
 DCG1836 L or R – Fits W1836, W3636, W4836-3 (center door)  
 DCG2136 L or R – Fits W2136, W4236  
 DCGC2436 L or R – Fits CW2436, CWS2436, CW2736

**30" HIGH**

DCG1530 L or R – Fits W1530, W3030, W4530-3, W4830-3 (outer door)  
 DCG1830 L or R – Fits W1830, W3630, W4830-3 (center door)  
 DCG2130 L or R – Fits W2130, W4230  
 DCGC2430 L or R – Fits CW2430, CWS2430, CW2730

**24" HIGH**

DCG1524 L or R – Fits W1524, W3024, W4524-3, W4824-3 (outer door)  
 DCG1824 L or R – Fits W1824, W3624, W4824-3 (center door)

**18" HIGH**

DCG1218 L or R – Fits W1218, W2418  
 DCG1518 L or R – Fits W1518, W3018, W4518-3  
 DCG1818 L or R – Fits W1818, W3618  
 DCG2118 L or R – Fits W2118  
 DCG2718 L or R – Fits W2718 (1 side)  
 DCG3318 L or R – Fits W3318 (1 side)  
 DCG3918 L or R – Fits W3918 (1 side)

**15" HIGH**

DCG1515 L or R – Fits W1515, W4515-3  
 DCG1815 L or R – Fits W1815, W4815-3 (center door)

**12" HIGH**

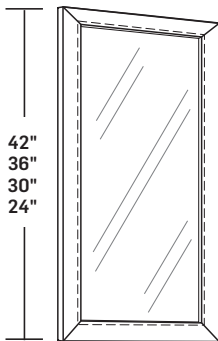
DCG1512 L or R – Fits W1512  
 DCG1812 L or R – Fits W1812

Glass inserts are ordered individually. For 30", 36", and 42" wide cabinets order 2 inserts (15", 18", and 21") for a double door cabinet. For 2718, 3318, and 3918 order 2 inserts.

**VETRO ALUMINUM DOORS (REAR MOUNT GLASS)**

**FULL OVERLAY DOOR STYLES ONLY**

DOOR STYLES	DOOR	DOOR SIZE	GLASS SIZE
ADDISON	ALDCG1524	14-1/2" x 23"	10-15/32" x 18-31/32"
ARDMORE CHERRY	ALDCG1824	17-1/2" x 23"	13-15/32" x 18-31/32"
<b>NEW</b> ARMORE MAPLE	ALDCG1530	14-1/2" x 29"	10-15/32" x 24-31/32"
ARDMORE RUSTIC ALDER	ALDCG1830	17-1/2" x 29"	13-15/32" x 24-31/32"
BEDFORD	ALDCG2130	20-1/2" x 29"	16-15/32" x 24-31/32"
BELLEVIEW	ALDCGC2430	15-1/2" x 29"	11-15/32" x 24-31/32"
CARLISLE	ALDCG1536	14-1/2" x 35"	10-15/32" x 30-31/32"
EDINBURGH	ALDCG1836	17-1/2" x 35"	13-15/32" x 30-31/32"
<b>NEW</b> FREEMAN	ALDCG2136	20-1/2" x 35"	16-15/32" x 30-31/32"
LANGDON CHERRY	ALDCGC2436	15-1/2" x 35"	11-15/32" x 30-31/32"
LANGDON RUSTIC ALDER	ALDCG1542	14-1/2" x 41"	10-15/32" x 36-31/32"
LISBURN	ALDCG1842	17-1/2" x 41"	13-15/32" x 36-31/32"
MARIANNA	ALDCG2142	20-1/2" x 41"	16-15/32" x 36-31/32"
ROSSITER	ALDCGC2442	15-1/2" x 41"	11-15/32" x 36-31/32"
SOUTHAMPTON			
SUTTON			
TREVINO			
<b>NEW</b> WESTON			



**VETRO ALUMINUM DOORS**

- Doors are bored for concealed hinges
- **Must order 1-1/4" overlay hinges or Gentle-Touch hinges separately**
- 42" high doors require 3 hinges per door  
36", 30" and 24" high doors require 2 hinges per door
- **5/32" thick satin frost glass installed in each door**
- Order bumper pads separately
- See page 43 for specific door style availability

**42" HIGH**

- ALDCG1542 Fits W1542, W3042, W4542-3, W4842-3 (outer door)
- ALDCG1842 Fits W1842, W3642, W4842-3 (center door)
- ALDCG2142 Fits W2142, W4242
- ALDCGC2442 Fits CW2442, CWS2442

**36" HIGH**

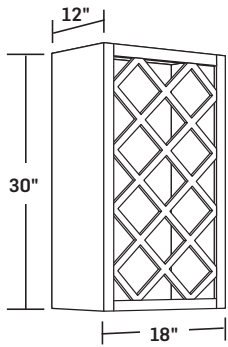
- ALDCG1536 Fits W1536, W3036, W4536-3, W4836-3 (outer door)
- ALDCG1836 Fits W1836, W3636, W4836-3 (center door)
- ALDCG2136 Fits W2136, W4236
- ALDCGC2436 Fits CW2436, CWS2436

**30" HIGH**

- ALDCG1530 Fits W1530, W3030, W4530-3, W4830-3 (outer door)
- ALDCG1830 Fits W1830, W3630, W4830-3 (center door)
- ALDCG2130 Fits W2130, W4230
- ALDCGC2430 Fits CW2430, CWS2430

**24" HIGH**

- ALDCG1524 Fits W1524, W3024, W4524-3, W4824-3 (outer door)
- ALDCG1824 Fits W1824, W3624, W4824-3 (center door)



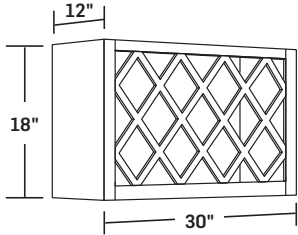
**WINE RACK WALL CABINETS**

- 30" and 18" high wine racks have 11 bottle capacities  
15" high wine rack has a 14 bottle capacity
- Available in oak, maple, cherry, or white vinyl
- Wine racks do not come with finished interiors in Premier construction
- AllWood construction comes with oak, maple, or cherry plywood finished interior standard

CFO
AD
DGW
MW
❖ FI
❖ AW
MPE

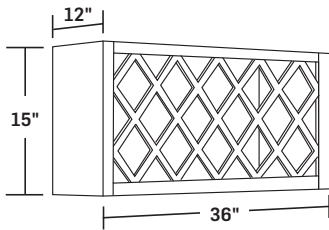
**30" HIGH**

WR1830



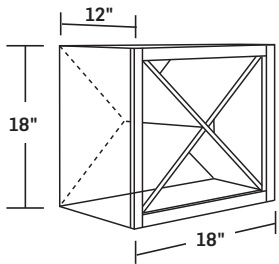
**18" HIGH**

WR3018



**15" HIGH**

WR3615



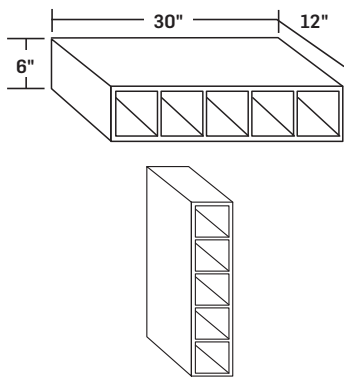
**WINE STORAGE CUBE**

- Available in oak, maple, cherry, alder, or white vinyl
- AllWood construction comes with oak, maple, or cherry plywood finished interior standard
- Premier construction only comes in white laminate

CFO
AD
DGW
MW
❖ FI
❖ AW
MPE

**18" HIGH**

WSC1818



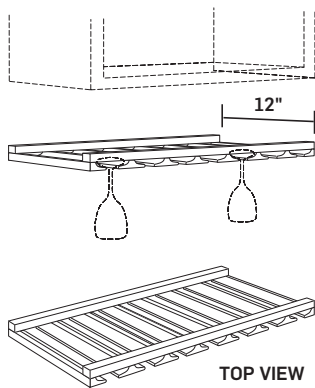
alternate installation

### WINE CUBE

- Available in oak, maple, or cherry veneer plywood construction
- White available in painted maple
- Can be installed either horizontally or vertically
- Finished interior and exterior

WC30

CFO
AD
DGW
MW
❖ FI
❖ AW
MPE

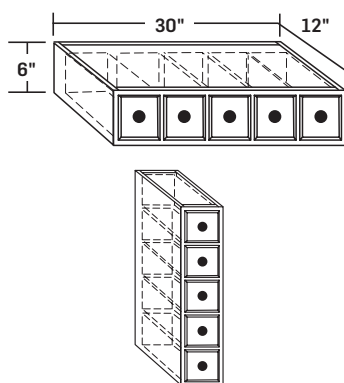


### 36" WIDE STEM GLASS HOLDER

- Available in oak or maple
- White available in painted maple
- Trimmable widths
- Mounts beneath 36" wide wall cabinets or smaller

SGH36

CFO
AD
DGW
MW
FI
❖ AW
MPE

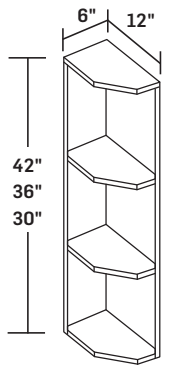


alternate installation

### APOTHECARY SPICE DRAWERS

- Available in maple, cherry, and oak veneer plywood construction
- White available in painted maple
- Drawer sets convert to horizontal or vertical usage. Use 1/2" filler strip above when installed vertically against base cabinet.
- Drawer front profiles are generic eased edge profile and do not necessarily match door profile
- Five clear coat wood pull out spice drawers set loose in opening without drawer guides
- **Decorative hardware is required and not included**

SD30



30" high shown

**KNICK KNACK WALL SHELVES**

- Available in oak, maple, or cherry veneer
- Available in white painted maple for thermofoil door styles
- Shelves are 3/4" thick and cut at a 45° angle to accommodate molding
- Shelves are equal distance spacing

**42" HIGH**

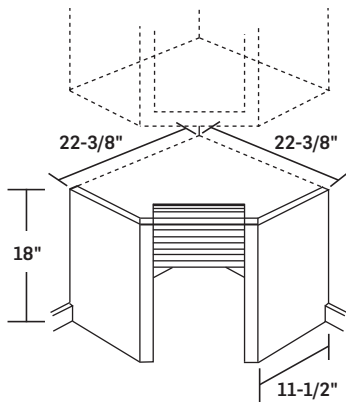
WS42

**36" HIGH**

WS36

**30" HIGH**

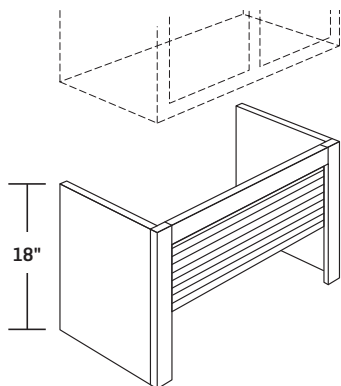
WS30



**APPLIANCE GARAGE**

- Available in oak, maple, or cherry
- Assembly required
- Tambour roll down door
- Install beneath corner wall cabinets. Designed to sit on countertop.
- Glazed finish available on tambour door only.
- Opening: 13-3/4" wide x 14-1/2" high

AG2418

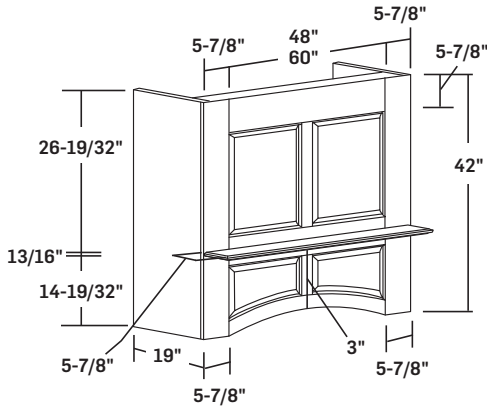


**STRAIGHT APPLIANCE GARAGE**

- Available in oak, maple, or cherry
- Assembly required
- Tambour roll down door
- Install beneath 24" or 30" wide cabinet. Designed to sit on countertop.
- Glazed finish available on tambour door only.
- Opening: SAG2418: 21" wide x 14" high (clear)  
SAG3018: 27" wide x 14" high (clear)

SAG2418

SAG3018



**WOOD HOOD MANTLES**

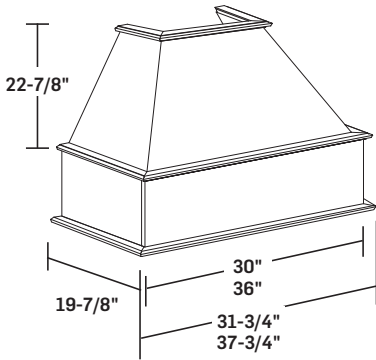
- Available in maple, cherry, or rustic alder
- Shipped with silver metallic powder coat metal liner
- Blower units must be ordered separately
- Glazed finish available

**48" WIDE**

WHM48

**60" WIDE**

WHM60



**WOOD HOOD CHIMNEYS**

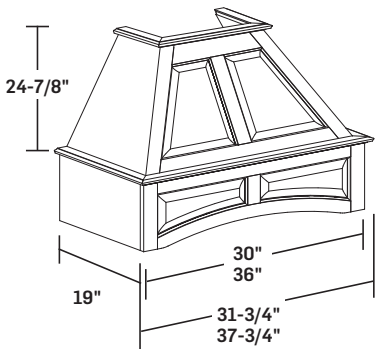
- Available in maple, cherry, or rustic alder
- Shipped with silver metallic powder coat metal liner
- Blower units must be ordered separately
- Chimney stack must be ordered separately
- Glazed finish available

**30" WIDE**

WHC30

**36" WIDE**

WHC36



**WOOD HOOD ARCHED CHIMNEYS**

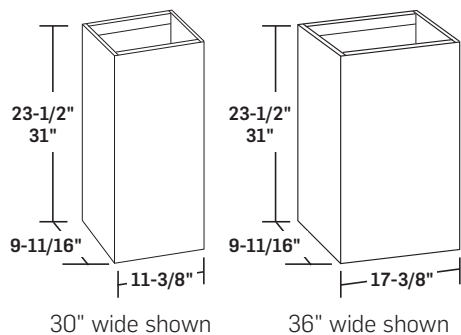
- Available in maple, cherry, or rustic alder
- Shipped with silver metallic powder coat metal liner
- Blower units must be ordered separately
- Chimney stack must be ordered separately
- Glazed finish available

**30" WIDE**

WHAC30

**36" WIDE**

WHAC36

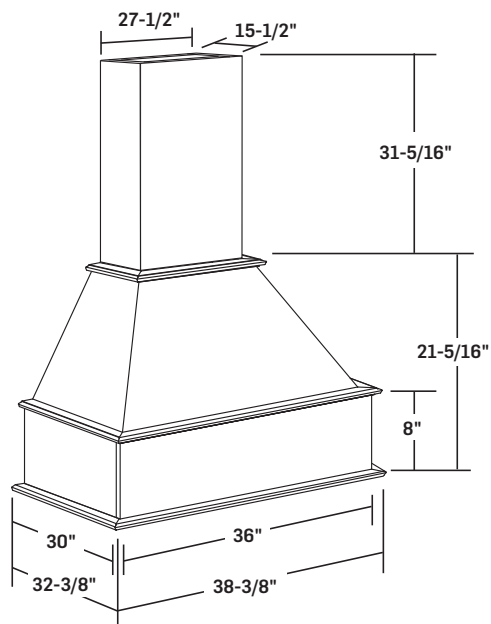


**CHIMNEY STACKS FOR WOOD HOODS**

- Available in maple, cherry, or rustic alder
- For use with WHC and WHAC wood hoods
- Available in two heights
- Blower units must be ordered separately
- Chimney is three sided with support brace for back
- Glazed finish not available

**30" WIDE**  
WHCS3023  
WHCS3031

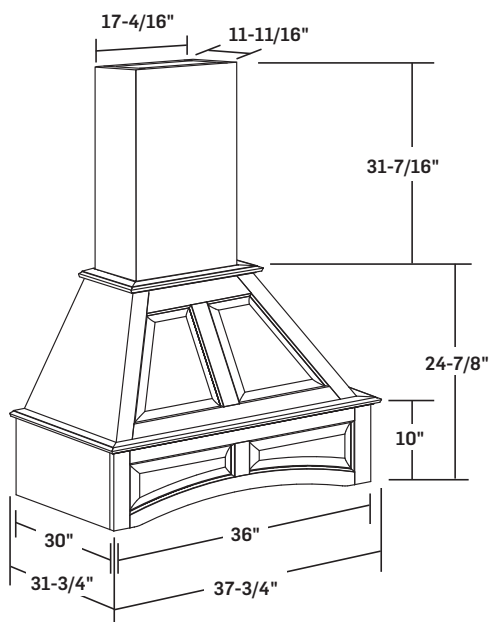
**36" WIDE**  
WHCS3623  
WHCS3631



**36" WIDE PENINSULA WOOD HOOD CHIMNEY**

- Available in maple, cherry, or rustic alder
- Shipped with silver metallic powder coat metal liner
- Blower units must be ordered separately
- Chimney stack included
- Glazed finish available

WHPC36

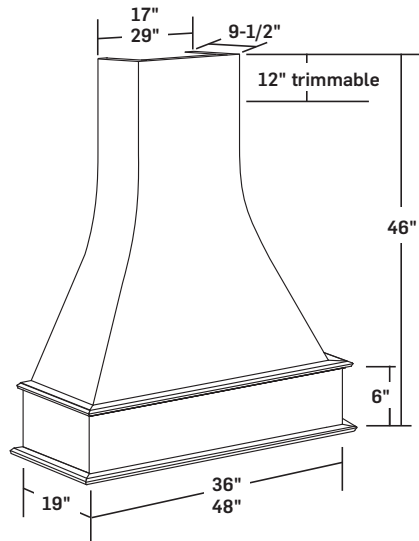


**36" WIDE PENINSULA WOOD HOOD ARCHED CHIMNEY**

- Available in maple, cherry, or rustic alder
- Shipped with silver metallic powder coat metal liner
- Blower units must be ordered separately
- Chimney stack included
- Glazed finish available
- Available only in raised panel option as shown

WHPAC36





### 36" AND 48" WIDE COVERED WOOD HOODS

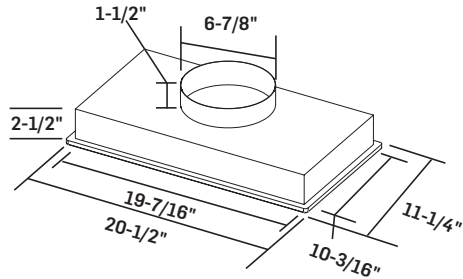
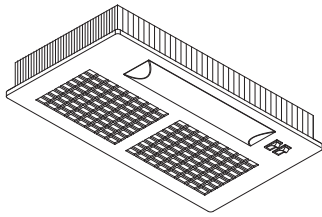
- Available in maple or cherry
- Shipped with silver metallic powder coat metal liner
- Blower units must be ordered separately
- Glazed finish available

#### 36" WIDE

WHCV36

#### 48" WIDE

WHCV48

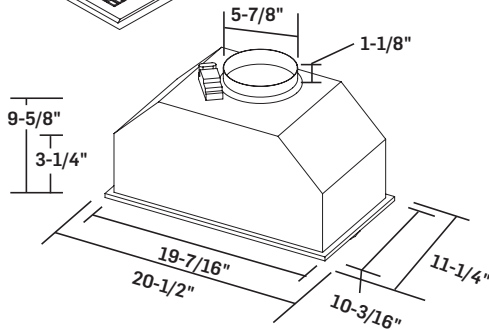
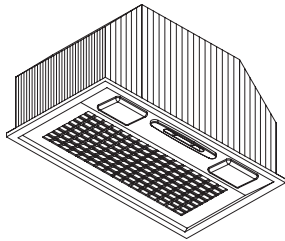


### BLOWER UNIT

(For use with WHAC30, WHAC36, WHC30, WHC36, WHCV36, WHCV48, WHM48, WHM60, WHPC36, and WHPAC36)

- 6-5/8" fan, 250 CFM, 8.0 Sones
- Two-speed motor
- 7" round duct or non-ducted discharge
- Enclosed light
- Accepts two incandescent max. 40-watt candelabra bulb. Bulb not included
- One-piece, washable aluminum mesh filter
- Durable, powder coated silver finish
- Fully enclosed bottom

BUF10SM (silver metallic)

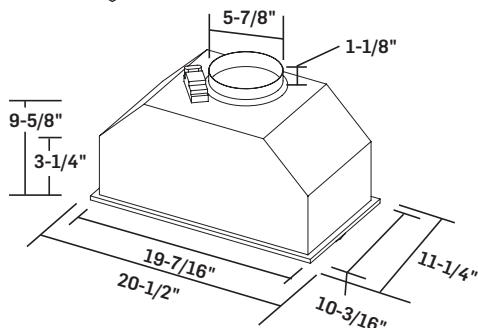
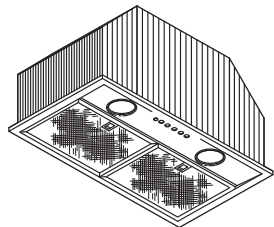


### BLOWER UNIT

(For use with WHAC30, WHAC36, WHC30, WHC36, WHCV36, WHCV48, WHM48, WHM60, WHPC36, and WHPAC36)

- Centrifugal blower, 390 CFM, 6.0 Sones
- Multi-speed control
- 6" round duct connector/back draft damper
- Enclosed light
- Accepts two incandescent max 40-watt candelabra bulb. Bulbs not included
- Durable, powder coated silver finish
- Heat Sentry™ automatically turns blower to high speed when excess cooking heat is detected
- Fully enclosed bottom

BUF20SM (silver metallic)

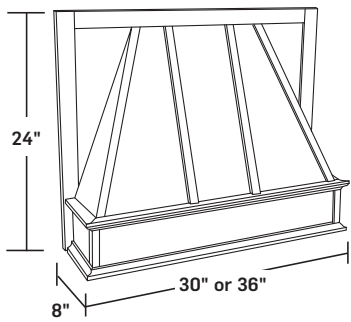


### BLOWER UNIT

(For use with WHAC30, WHAC36, WHC30, WHC36, WHCV36, WHCV48, WHM48, WHM60, WHPC36, and WHPAC36)

- Centrifugal blower, 500 CFM, 8.0 Sones
- Durable, 430 stainless steel with #4 brushed finish
- Non-exposed housing made with electro-galvanized steel
- Multi-speed control
- 6" round duct connector/back draft damper
- Accepts two halogen lamps, Type JC 12V 20W G4 Base (lamps included)
- Two washable filters with stainless steel covers, aluminum inner mesh, and quick-release latches
- Heat Sentry™ automatically turns blower to high speed when excess cooking heat is detected

BUF30SS (stainless steel)



**WOOD HOODS**

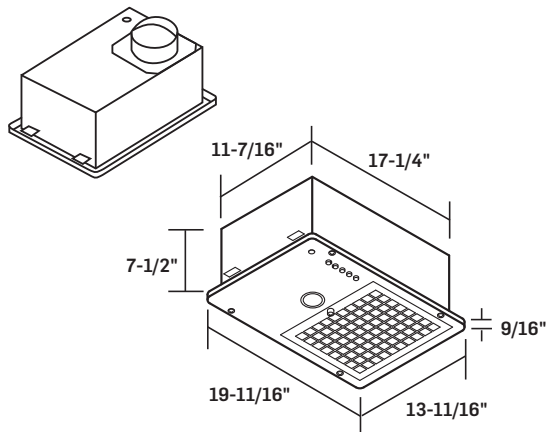
- Available in oak, maple, cherry, or rustic alder
- Shipped with silver metallic powdercoat metal liner
- Blower units must be ordered separately
- Glazed finish available

**30" WIDE WOOD HOOD**

WH30

**36" WIDE WOOD HOOD**

WH36



**BLOWER UNITS – SQUIRREL CAGE FAN**

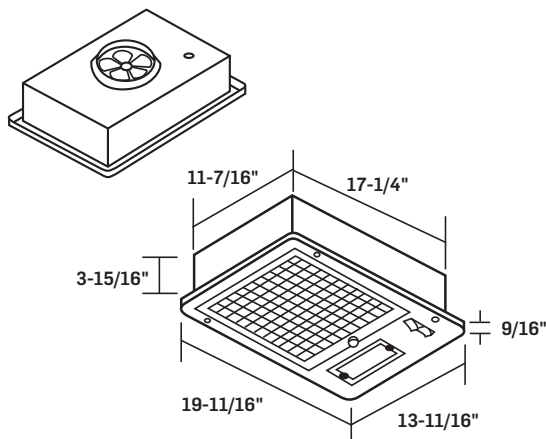
(For use with WH30 and WH36)

- 250 CFM Squirrel Cage Motor
- 6" Round exhaust duct

- 370 CFM Squirrel Cage Motor
- 6" Round exhaust duct

BUF01ABIS (Biscuit)  
 BUF01AWH (White)  
 BUF01ABK (Black)  
 BUF01ASM (Silver Metallic)  
 BUF01ASUS (Stainless Steel)

BUF02ABIS (Biscuit)  
 BUF02AWH (White)  
 BUF02ABK (Black)  
 BUF02ASM (Silver Metallic)  
 BUF02ASUS (Stainless Steel)

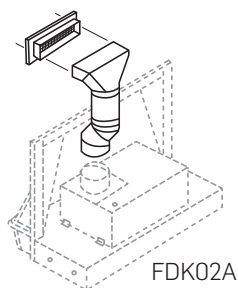


**BLOWER UNITS – PROPELLER FAN**

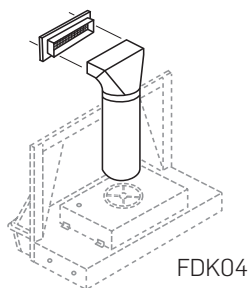
(For use with WH30 and WH36)

- 240 CFM Axial Propeller Fan
- 6" Round exhaust duct

BUF04BIS (Biscuit)  
 BUF04WH (White)  
 BUF04BK (Black)  
 BUF04SM (Silver Metallic)



FDK02A

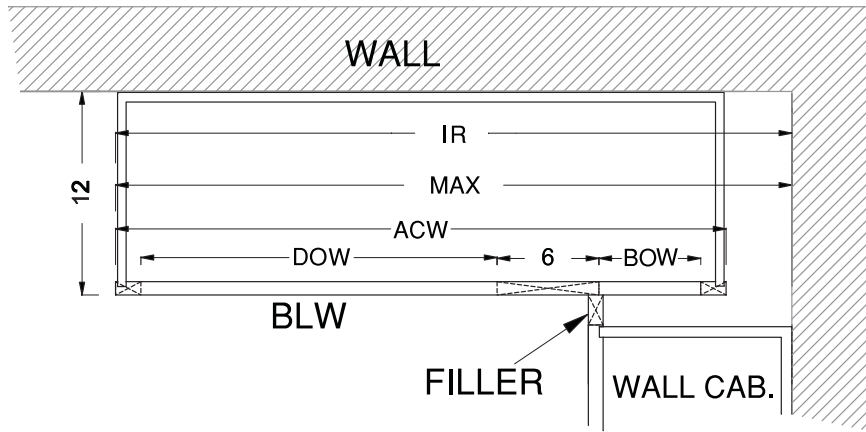


FDK04

**BLOWER UNITS ACCESSORIES**

- FDK02A ductless conversion kit for use with BUF01 or BUF02 models
- FDK04 ductless conversion kit for use with BUF04 models
- 6" Round to 3-1/4" x 10" rectangular

**BLIND WALL CABINET INSTRUCTIONS**



TOP VIEW, RIGHT HAND SHOWN

**BLIND WALL CABINETS BY WIDTH**

CABINET	ACW	IR/STD OVERLAY	IR/FULL OVERLAY	MAX	DOW	BOW
BLW24/27__	24"	24" - 27"	25" - 27"	28"	9"	6"
BLW27/30__	27"	27" - 30"	28" - 30"	31"	12"	6"
BLW30/33__	30"	30" - 33"	31" - 33"	34"	15"	6"
BLW33/36__	33"	33" - 36"	34" - 36"	37"	18"	6"
BLW36/39__	36"	36" - 39"	37" - 39"	40"	21"	6"
BLW39/42__	39"	39" - 42"	40" - 42"	43"	10-1/2" (2)*	6"
BLW42/45__	42"	42" - 45"	43" - 45"	46"	12" (2)*	6"

**BLIND CABINETS LEGEND**

ACW	The actual cabinet width
IR	The recommended installation range from the adjacent wall
MAX	The maximum distance the cabinet can pull from the adjacent wall and still affix the adjacent filler/cabinet to the 6" post
DOW	The door opening width dimension
*	Two equal openings separated by a 3" vertical
BOW	The blind opening width dimension

## WALL CABINET FRONT FRAME INSTRUCTIONS & DOOR CALCULATOR

### WALL CABINET FRONT FRAME LEGEND & OPENING FORMULAS

ID	DESCRIPTION	CABINET TYPE	OPENING FORMULA
<b>CW</b>	Cabinet Width	All	Width From Cabinet ID
<b>CH</b>	Cabinet Height	All	Height From Cabinet ID
<b>DOW</b>	Door Opening Width	Single Door	$CW - 3" = DOW$
	Door Opening Width	Double Butt Door	$CW - 3" = DOW$ (For 2 Doors)
	Door Opening Width	Double Door w/Post	$(CW - 6") \div 2 = DOW$
	Door Opening Width	Single Door Blind	$CW - 15" = DOW$
	Door Opening Width	Double Door Blind	$(CW - 18") \div 2 = DOW$
<b>DOH</b>	Door Opening Height	All	$CH - 3-1/2" = DOH$

### DOOR DESCRIPTION

ID	DESCRIPTION
<b>FOD</b>	Full Overlay Door (1/4" Reveal)
<b>SOD</b>	Standard Overlay Door

### DOOR DIMENSIONS CALCULATOR – WIDTH

DOOR TYPE	DESCRIPTION OF DOOR TYPE	DOORS PER OPENING	DOOR DIMENSION FORMULA
<b>FODW</b>	Full Overlay Door Width (1/4" Reveal)	1	$DOW + 2-1/2" = FODW$
		2 (Butt Doors)	$(DOW + 2-7/16") \div 2 = FODW$
<b>SODW</b>	Standard Overlay Door Width	1	$DOW + 1" = SODW$
		2 (Butt Doors)	$(DOW + 15/16") \div 2 = SODW$

### DOOR WIDTH EXCEPTIONS

CABINET TYPE	DESCRIPTION OF CABINET	FODW	SODW
<b>WEC</b>	Wall End Cabinet	16"	13"
<b>CW24 &amp; CW27</b>	Corner Wall Cabinet	14-1/2"	15-1/2"
<b>WSQC</b>	Square Corner Wall Cabinet	10-7/8"	10"

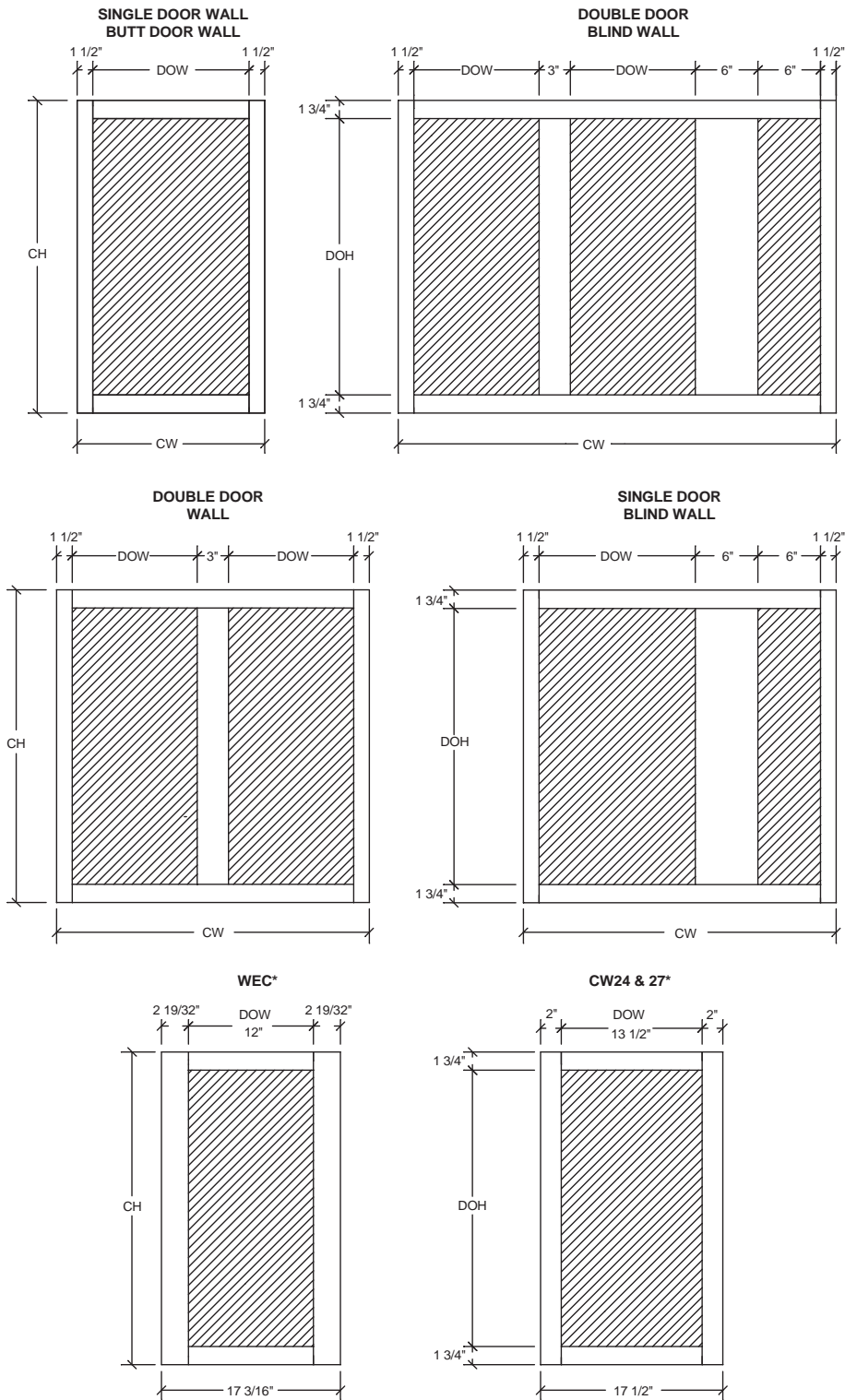
### DOOR DIMENSIONS CALCULATOR – HEIGHT

DOOR TYPE	DESCRIPTION OF DOOR TYPE	DOORS PER OPENING	DOOR DIMENSION FORMULA
<b>FODH</b>	Full Overlay Door Height (1/4" Reveal)	All	$CH - 1" = FODH$
<b>SODH</b>	Standard Overlay Door Height	All	$CH - 2-3/8" = SODH$

### DOOR STYLE IDENTIFICATION

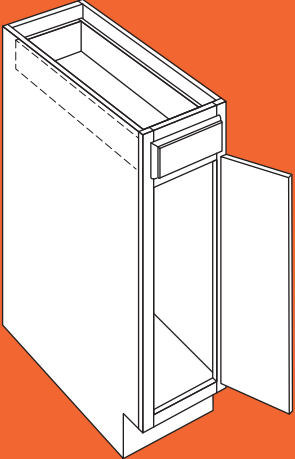
ID	DESCRIPTION
<b>FOD</b>	Addison, Ardmore, Bedford, Belleview, Carlisle, Edinburgh, Freeman, Langdon 5-PC / Arch 5-PC, Langdon Slab / Arch Slab, Lisburn, Marianna, Rossiter, Southampton, Sutton, Trevino, Weston 5-PC / Arch 5-PC, and Weston Slab / Arch Slab
<b>SOD</b>	Benton, Brisbin, Cheswick, Hargrove, Herndon, Norwich, Salerno and Touraine

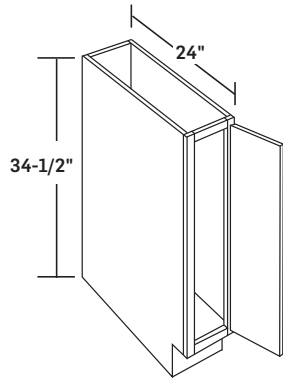
### WALL CABINET FRONT FRAMES



\* = DOOR WIDTH EXCEPTIONS, SEE DOOR DIMENSIONS CALCULATOR

# BASE CABINETS



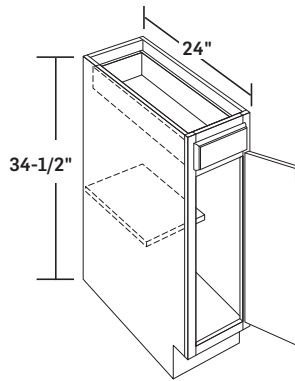


**SINGLE DOOR (FULL HEIGHT) BASE CABINET**

- Two hinges per door
- Full height door
- Specify L or R door hinging

B09 L or R

■ CFO
■ AD
■ FDS
■ FI
■ AW
■ MPE

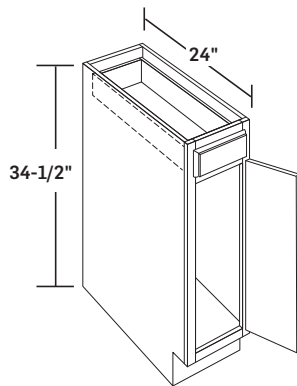


**SINGLE DOOR AND DRAWER BASE CABINETS**

- One 5/8" thick adjustable half depth shelf
- Two hinges per door
- Specify L or R door hinging
- **Carlisle has two butt doors on B24**

B12 L or R  
 B15 L or R  
 B18 L or R  
 B21 L or R  
 B24 L or R

■ CFO
■ AD
■ FDS
■ FI
■ AW
■ MPE



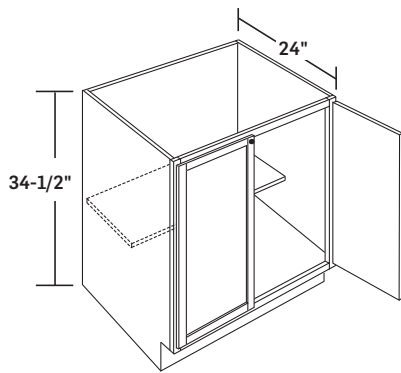
**SINGLE DOOR AND DRAWER BASE CABINETS FOR ACCESSORIES**

- Two hinges per door
- Specify L or R door hinging
- Cabinet shipped without shelf for field installation of accessories. See Accessories and Storage Options brochure.
- **Carlisle has two butt doors on BA24**

BA12 L or R  
 BA15 L or R  
 BA18 L or R  
 BA21 L or R  
 BA24 L or R

■ CFO
■ AD
■ FDS
■ FI
■ AW
■ MPE



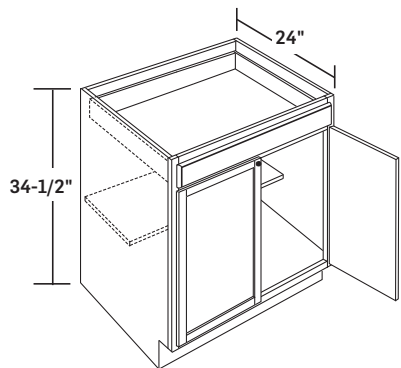


## BUTT DOOR (FULL HEIGHT) BASE CABINETS

- One 5/8" thick adjustable half depth shelf
- Two hinges per door
- Full Height Door

B30BDFH  
B36BDFH

■ CFO
■ AD
■ FDS
FI
■ AW
■ MPE

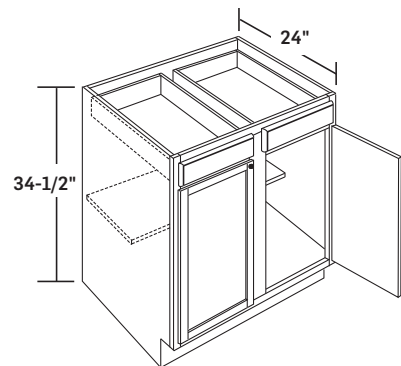


## BUTT DOOR AND WIDE DRAWER BASE CABINETS

- One 5/8" thick adjustable half depth shelf
- Two hinges per door

B24BD  
B27BD  
B30BD  
B33BD

■ CFO
■ AD
■ FDS
FI
■ AW
■ MPE

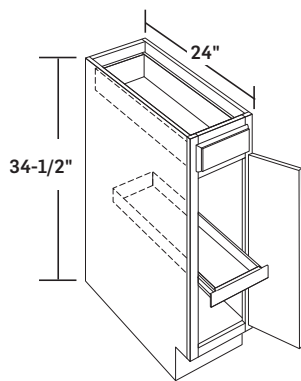


## DOUBLE DOOR AND WIDE DRAWER BASE CABINETS

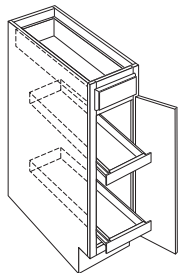
- One 5/8" thick adjustable half depth shelf
- Two hinges per door
- Carlisle has four butt doors on B48

B27  
B30  
B33  
B36  
B39  
B42  
B45  
B48

■ CFO
■ AD
■ FDS
FI
■ AW
■ MPE



ST R shown



ST2 R shown

**SINGLE DOOR AND DRAWER BASE CABINETS WITH SHELF TRAYS**

- Full depth shelf trays
- Two hinges per door
- Specify L or R door hinging
- Carlisle has two butt doors on B24ST and B24ST2

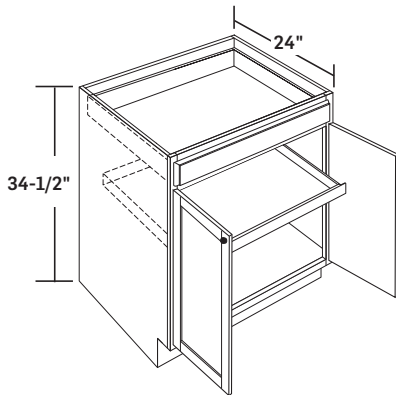
**BASE CABINETS WITH ONE SHELF TRAY**

- B12ST L or R
- B15ST L or R
- B18ST L or R
- B21ST L or R
- B24ST L or R

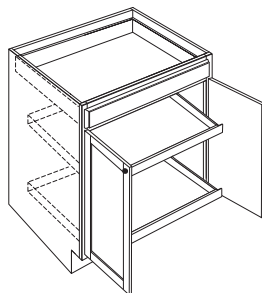
**BASE CABINETS WITH TWO SHELF TRAYS**

- B12ST2 L or R
- B15ST2 L or R
- B18ST2 L or R
- B21ST2 L or R
- B24ST2 L or R

■ CFO
■ AD
■ FDS
■ FI
■ AW
■ MPE



ST shown



ST2 shown

**BUTT DOOR AND WIDE DRAWER BASE CABINETS WITH SHELF TRAYS**

- Full depth shelf trays
- Two hinges per door

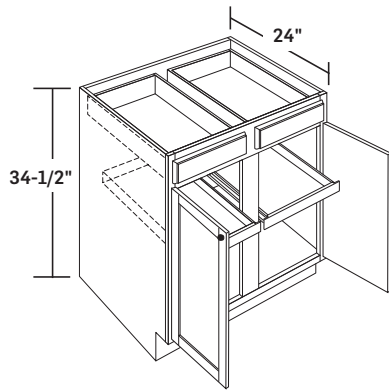
**BASE CABINETS WITH ONE SHELF TRAY**

- B24BDST
- B27BDST
- B30BDST
- B33BDST

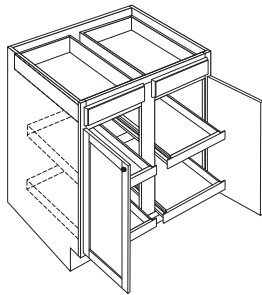
**BASE CABINETS WITH TWO SHELF TRAYS**

- B24BDST2
- B27BDST2
- B30BDST2
- B33BDST2

■ CFO
■ AD
■ FDS
■ FI
■ AW
■ MPE



ST2 shown



ST4 shown

## DOUBLE DOOR AND DRAWER BASE CABINETS WITH SHELF TRAYS

- Full depth shelf trays
- Two hinges per door
- Carlisle has four butt doors on B48ST2 and B48ST4

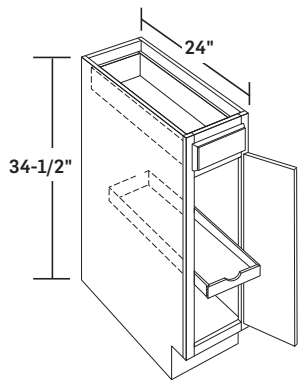
### BASE CABINETS WITH TWO SHELF TRAYS

B27ST2  
B30ST2  
B33ST2  
B36ST2  
B39ST2  
B42ST2  
B45ST2  
B48ST2

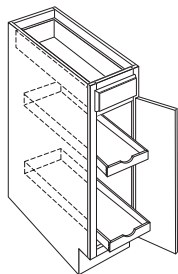
### BASE CABINETS WITH FOUR SHELF TRAYS

B27ST4  
B30ST4  
B33ST4  
B36ST4  
B39ST4  
B42ST4  
B45ST4  
B48ST4

CFO
AD
FDS
FI
AW
MPE



DST R shown



DST2 R shown

## SINGLE DOOR AND DRAWER BASE CABINETS WITH DELUXE SHELF TRAYS

- Full depth dovetail shelf trays with scooped front
- Full extension soft-close guide on shelf tray
- Adjustable system allows for customized vertical tray spacing
- Two hinges per door
- Specify L or R door hinging
- Carlisle has two butt doors on B24DST and B24DST2

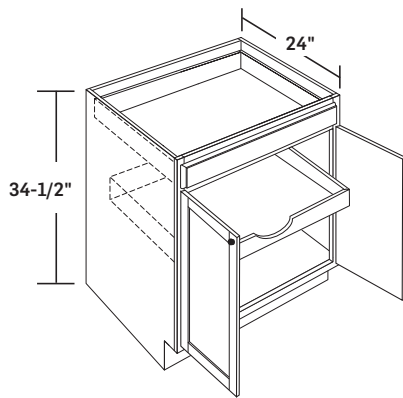
### BASE CABINETS WITH ONE DELUXE SHELF TRAY

B12DST L or R  
B15DST L or R  
B18DST L or R  
B21DST L or R  
B24DST L or R

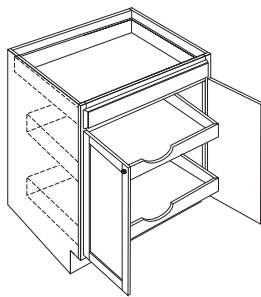
### BASE CABINETS WITH TWO DELUXE SHELF TRAYS

B12DST2 L or R  
B15DST2 L or R  
B18DST2 L or R  
B21DST2 L or R  
B24DST2 L or R

CFO
AD
FDS
FI
AW
MPE



DST shown



DST2 shown

### BUTT DOOR AND WIDE DRAWER BASE CABINETS WITH DELUXE SHELF TRAYS

- Full depth dovetail shelf trays with scooped front
- Full extension soft-close guide on shelf tray
- Adjustable system allows for customized vertical tray spacing
- Two hinges per door

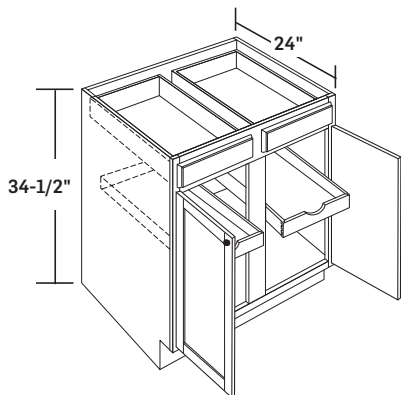
CFO
AD
FDS
FI
AW
MPE

#### BASE CABINETS WITH ONE DELUXE SHELF TRAY

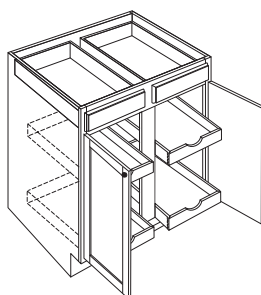
- B24BDDST
- B27BDDST
- B30BDDST
- B33BDDST

#### BASE CABINETS WITH TWO DELUXE SHELF TRAYS

- B24BDDST2
- B27BDDST2
- B30BDDST2
- B33BDDST2



DST2 shown



DST4 shown

### DOUBLE DOOR AND DRAWER BASE CABINETS WITH DELUXE SHELF TRAYS

- Full depth dovetail shelf trays with scooped fronts
- Full extension soft-close guide on shelf trays
- Adjustable system allows for customized vertical tray spacing
- Two hinges per door
- Carlisle has four butt doors on B48DST2 and B48DST4

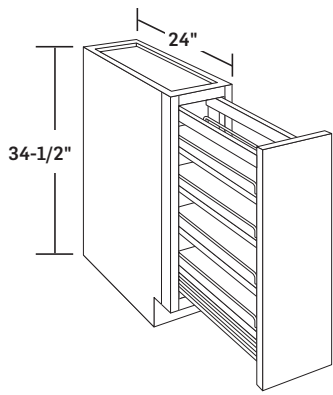
CFO
AD
FDS
FI
AW
MPE

#### BASE CABINETS WITH TWO DELUXE SHELF TRAYS

- B27DST2
- B30DST2
- B33DST2
- B36DST2
- B39DST2
- B42DST2
- B45DST2
- B48DST2

#### BASE CABINETS WITH FOUR DELUXE SHELF TRAYS

- B27DST4
- B30DST4
- B33DST4
- B36DST4
- B39DST4
- B42DST4
- B45DST4
- B48DST4



**SINGLE DOOR (FULL HEIGHT) BASE CABINETS WITH PULL OUT SHELVES**

- Wood adjustable shelves
- Full extension slides
- Attached full height door
- No hinging

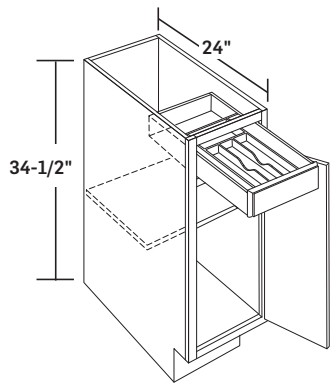
**WITHOUT SOFT-CLOSE**

B09PPO

**WITH SOFT-CLOSE**

B09PPOSC

CFO
AD
FDS
FI
AW
MPE



**SINGLE DOOR AND DRAWER BASE CABINETS WITH CUTLERY DIVIDER**

- One standard drawer depth wood cutlery divider
- One 5/8" thick adjustable half depth shelf
- Two hinges per door
- Specify L or R door hinging

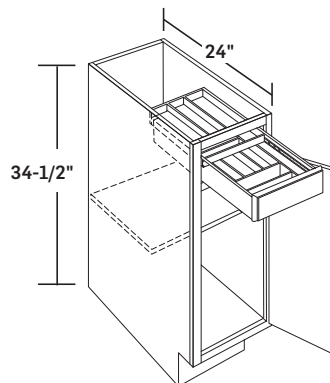
B15CD L or R

B18CD L or R

B21CD L or R

B24CD L or R

CFO
AD
FDS
FI
AW
MPE



**SINGLE DOOR AND DRAWER BASE CABINETS WITH TIERED CUTLERY DIVIDER**

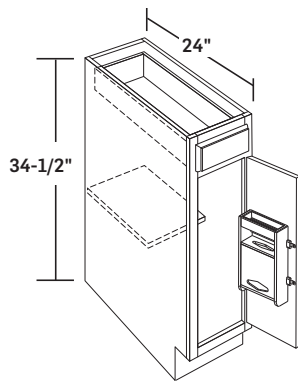
- One standard drawer depth wood tiered cutlery divider
- One 5/8" thick adjustable half depth shelf
- Two hinges per door
- Specify L or R door hinging
- Soft-close undermount full extension drawer guides standard
- Cabinet comes standard with a dovetail drawer

B15TCD L or R

B18TCD L or R

B21TCD L or R

CFO
AD
FDS
FI
AW
MPE

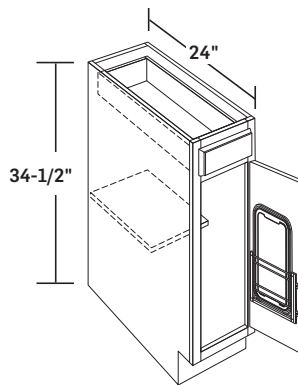


**SINGLE DOOR AND DRAWER BASE CABINET WITH DOOR MOUNTED GROCERY BAG HOLDER**

- Solid wood grocery bag holder installed on door
- One 5/8" thick adjustable half depth shelf
- Two hinges per door
- Specify L or R door hinging

B18GBH L or R

CFO
AD
FDS
FI
AW
MPE

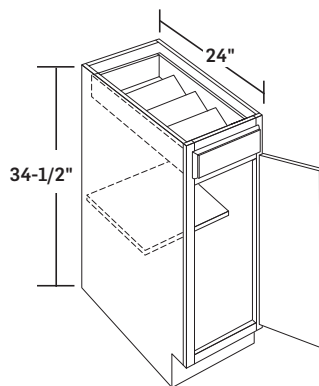


**SINGLE DOOR AND DRAWER BASE CABINETS WITH DOOR MOUNTED CUTTING BOARD**

- Polymer cutting board installed on door
- One 5/8" thick adjustable half depth shelf
- Two hinges per door
- Specify L or R door hinging

B15MCB L or R  
B18MCB L or R  
B21MCB L or R

CFO
AD
FDS
FI
AW
MPE

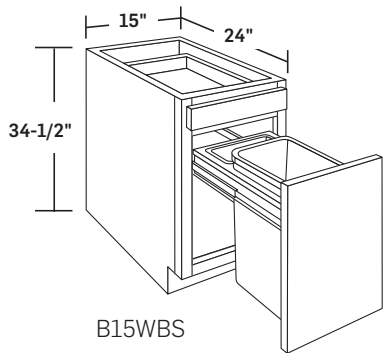


**SINGLE DOOR AND DRAWER BASE CABINETS WITH SPICE DRAWER INSERT**

- One standard drawer depth wood spice drawer insert
- One 5/8" thick adjustable half depth shelf
- Two hinges per door
- Specify L or R door hinging

B18SDI L or R  
B24SDI L or R

CFO
AD
FDS
FI
AW
MPE



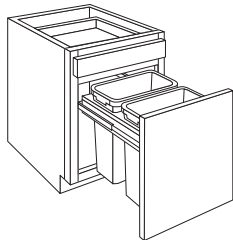
## BASE CABINETS WITH FACTORY INSTALLED WASTEBASKETS

- Door is attached to wastebasket and opens as drawer
- 35 qt. removable trash containers
- Full extension slides

### B15 BASE CABINET WITH ONE WASTEBASKET

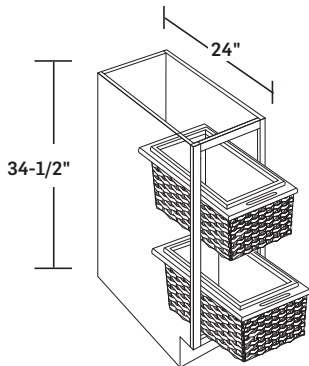
B15WBS

CFO
AD
FDS
FI
AW
MPE



### B18 BASE CABINET WITH TWO WASTEBASKETS

B18WBD



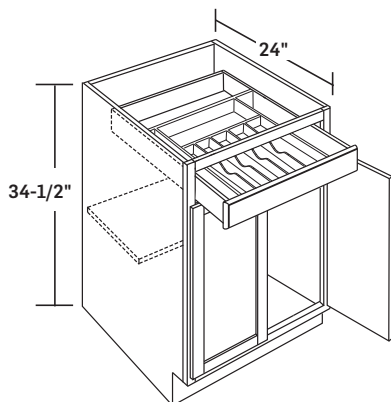
## FULL HEIGHT BASE CABINETS WITH PULL-OUT RATTAN BASKETS

- Two standard depth pull-out rattan baskets
- Rattan basket liners included
- AllWood construction only
- Comes with finished interior

BOC15RB

BOC18RB

CFO
AD
FDS
FI
AW
MPE

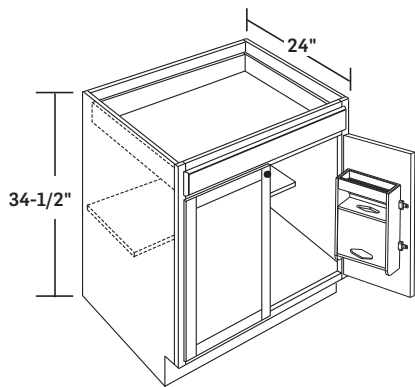


## BUTT DOOR AND WIDE DRAWER BASE CABINET WITH CUTLERY DIVIDER

- One standard drawer depth wood cutlery divider
- One 5/8" thick adjustable half depth shelf
- Two hinges per door

B24BDCD

CFO
AD
FDS
FI
AW
MPE

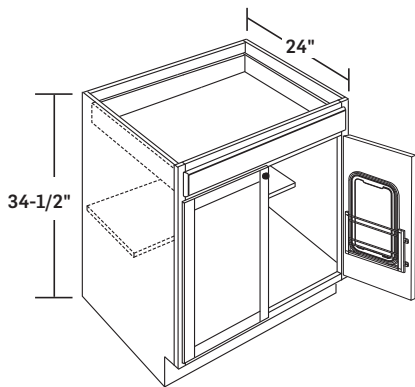


**BUTT DOOR AND WIDE DRAWER BASE CABINETS WITH DOOR MOUNTED GROCERY BAG HOLDER**

- Solid wood grocery bag holder installed on right door
- One 5/8" thick adjustable half depth shelf
- Two hinges per door

B30BDGBH  
B33BDGBH

CFO
AD
FDS
FI
AW
MPE

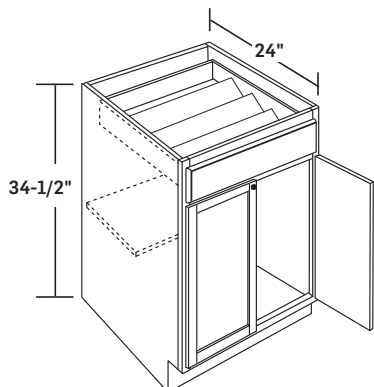


**BUTT DOOR AND WIDE DRAWER BASE CABINETS WITH DOOR MOUNTED CUTTING BOARD**

- Polymer cutting board installed on right door
- One 5/8" thick adjustable half depth shelf
- Two hinges per door

B30BDMCB  
B33BDMCB

CFO
AD
FDS
FI
AW
MPE



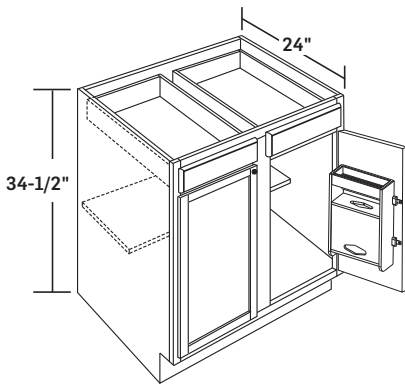
**BUTT DOOR AND WIDE DRAWER BASE CABINET WITH SPICE DRAWER INSERT**

- One standard drawer depth wood spice drawer insert
- One 5/8" thick adjustable half depth shelf
- Two hinges per door

B24BDSDI

CFO
AD
FDS
FI
AW
MPE



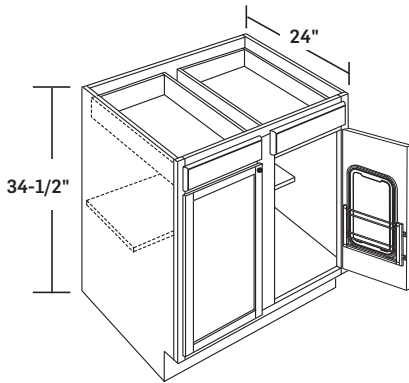


**DOUBLE DOOR AND DRAWER BASE CABINETS WITH DOOR MOUNTED GROCERY BAG HOLDER**

- Solid wood grocery bag holder mounted on right door
- One 5/8" thick adjustable half depth shelf
- Two hinges per door

B30GBH  
 B33GBH  
 B36GBH  
 B39GBH  
 B42GBH

CFO
AD
FDS
FI
AW
MPE

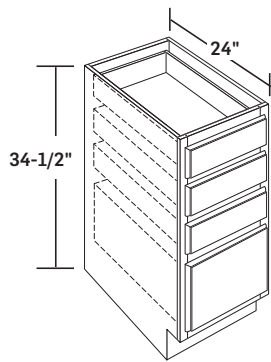


**DOUBLE DOOR AND DRAWER BASE CABINETS WITH DOOR MOUNTED CUTTING BOARD**

- Polymer cutting board mounted on right door
- One 5/8" thick adjustable half depth shelf
- Two hinges per door

B30MCB  
 B33MCB  
 B36MCB  
 B39MCB  
 B42MCB

CFO
AD
FDS
FI
AW
MPE

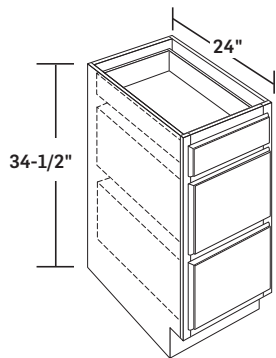


### FOUR DRAWER BASE CABINETS

- Three standard depth drawers on top and one deep drawer on bottom

DB12  
DB15  
DB18  
DB21  
DB24

■ CFO
■ AD
■ FDS
■ FI
■ AW
■ MPE

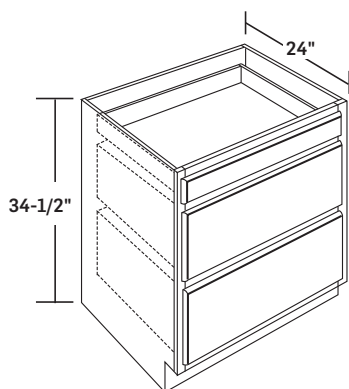


### THREE DRAWER BASE CABINETS

- One standard depth drawer on top and two deep drawers on bottom

DB12-3  
DB15-3  
DB18-3  
DB21-3  
DB24-3

■ CFO
■ AD
■ FDS
■ FI
■ AW
■ MPE

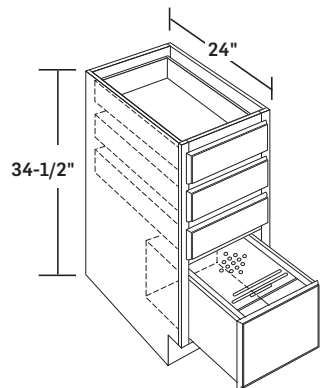


### TRIPLE DRAWER BASE CABINETS

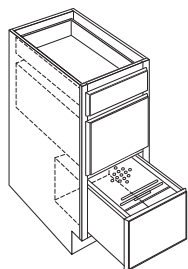
- One standard depth drawer on top and two deep drawers on bottom
- Heavy-duty drawer guide in bottom two drawers
- **When dovetail drawer upgrade is ordered, soft-close will automatically be provided on bottom two large dovetail drawers for 100 lb. load capacity**

DB30  
DB36

■ CFO
■ AD
■ FDS
■ FI
■ AW
■ MPE



BK shown



3BK shown

## DRAWER BASE CABINETS WITH BREAD LID KIT

- Four drawer cabinets have three standard depth drawers on top and one deep drawer on bottom
- Three drawer cabinets have one standard depth drawer on top and two deep drawers on bottom
- Polymer bread lid kit installed in bottom drawer

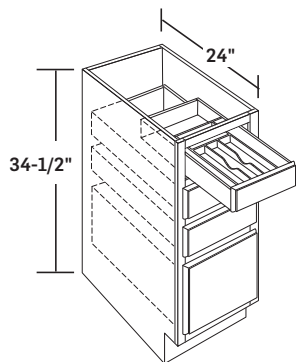
### FOUR DRAWER BASE CABINETS WITH KIT

DB18BK  
DB21BK

### THREE DRAWER BASE CABINETS WITH KIT

DB18-3BK  
DB21-3BK

CFO
AD
FDS
FI
AW
MPE

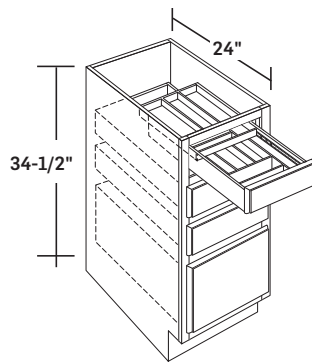


## FOUR DRAWER BASE CABINETS WITH CUTLERY DIVIDER

- Three standard depth drawers on top and one deep drawer on bottom
- Wood cutlery divider installed in top drawer

DB15CD  
DB18CD  
DB21CD  
DB24CD

CFO
AD
FDS
FI
AW
MPE

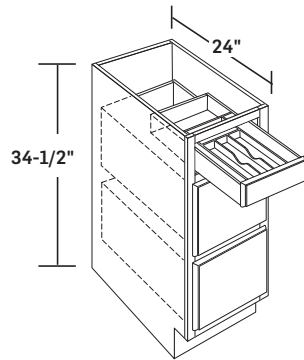


### FOUR DRAWER BASE CABINETS WITH TIERED CUTLERY DIVIDER

- Three standard depth drawers on top and one deep drawer on bottom
- Wood cutlery divider installed in top drawer
- Soft-close undermount full extension drawer guides standard on top drawer only
- Top drawer comes standard with dovetail drawer
- **Upgrade to Dovetail for all drawers to match**

CFO
AD
FDS
FI
AW
MPE

DB15TCD  
DB18TCD  
DB21TCD

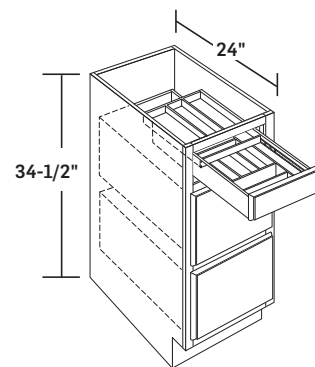


### THREE DRAWER BASE CABINETS WITH CUTLERY DIVIDER

- One standard depth drawer on top and two deep drawers on bottom
- Wood cutlery divider installed in top drawer

CFO
AD
FDS
FI
AW
MPE

DB15-3CD  
DB18-3CD  
DB21-3CD  
DB24-3CD

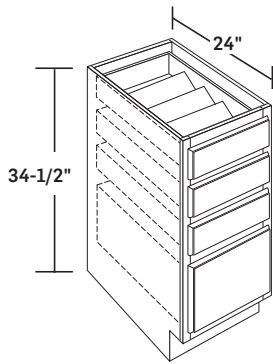


### THREE DRAWER BASE CABINETS WITH TIERED CUTLERY DIVIDER

- One standard depth drawer on top and two deep drawers on bottom
- Wood tiered cutlery divider installed in top drawer
- Soft-close undermount full extension drawer guides standard on top drawer only
- Top drawer comes standard with dovetail drawer
- **Upgrade to Dovetail for all drawers to match**

CFO
AD
FDS
FI
AW
MPE

DB15-3TCD  
DB18-3TCD  
DB21-3TCD



SDI

## DRAWER BASE CABINETS WITH SPICE DRAWER INSERT

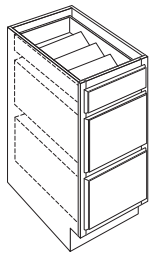
- Four drawer cabinets have three standard depth drawers on top and one deep drawer on bottom
- Three drawer cabinets have one standard depth drawer on top and two deep drawers on bottom
- Wood spice drawer insert installed in top drawer

### FOUR DRAWER BASE CABINETS WITH INSERT

DB18SDI

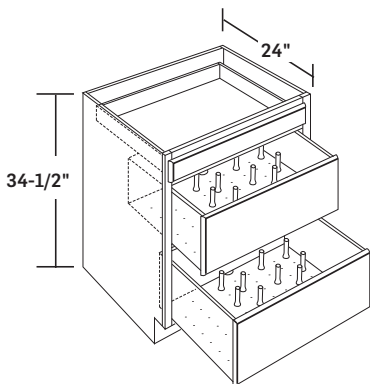
### THREE DRAWER BASE CABINETS WITH INSERT

DB18-3SDI



3SDI

CFO
AD
FDS
FI
AW
MPE



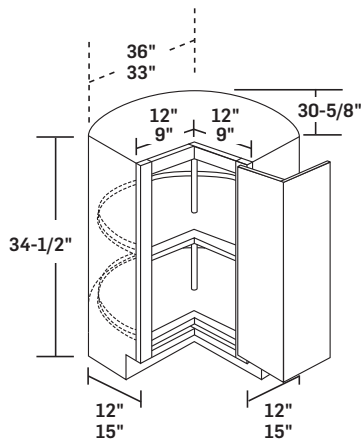
## TRIPLE DRAWER BASE CABINETS WITH PEGGED DISH ORGANIZERS

- One standard drawer on top and two deep drawers on bottom
- Pegged board and pegs installed in bottom two drawers
- Heavy-duty drawer guide in bottom two drawers
- 12 adjustable pegs included per drawer
- When dovetail drawer upgrade is ordered, soft-close will automatically be provided on bottom two large dovetail drawers for 100 lb. load capacity

DB30PDO

DB36PDO

CFO
AD
FDS
FI
AW
MPE



### ROTATING CORNER BASE CABINETS WITH SHELVES

- Two hinges per door
- Specify L or R door hinging
- Gentle-Touch (soft-close) hinge not available
- Two high impact 28" diameter white plastic shelves rotate together
- 28" Wood tray option available. Suffix WT to nomenclature
- BRC33 requires 33" of wall space on both sides. BR36 requires 36" of wall space on both sides
- This unit is NOT designed to be used at the end of a cabinet run.
- **CAUTION: If cabinet is installed next to an appliance deeper than 25", it may interfere with door opening. You should either use a filler or a DWR end panel between the cabinet and appliance.**

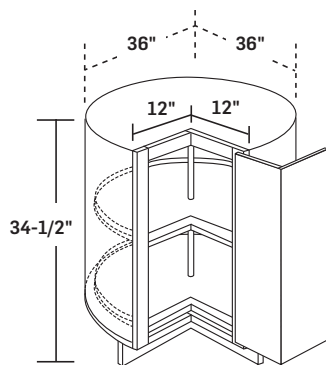
CFO
AD
FDS
FI
AW
MPE

### CABINETS WITH PLASTIC SHELVES

BRC33 L or R  
BRC36 L or R

### CABINETS WITH WOOD TRAYS

BRC33 WT L or R  
BRC36 WT L or R

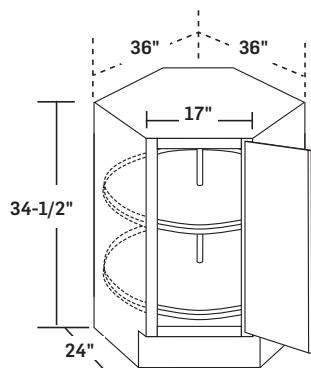


### ROTATING CORNER BASE CABINETS

- Two hinges per door
- Specify L or R door hinging
- Gentle-Touch (soft-close) hinge not available
- Two high impact 24" diameter white plastic shelves rotate together
- Requires 36" of wall space on both sides
- **CAUTION: If cabinet is installed next to an appliance deeper than 25", it may interfere with door opening. You should either use a filler or a DWR end panel between the cabinet and appliance.**
- This unit is NOT designed to be used at the end of a cabinet run

CFO
AD
FDS
FI
AW
MPE

CAR36 L or R

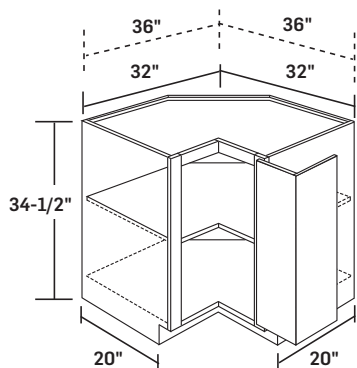


**BASE DIAGONAL CORNER CABINETS**

- Two hinges per door
- Specify L or R door hinging
- Two high impact 28" diameter white plastic shelves rotate together
- 28" Wood tray option available. Suffix WT to nomenclature
- Requires 36" of wall space on both sides
- Available in AllWood construction only
- Not available in thermofoil door styles
- Cabinet at narrowest point (with door attached) is 32-3/4" wide
- **CAUTION: If cabinet is installed next to an appliance deeper than 25", it may interfere with door opening. You should either use a filler or a DWR end panel between the cabinet and appliance.**

CFO
AD
FDS
FI
AW
MPE

BDC36 L or R  
BDC36WT L or R

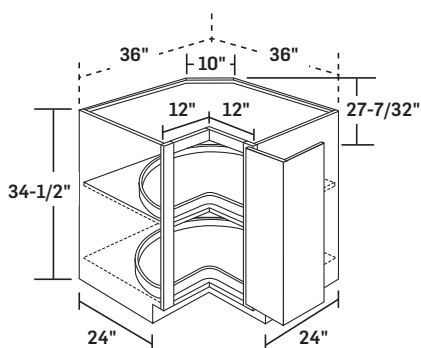


**EASY REACH CORNER BASE CABINET**

- One 5/8" thick fixed shelf
- Two hinges per door
- Specify L or R door hinging
- Gentle-Touch (soft-close) hinge not available
- Requires 36" of wall space on both sides, installs 4" off wall
- **End panels are not finished**
- **CAUTION: If cabinet is installed next to an appliance deeper than 25", it may interfere with door opening. You should either use a filler or a DWR end panel between the cabinet and appliance.**

CFO
AD
FDS
FI
AW
MPE

BSQC36 L or R

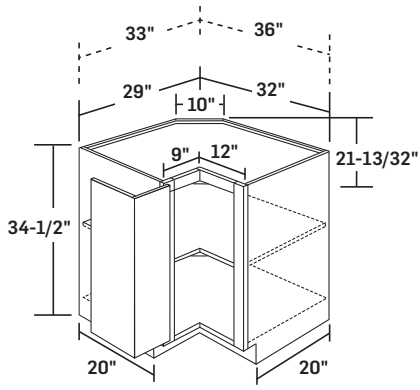


**EASY REACH CORNER BASE CABINET WITH SUPER SUSAN**

- One 5/8" thick fixed shelf
- Two hinges per door
- Specify L or R door hinging
- Gentle-Touch (soft-close) hinge not available
- Requires 36" of wall space on both sides
- Two 32" diameter wood banded kidney shaped trays with swivel mount
- Shelves rotate independently
- **End panels are not finished**
- **CAUTION: If cabinet is installed next to an appliance deeper than 25", it may interfere with door opening. You should either use a filler or a DWR end panel between the cabinet and appliance.**
- **NOTE: 29" door clearance recommended for delivery**

CFO
AD
FDS
FI
AW
MPE

BSQC36SS L or R



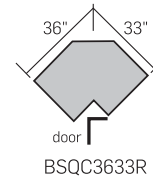
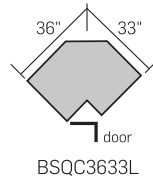
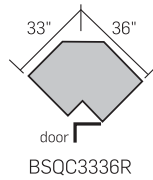
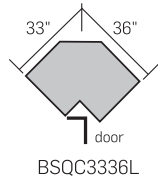
BSQC3336 L shown

### EASY REACH CORNER BASE CABINET WITH ASYMETRICAL DOORS

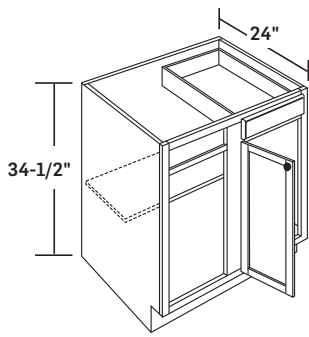
- One 5/8" thick fixed shelf
- Two hinges per door
- Specify L or R door hinging
- Gentle-Touch (soft-close) hinge not available
- Requires 33" of wall space on one wall and 36" of wall space on the other wall. The cabinet is installed 4" off the wall.
- **End panels are not finished**
- **CAUTION: If cabinet is installed next to an appliance deeper than 25", it may interfere with door opening. You should either use a filler or a DWR end panel between the cabinet and appliance.**

CFO
AD
❖ FDS
FI
■ AW
■ MPE

BSQC3336 L or R  
BSQC3636 L or R







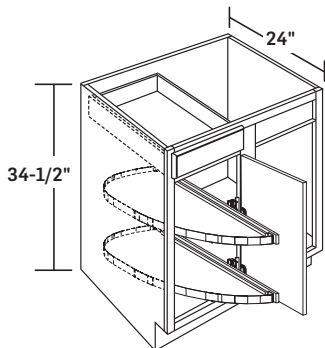
BLB36/39 L shown

**SINGLE DOOR AND DRAWER BLIND BASE CABINETS**

- One 5/8" thick half depth shelf
- Shelf is adjustable on AllWood construction and fixed on Premier construction
- Two hinges per door
- Specify L or R door hinging
- See page 99 for blind cabinet installation instructions
- Filler must be ordered separately. Allow 27" to turn corner.
- In Full Overlay styles order OBLB filler overlay (page 151)
- Blind section of BLB48/51 cabinet has no center horizontal rail.
- Available in Altered Depth (21" and 18").
- **Carlisle has two butt doors on BLB48/51**

■ CFO
■ AD
■ FDS
FI
■ AW
■ MPE

BLB36/39 L or R  
 BLB39/42 L or R  
 BLB42/45 L or R  
 BLB45/48 L or R  
 BLB48/51 L or R



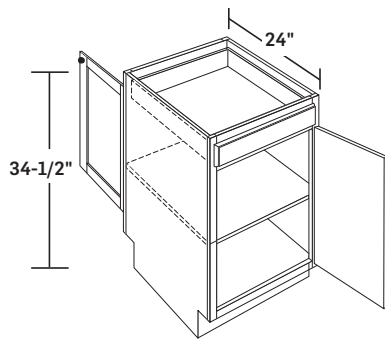
BLB42/45 R shown

**BLIND BASE CABINETS WITH FACTORY INSTALLED LAZY SUSANS**

- Two hinges per door
- Specify L or R door hinging
- Two wood half circle trays pivot and extend partially out for ease of reach
- See page 99 for blind cabinet installation instructions

CFO
AD
FDS
FI
■ AW
■ MPE

BLB42/45WLS L or R  
 BLB45/48WLS L or R

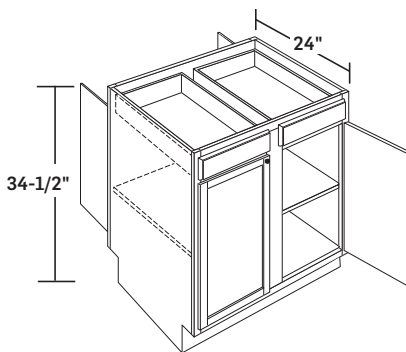


### SINGLE DOOR AND DRAWER PENINSULA BASE CABINET

- One 5/8" thick adjustable full depth shelf
- Two hinges per door
- Specify L or R door hinging
- Single door front and rear
- **Carlisle has two butt doors front and rear.**

CFO
AD
❖ FDS
FI
■ AW
■ MPE

PB24 L or R

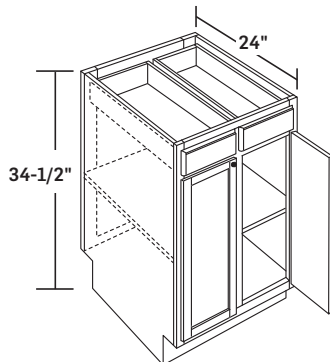


### DOUBLE DOOR AND DRAWER PENINSULA BASE CABINETS

- One 5/8" thick adjustable full depth shelf
- Two hinges per door
- Double doors and drawers front and double doors rear
- **Carlisle has four butt doors and double drawers front and rear on PB48**

CFO
AD
❖ FDS
FI
■ AW
■ MPE

PB30  
PB36  
PB42  
PB48

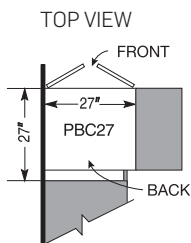


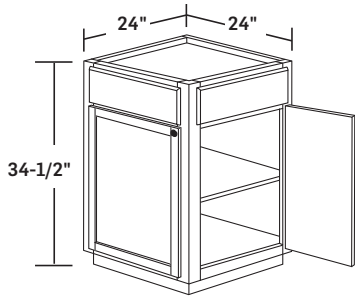
### DOUBLE DOOR AND DRAWER PENINSULA BASE CORNER CABINET

- One 5/8" thick adjustable full depth shelf
- Two hinges per door
- Reversible
- Double door and drawer face frame front. Backside of cabinet has finished 6" filler on both sides with cabinet back.

CFO
AD
❖ FDS
FI
■ AW
■ MPE

PBC27





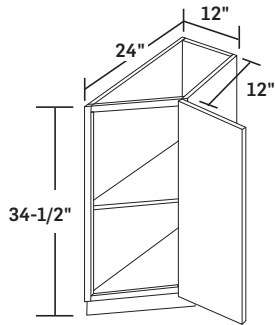
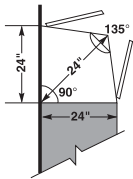
**DOUBLE DOOR BASE END CABINET**

- One 5/8" thick fixed full depth shelf
- Two hinges per door
- Two false drawer fronts
- Reversible
- End panels are not finished

CFO
AD
❖ FDS
FI
■ AW
■ MPE

BEC24

TOP VIEW

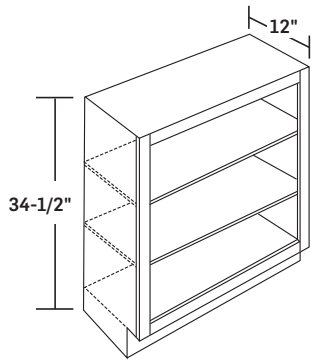
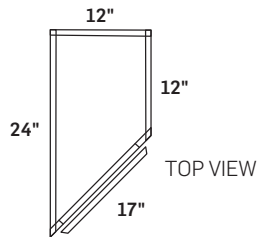


**BASE TRANSITIONAL CABINET**

- Designed to transition from 24" deep base cabinets to 12" deep cabinets
- Can be used at the end of a run of 24" deep base cabinets with the 12" deep end exposed
- One full height door
- Two hinges per door
- Specify L or R door hinge which designated 12" deep end orientation
- Door will always hinge on side with 12" end panel
- One full depth fixed shelf
- Adjacent cabinets can install directly against BTC12 without the need for fillers

CFO
AD
❖ FDS
FI
■ AW
■ MPE

BTC12 L or R

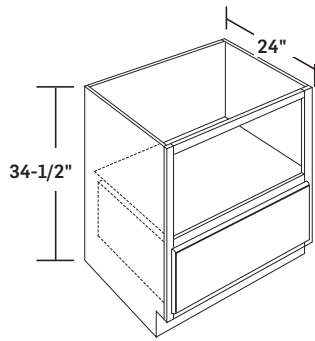


**FINISHED INTERIOR BASE CABINET BOOKCASES**

- Two 5/8" thick adjustable shelves
- Available in oak, maple, or cherry veneer plywood finished interior and exterior. Cherry substituted for rustic alder.
- Available in AllWood construction only
- Not available in thermofoil door styles

CFO
AD
❖ FDS
❖ FI
❖ AW
MPE

BCB2412  
BCB3012  
BCB3612



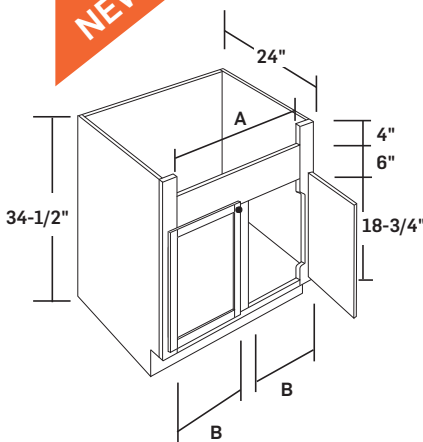
### MICROWAVE BASE CABINETS

- Heavy-duty drawer guides
- **Microwave cabinets do not come with finished interiors in Premier construction**
- AllWood construction comes with oak, maple, or cherry plywood finished interior. Cherry substituted for rustic alder.

CFO
AD
FDS
❖ FI
■ AW
■ MPE

OPENING SIZE

BMC24	15-3/4" H x 21" W
BMC30	15-3/4" H x 27" W



### DOUBLE DOOR BASE RANGE CABINET

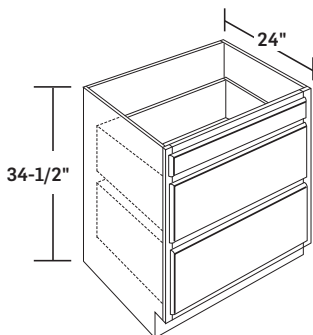
- Designed for use with drop-in cooktop
- Two hinges per door
- Cabinet has 3" stiles

	A	B
SB42RT	36"	16-1/2"

■ CFO
■ AD
FDS
FI
■ AW
■ MPE

MINIMUM / MAXIMUM CUT OUT DIMENSIONS

MODEL	WIDTH		HEIGHT	
	MINIMUM	MAXIMUM	MINIMUM	*MAXIMUM
SB42RT	36"	39"	N/A	8-1/4"

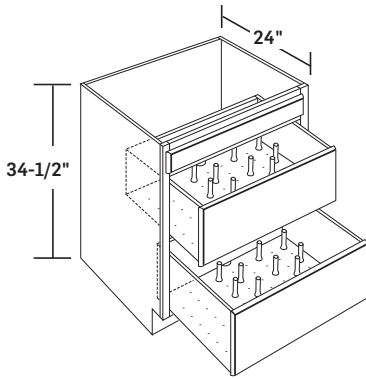


### DRAWER BASE RANGE CABINETS

- One false drawer on top and two deep drawers on bottom
- Designed for use with cooktop
- Heavy-duty drawer guide in bottom two drawers

DBR30  
DBR36

CFO
AD
FDS
FI
■ AW
■ MPE

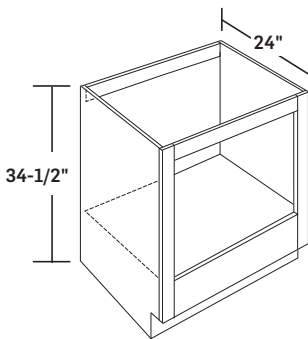


**DRAWER BASE RANGE CABINETS WITH PEGGED DISH ORGANIZERS**

- One false drawer on top and two deep drawers on bottom
- Designed for use with cooktop
- Wood peg organization system installed in both deep drawers
- Used for pots, pans, and lid organization
- 12 adjustable pegs included per drawer
- Heavy-duty drawer guide in bottom two drawers

CFO
AD
FDS
FI
AW
MPE

DBR30PDO  
DBR36PDO



**BASE OVEN CABINETS**

- For under counter installation of single oven
- Plywood floor
- Trimmable 3" stiles

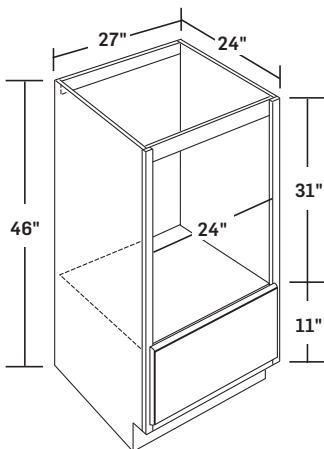
CFO
AD
FDS
FI
AW
MPE

BOV27  
BOV30  
BOV33

**MINIMUM / MAXIMUM CUT OUT DIMENSIONS**

MODEL	WIDTH		HEIGHT	
	MINIMUM	MAXIMUM	MINIMUM	*MAXIMUM
BOV27	21"	25"	18-1/4"	28-3/4"
BOV30	24"	28"	18-1/4"	28-3/4"
BOV33	27"	31"	18-1/4"	28-3/4"

\*With top rail removed

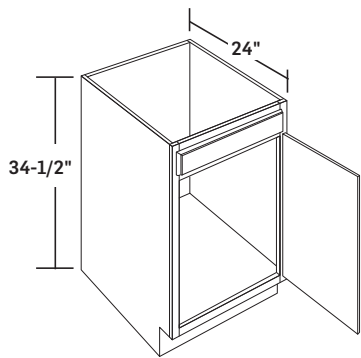


**BASE DISHWASHER CABINET**

- Allows for 11" raised installation of standard dishwasher
- False drawer front
- Finished top required
- Plywood floor
- Top rail is removable (used for shipping purposes only)

CFO
AD
FDS
FI
AW
MPE

BDW27

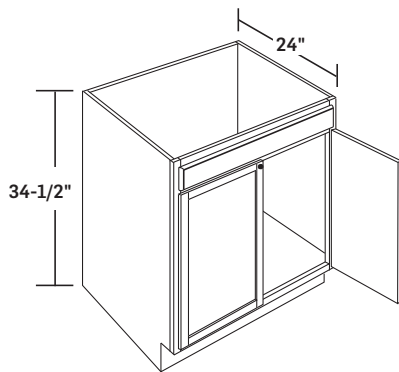


**SINGLE DOOR SINK BASE CABINETS**

- Two hinges per door
- Specify L or R door hinging
- **Carlisle has two butt doors on SB24**

SB18 L or R  
 SB21 L or R  
 SB24 L or R

CFD
AD
FDS
FI
AW
MPE

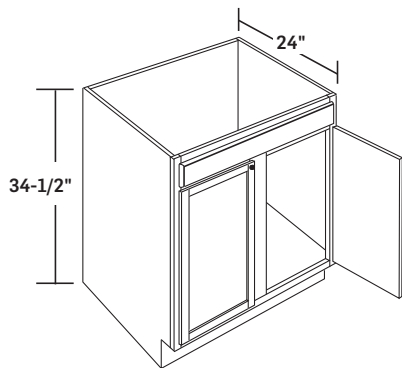


**BUTT DOOR SINK BASE CABINETS**

- Two hinges per door

SB24BD  
 SB27BD  
 SB30BD  
 SB33BD

CFD
AD
FDS
FI
AW
MPE



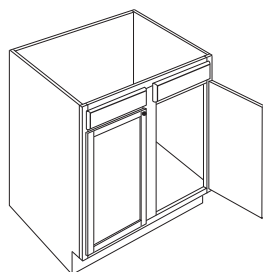
**DOUBLE DOOR SINK BASE CABINETS**

- Two hinges per door
- **Carlisle has four butt doors on SB48**

**SINGLE WIDE DRAWER FRONT SINK BASE CABINETS**

SB27  
 SB30  
 SB33  
 SB36

SB36 shown

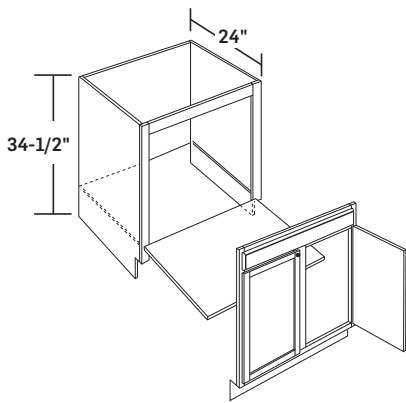


SB39 shown

**DOUBLE DRAWER FRONT SINK BASE CABINETS**

SB39  
 SB42  
 SB45  
 SB48

CFD
AD
FDS
FI
AW
MPE

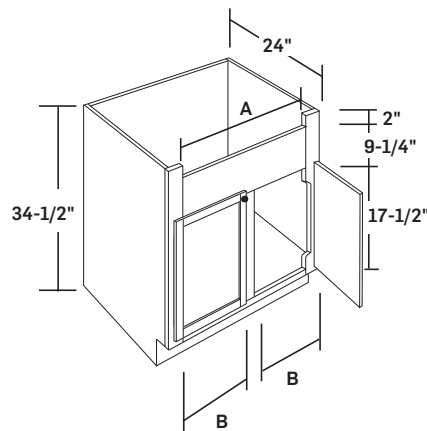


**DOUBLE DOOR SINK BASE CABINET WITH REMOVABLE FRONT**

- Two hinges per door

SB36REM

CFD
AD
FDS
FI
AW
MPE



**DOUBLE DOOR FARM SINK BASE CABINETS**

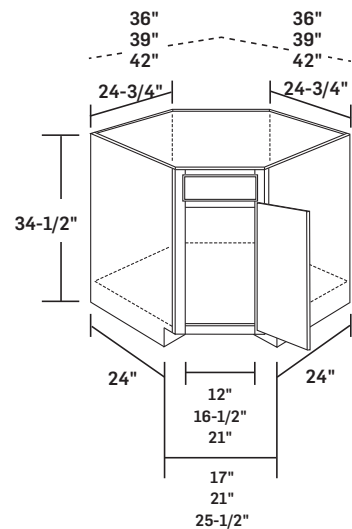
- Two hinges per door
- Farm sink has 3" wide stiles

	A	B
SB30FS	24"	10-1/2"
SB36FS	30"	12"

CFD
AD
FDS
FI
AW
MPE

**MINIMUM / MAXIMUM CUT OUT DIMENSIONS**

MODEL	WIDTH		HEIGHT	
	MINIMUM	MAXIMUM	MINIMUM	*MAXIMUM
SB30FS	24"	27"	N/A	9-3/4"
SB36FS	30"	33"	N/A	9-3/4"



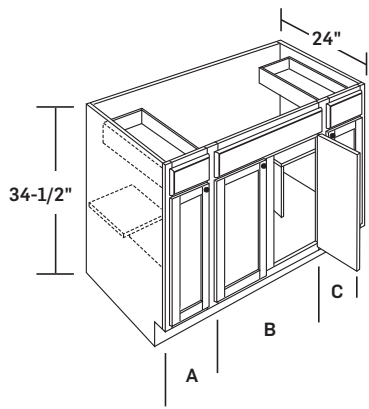
**DIAGONAL SINK BASE CABINETS**

- Specify L or R hinging
- Width dimension is requirement from each back wall
- Complete Cabinet
- Maximum cabinet depth is 27-1/2"
- Ends are finished as standard base cabinet
- Cabinet at narrowest point (with door attached) is 32-3/4" wide
- **Carlisle has two butt doors on DSB42**

DSB36 L or R  
DSB42 L or R

CFD
AD
FDS
FI
AW
MPE

DSB36L shown

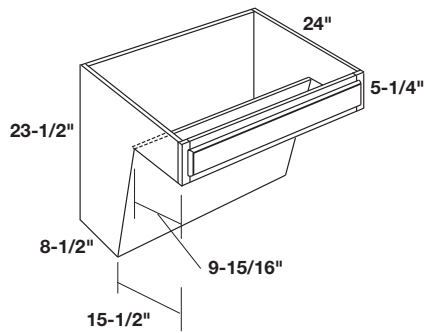


### COMBINATION SINK BASE CABINETS

- Two 5/8" thick adjustable half depth shelves on each side of sink base center cabinet
- Two standard depth drawers on each side with one dummy drawer front center
- Two hinges per door

■ CFO
AD
FDS
FI
■ AW
■ MPE

	A	B	C
SB54	12"	30"	12"
SB60	15"	30"	15"



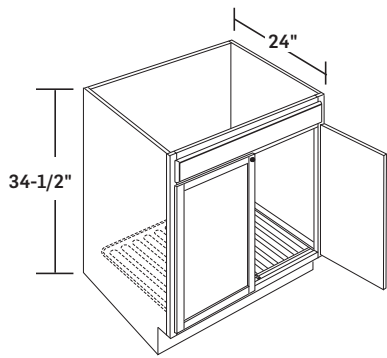
### HANGING WALL SINK BASE PLUMBING SKIRTS

- Plywood construction only
- Altered depth available in 21" only
- **This product comes with a slab drawer front regardless of style ordered**

CFO
■ AD
FDS
FI
AW
■ MPE

HWSB30PS  
HWSB36PS



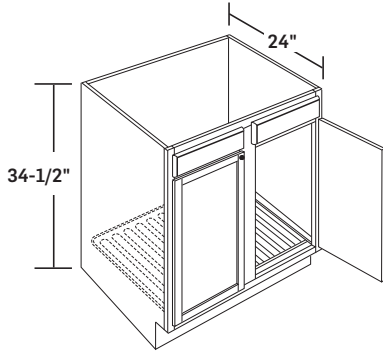


**BUTT DOOR SINK BASE CABINET WITH DRIP TRAYS**

- Two hinges per door
- Polymer drip tray installed in bottom of cabinet

SB30BDDT

CFO
AD
FDS
FI
AW
MPE

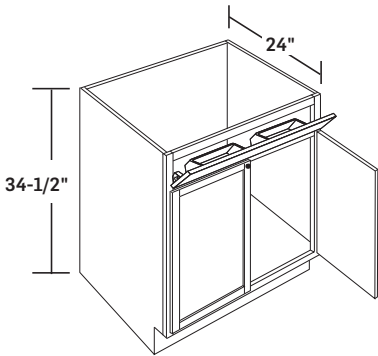


**DOUBLE DOOR SINK BASE CABINETS WITH DRIP TRAYS**

- Two hinges per door
- Polymer drip tray installed in bottom of cabinet

SB30DT  
SB36DT

CFO
AD
FDS
FI
AW
MPE

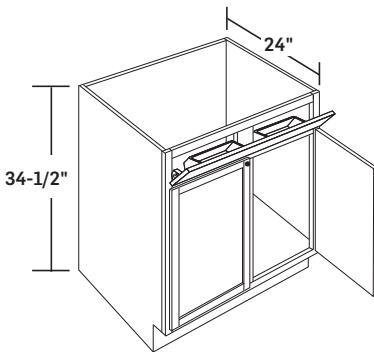


**BUTT DOOR SINK BASE CABINETS WITH TILT-OUT TRAYS**

- Two hinges per door
- Two tilt-out trays
- Self closing tray hinges included

SB27BDTOT  
SB30BDTOT  
SB33BDTOT

CFO
AD
FDS
FI
AW
MPE

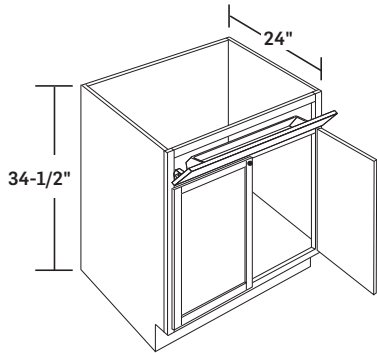


**DOUBLE DOOR SINK BASE CABINETS WITH TILT-OUT TRAYS**

- Two hinges per door
- Two tilt-out trays
- Self closing tray hinges included

SB27TOT  
SB30TOT  
SB33TOT  
SB36TOT

CFO
AD
FDS
FI
AW
MPE

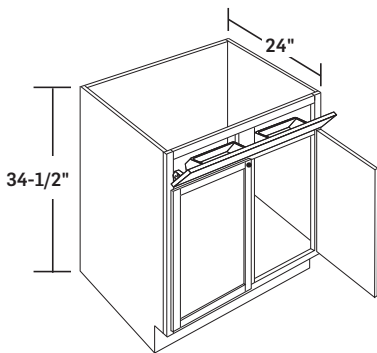


**BUTT DOOR SINK BASE CABINETS WITH SOFT-CLOSE STAINLESS STEEL TILT-OUT TRAY**

- Two hinges per door
- One 22" wide stainless steel tilt-out tray
- Soft-close tray hinging included

SB27BDTOTSS  
SB30BDTOTSS  
SB33BDTOTSS

CFD
AD
FDS
FI
AW
MPE

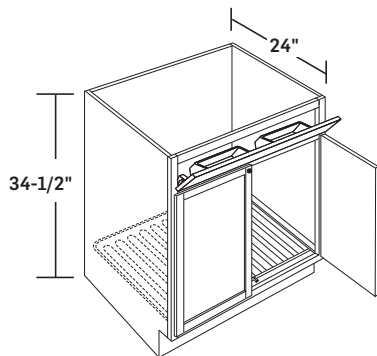


**DOUBLE DOOR SINK BASE CABINETS WITH SOFT-CLOSE STAINLESS STEEL TILT-OUT TRAYS**

- Two hinges per door
- Two 11" wide stainless steel tilt-out trays
- Soft-close tray hinging included

SB30TOTSS  
SB33TOTSS  
SB36TOTSS

CFD
AD
FDS
FI
AW
MPE

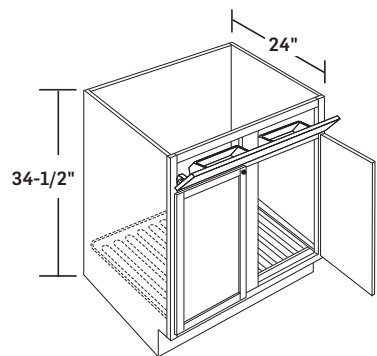


**BUTT DOOR SINK BASE CABINET WITH DRIP TRAY AND TILT-OUT TRAYS**

- Two hinges per door
- Two tilt-out trays
- Polymer drip tray installed in bottom of cabinet.
- Self closing tray hinges included

SB30BDTOTDT

CFD
AD
FDS
FI
AW
MPE

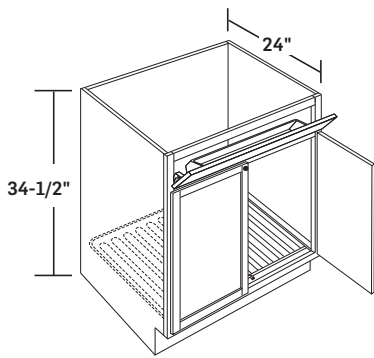


**DOUBLE DOOR SINK BASE CABINETS WITH DRIP TRAY AND TILT-OUT TRAYS**

- Two hinges per door
- Two tilt-out trays
- Polymer drip tray installed in bottom of cabinet.
- Self closing tray hinges included

SB30TOTDT  
SB36TOTDT

CFD
AD
FDS
FI
AW
MPE

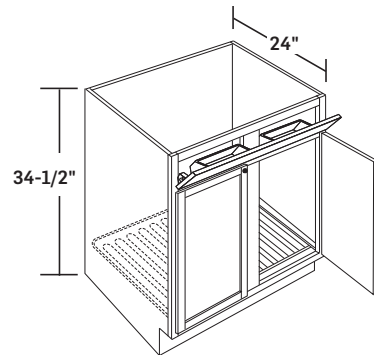


**BUTT DOOR SINK BASE CABINET WITH DRIP TRAY AND SOFT-CLOSE STAINLESS STEEL TILT-OUT TRAY**

- Two hinges per door
- One 22" wide stainless steel tilt-out tray
- Soft-close tray hinging included
- Polymer drip tray installed in bottom of cabinet

SB30BDTOTSSDT

CFO
AD
FDS
FI
AW
MPE

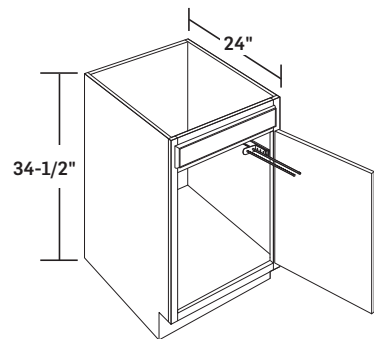


**DOUBLE DOOR SINK BASE CABINETS WITH DRIP TRAY AND SOFT-CLOSE STAINLESS STEEL TILT-OUT TRAYS**

- Two hinges per door
- Two 11" wide stainless steel tilt-out trays
- Soft-close tray hinging included
- Polymer drip tray installed in bottom of cabinet

SB30TOTSSDT  
SB36TOTSSDT

CFO
AD
FDS
FI
AW
MPE

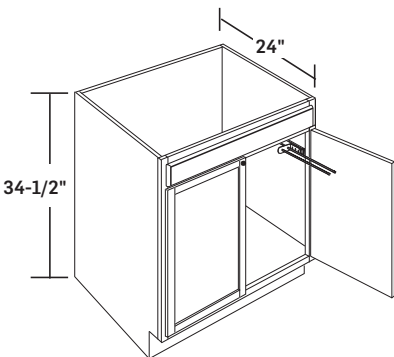


**SINGLE DOOR SINK BASE CABINETS WITH MOUNTED TOWEL BAR**

- Two hinges per door
- Specify L or R door hinging
- Towel bar mounted to right inside wall of cabinet

SB18TB L or R  
SB21TB L or R  
SB24TB L or R

CFO
AD
FDS
FI
AW
MPE

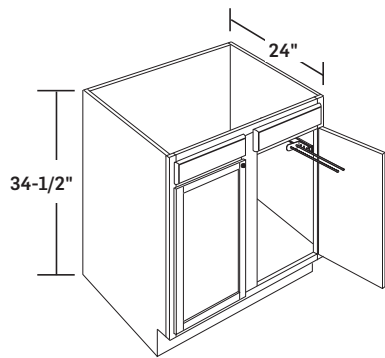


**BUTT DOOR SINK BASE CABINETS WITH MOUNTED TOWEL BAR**

- Two hinges per door
- Towel bar mounted to right inside wall of cabinet

SB24BDTB  
SB27BDTB  
SB30BDTB  
SB33BDTB

CFO
AD
FDS
FI
AW
MPE

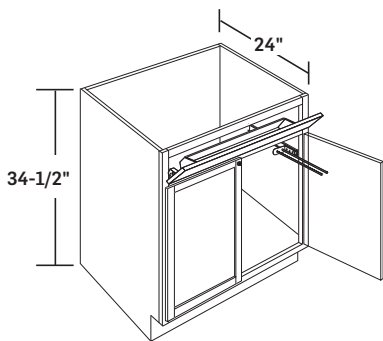


**DOUBLE DOOR SINK BASE CABINETS WITH MOUNTED TOWEL BAR**

- Two hinges per door
- Towel bar mounted to right inside wall of cabinet

SB27TB  
 SB30TB  
 SB33TB  
 SB36TB  
 SB39TB  
 SB42TB  
 SB45TB  
 SB48TB

CFO
AD
FDS
FI
AW
MPE

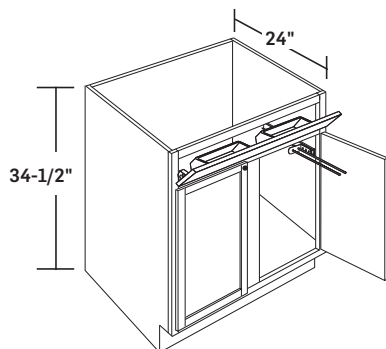


**BUTT DOOR SINK BASE CABINETS WITH SOFT-CLOSE STAINLESS STEEL TILT-OUT TRAY AND MOUNTED TOWEL BAR**

- Two hinges per door
- One 22" wide stainless steel tilt-out tray
- Soft-close tray hinging included
- Towel bar mounted to right inside wall of cabinet

SB27BDTOTSSTB  
 SB30BDTOTSSTB  
 SB33BDTOTSSTB

CFO
AD
FDS
FI
AW
MPE

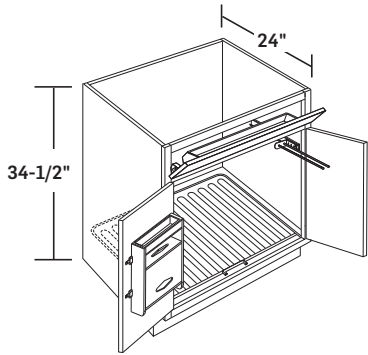


**DOUBLE DOOR SINK BASE CABINETS WITH SOFT-CLOSE STAINLESS STEEL TILT-OUT TRAY AND MOUNTED TOWEL BAR**

- Two hinges per door
- Two 11" wide stainless steel tilt-out trays
- Soft-close tray hinging included
- Towel bar mounted to right inside wall of cabinet

SB30TOTSSTB  
 SB33TOTSSTB  
 SB36TOTSSTB

CFO
AD
FDS
FI
AW
MPE

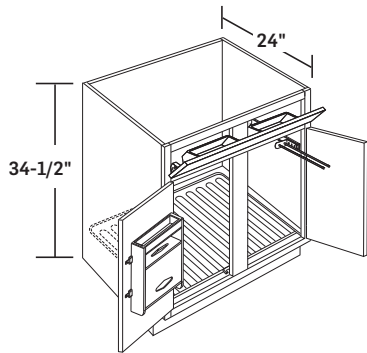


**BUTT DOOR SINK BASE DELUXE CABINET**

- Two hinges per door
- One 22" wide stainless steel tilt-out tray
- Soft-close tray hinging included
- Polymer drip tray installed in bottom of cabinet
- Towel bar mounted to right inside wall of cabinet
- Solid wood grocery bag holder mounted on left cabinet door

CFO
AD
FDS
FI
AW
MPE

SBD30BD

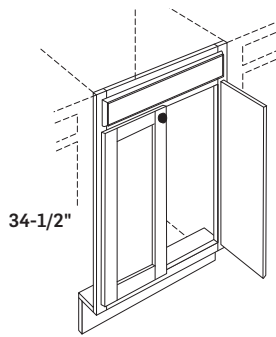


**DOUBLE DOOR SINK BASE DELUXE CABINET**

- Two hinges per door
- Two 11" wide stainless steel tilt-out trays
- Soft-close tray hinging included
- Polymer drip tray installed in bottom of cabinet
- Towel bar mounted to right inside wall of cabinet
- Solid wood grocery bag holder mounted on left cabinet door

CFO
AD
FDS
FI
AW
MPE

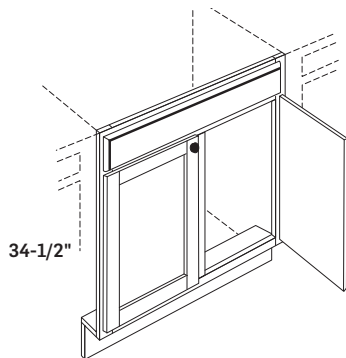
SBD30  
SBD36



### SINGLE DOOR SINK FRONTS

- Two hinges per door
- Specify L or R door hinging
- Non-trimmable
- **Carlisle has two butt doors on SF24**

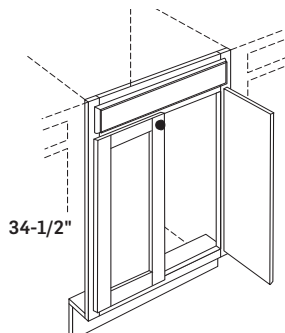
SF18 L or R  
SF21 L or R  
SF24 L or R



### DOUBLE DOOR SINK FRONTS

- Two hinges per door
- SF27 is non-trimmable
- SF27, SF30, SF33 and SF36 have one wide drawer head
- **Carlisle has four butt doors on SF48**

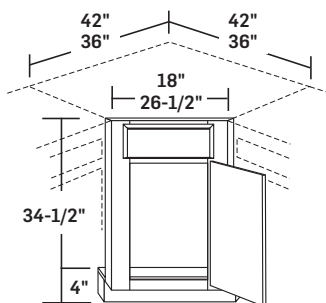
SF27  
SF30  
SF33  
SF36  
SF39  
SF42  
SF45  
SF48



### BUTT DOOR SINK FRONTS

- Non-trimmable

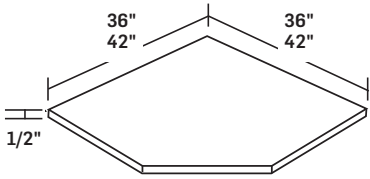
SF27BD  
SF30BD  
SF33BD



### SINGLE DOOR CORNER SINK FRONTS

- Two hinges per door
- Specify L or R door hinging
- **Carlisle has two butt doors on CSF42**

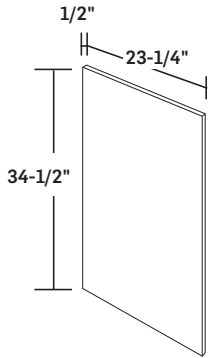
CSF36 L or R  
CSF42 L or R



**CORNER SINK FRONT FLOORS**

- 1/2" thick laminate on composite panel for Premier construction
- 1/2" thick finished plywood for AllWood construction

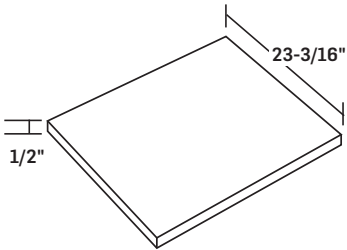
CSFFL36  
CSFFL42



**SINK FRONT RETURN**

- 1/2" thick laminate on composite panel for Premier construction
- 1/2" thick finished plywood for AllWood construction

SFR

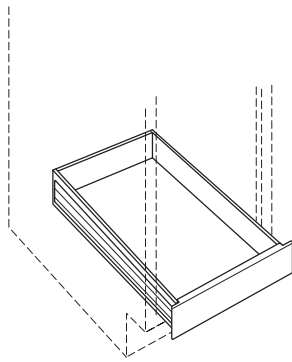


**SINK FRONT FLOORS**

- 1/2" thick laminate on composite panel for Premier construction
- 1/2" thick finished plywood for AllWood construction

FL24	FL42
FL27	FL45
FL30	FL48
FL33	FL60
FL36	FL66
FL39	FL72

**PULL OUT SHELF TRAYS**



- Full depth shelf tray
- Must order two shelf trays for 30", 36", 42" or 48" wide cabinets. (ie: 2-ST18 for 36" wide cabinet)
- Shelf tray shipped with drawer guides for 18", 21", or 24" deep cabinets
- Not available in dovetail construction
- Maximum recommended load: 75 lbs

**18" DEEP PULL OUT SHELF TRAYS**

- ST12x18 (Fits 12" wide cabinets)
- ST15x18 (Fits 15" or 30" wide cabinets)
- ST18x18 (Fits 18" or 36" wide cabinets)
- ST21x18 (Fits 21" or 42" wide cabinets)
- ST24x18 (Fits 24" or 48" wide cabinets)
- ST27x18 (Fits 27" wide cabinets, 2 trays)
- ST33x18 (Fits 33" wide cabinets, 2 trays)
- ST39x18 (Fits 39" wide cabinets, 2 trays)
- ST45x18 (Fits 45" wide cabinets, 2 trays)

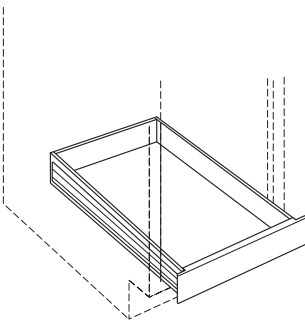
**21" DEEP PULL OUT SHELF TRAYS**

- ST12x21 (Fits 12" wide cabinets)
- ST15x21 (Fits 15" or 30" wide cabinets)
- ST18x21 (Fits 18" or 36" wide cabinets)
- ST21x21 (Fits 21" or 42" wide cabinets)
- ST24x21 (Fits 24" or 48" wide cabinets)
- ST27x21 (Fits 27" wide cabinets, 2 trays)
- ST33x21 (Fits 33" wide cabinets, 2 trays)
- ST39x21 (Fits 39" wide cabinets, 2 trays)
- ST45x21 (Fits 45" wide cabinets, 2 trays)

**24" DEEP PULL OUT SHELF TRAYS**

- ST12 (Fits 12" wide cabinets)
- ST15 (Fits 15" or 30" wide cabinets)
- ST18 (Fits 18" or 36" wide cabinets)
- ST21 (Fits 21" or 42" wide cabinets)
- ST24 (Fits 24" or 48" wide cabinets)
- ST27 (Fits 27" wide cabinets, 2 trays)
- ST33 (Fits 33" wide cabinets, 2 trays)
- ST39 (Fits 39" wide cabinets, 2 trays)
- ST45 (Fits 45" wide cabinets, 2 trays)

**WIDE BUTT DOOR PULL OUT SHELF TRAYS**



- Full depth shelf tray
- Shelf tray shipped with drawer guides for 18", 21", or 24" deep cabinets
- Not available in dovetail construction
- Maximum recommended load: 75 lbs

**18" DEEP PULL OUT SHELF TRAYS**

- ST27BDx18 (Fits 27" wide butt door cabinets)
- ST30BDx18 (Fits 30" wide butt door cabinets)
- ST33BDx18 (Fits 33" wide butt door cabinets)

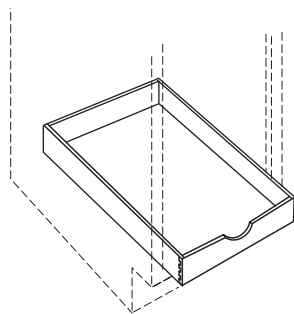
**21" DEEP PULL OUT SHELF TRAYS**

- ST27BDx21 (Fits 27" wide butt door cabinets)
- ST30BDx21 (Fits 30" wide butt door cabinets)
- ST33BDx21 (Fits 33" wide butt door cabinets)

**24" DEEP PULL OUT SHELF TRAYS**

- ST27BD (Fits 27" wide butt door cabinets)
- ST30BD (Fits 30" wide butt door cabinets)
- ST33BD (Fits 33" wide butt door cabinets)





**DELUXE PULL OUT SHELF TRAY KITS**

- 5/8" thick solid wood full depth dovetailed shelf trays with scooped front
- Shelf tray shipped with full extension soft-close drawer guides for 18", 21", or 24" deep cabinets
- Adjustable system allows for customized vertical tray spacing
- **Cabinets with white interiors order DST\_W**  
Example: DST18W or DST18W-2
- Use Altered Depth option to reduce depth to 18" or 21"

CFO
AD
FDS
FI
AW
MPE

**TRAY KITS FOR 12" WIDE CABINETS**

DST12  
DST12-2

**TRAY KITS FOR 15" WIDE CABINETS**

DST15  
DST15-2

**TRAY KITS FOR 18" WIDE CABINETS**

DST18  
DST18-2

**TRAY KITS FOR 21" WIDE CABINETS**

DST21  
DST21-2

**TRAY KITS FOR 24" WIDE CABINETS**

DST24  
DST24-2

**TRAY KITS FOR 27" WIDE CABINETS**

DST27-2  
DST27-4

**TRAY KITS FOR 30" WIDE CABINETS**

DST30-2  
DST30-4

**TRAY KITS FOR 33" WIDE CABINETS**

DST33-2  
DST33-4

**TRAY KITS FOR 36" WIDE CABINETS**

DST36-2  
DST36-4

**TRAY KITS FOR 39" WIDE CABINETS**

DST39-2  
DST39-4

**TRAY KITS FOR 42" WIDE CABINETS**

DST42-2  
DST42-4

**TRAY KITS FOR 45" WIDE CABINETS**

DST45-2  
DST45-4

**TRAY KITS FOR 48" WIDE CABINETS**

DST48-2  
DST48-4

**TRAY KITS FOR 18" WIDE PANTRY CABINETS**

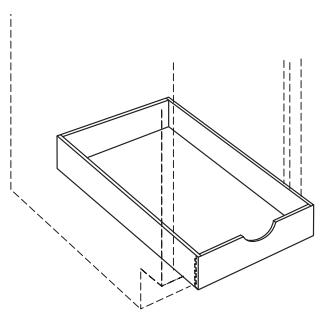
DST18PC

**TRAY KITS FOR 24" WIDE PANTRY CABINETS**

DST24PC

**TRAY KITS FOR 30" WIDE PANTRY CABINETS**

DST30PC



**WIDE BUTT DOOR DELUXE PULL OUT SHELF TRAY KITS**

- 5/8" thick solid wood full depth dovetailed shelf trays with scooped front
- Shelf tray shipped with full extension soft-close drawer guides for 18", 21", or 24" deep cabinets
- Adjustable system allows for customized vertical tray spacing
- **Cabinets with white interiors order DST\_W**  
Example: DST18W or DST18W-2
- Use Altered Depth option to reduce depth to 18" or 21"

CFO
AD
FDS
FI
AW
MPE

**TRAY KITS FOR 27" WIDE BUTT DOOR CABINETS**

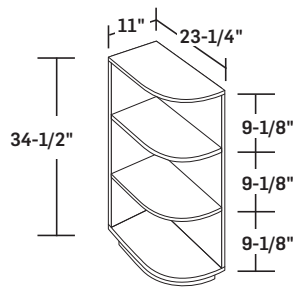
DST27BD  
DST27BD-2

**TRAY KITS FOR 30" WIDE BUTT DOOR CABINETS**

DST30BD  
DST30BD-2

**TRAY KITS FOR 33" WIDE BUTT DOOR CABINETS**

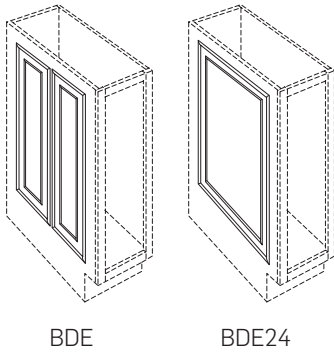
DST33BD  
DST33BD-2



**BASE KNICK KNACK SHELF**

- Available in oak, maple, or cherry veneer
- Reversible
- Shelf radius is 9-1/4"
- Shelves are 3/4" thick

BS24



**BASE CABINET DECORATIVE ENDS**

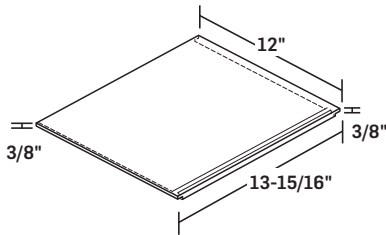
- BDE has two cabinet doors used as decorative end panels  
 Door Measurements:  
 Standard Reveal: 10" w x 27-5/8" h  
 1/4" Reveal Full Overlay: 11-1/2" w x 29" h  
 1/8" Reveal Full Overlay: 11-3/4" w x 29-1/2" h
  - BDE24 has single cabinet door used as decorative end panel  
 Door Measurements:  
 Standard Reveal: 22" W x 27-5/8" H  
 1/4" Reveal Full Overlay: 23-1/2" W x 29" H  
 1/8" Reveal Full Overlay: 23-3/4" W x 29-1/2" H
- Carlisle comes as 2-butt doors**
- Used on end of run base cabinets as finished decorative door
  - Shipped loose for field installation

**TWO CABINET DOORS  
DECORATIVE END**

BDE

**SINGLE CABINET DOOR  
DECORATIVE END**

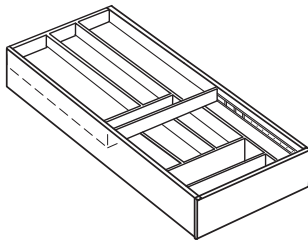
BDE24



**CUTTING BOARD**

- Cutting Board is polymer
- Cutting Board rests on top of any 18" Base Cabinet Drawer
- Grooves to be cut in field

CB18



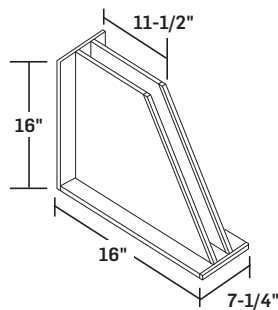
**TIERED CUTLERY DIVIDER KITS**

- Wood cutlery divider that can be installed in top drawer of DB15, DB15-3, DB18, DB18-3, DB21, or DB21-3 drawer base cabinets

TCD15

TCD18

TCD21

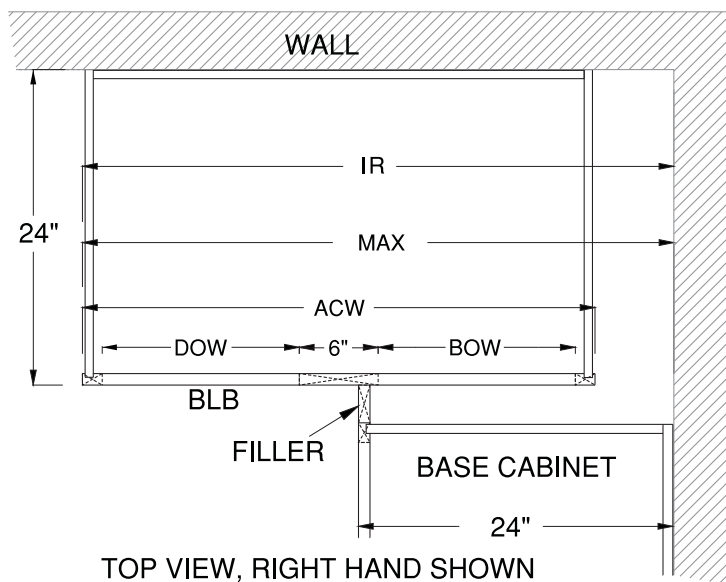


**TRAY DIVIDER**

- Installs in B9 or any BA cabinet
- Clear coat maple veneer construction
- Shipped loose for field installation

TD

### BLIND BASE CABINET INSTRUCTIONS



### BLIND BASE CABINETS BY WIDTH

CABINET	ACW	IR/STD OVERLAY	IR/FULL OVERLAY	MAX	DOW	BOW
BLB36/39	27"	36" – 39"	37" – 39"	40"	9"	9"
BLB39/42	33"	39" – 42"	40" – 42"	43"	12"	12"
BLB42/45	39"	42" – 45"	43" – 45"	46"	15"	15"
BLB45/48	45"	45" – 48"	46" – 48"	49"	18"	18"
BLB48/51*	48"	48" – 51"	49" – 51"	52"	21"	18"

\* Must be ordered with proper L or R designation. Not reversible in the field.

#### BLIND CABINETS LEGEND

ACW	The actual cabinet width
IR	The recommended installation range from the adjacent wall
MAX	The maximum distance the cabinet can pull from the adjacent wall and still affix the adjacent filler/cabinet to the 6" post
DOW	The door opening width dimension
BOW	The blind opening width dimension

#### ADDITIONAL CORNER CLEARANCE GUIDELINES FOR BASE CABINETS

USING PULLS & KNOBS	Add a minimum of 1-1/2" for door/drawer clearance past adjacent pulls and knobs
ADJACENT APPLIANCES	Consult appliance manufacturers installation details
PLEASE NOTE:	Blind cabinets may be pulled (full overlay only) an additional 1-3/4" with the use of the 6" full overlay filler. The adjacent filler/cabinet will not attach to the 6" center post.

## BASE CABINET FRONT FRAME INSTRUCTIONS & DOOR CALCULATOR

### BASE CABINET FRONT FRAME LEGEND & OPENING FORMULAS

ID	DESCRIPTION	CABINET TYPE	OPENING FORMULA
<b>CW</b>	Cabinet Width	All	Width From Cabinet ID
<b>CH</b>	Cabinet Height	All	Height From Cabinet ID
<b>FFH</b>	Front Frame Height	All	CH minus Toe Kick
<b>DOW</b>	Door (Drawer) Opening Width	Single Door	$CW - 3" = DOW$
	Door (Drawer) Opening Width	Double Butt Door	$CW - 3" = DOW$ (For 2 Doors)
	Door (Drawer) Opening Width	Double Door w/Post	$(CW - 6") \div 2 = DOW$
	Door (Drawer) Opening Width	Single Door Blind	$CW - 15" = DOW$
	Door (Drawer) Opening Width	Double Door Blind	$(CW - 18") \div 2 = DOW$
<b>DOH</b>	Door Opening Height	Door and Drawer Base	$CH - 9-1/4" = DOH$
	Door Opening Height	Full Height Door Base	$CH - 7-1/2" = DOH$
	Door Opening Height	Blind Corner Bases	$CH - 9-1/4" = DOH$

### BASE DOOR DIMENSIONS CALCULATOR – WIDTH

DOOR TYPE	DESCRIPTION OF DOOR TYPE	CABINET TYPE	DOOR DIMENSION FORMULA
<b>FODW</b>	Full Overlay Door Width (1/4" Reveal)	1 and 2 Door Bases	$DOW + 2-1/2" = FODW$
		Butt Door Bases	$(DOW + 2-7/16") \div 2 = FODW$
<b>SODW</b>	Standard Overlay Door Width	1 and 2 Door Bases	$DOW + 1" = SODW$
		Butt Door Bases	$(DOW + 15/16") \div 2 = SODW$

### DECIMAL EQUIVALENT CHART LOCATED ON PAGE 26

### BASE DOOR DIMENSIONS CALCULATOR – HEIGHT

DOOR TYPE	DESCRIPTION OF DOOR TYPE	CABINET TYPE	DOOR DIMENSION FORMULA
<b>FODH</b>	Full Overlay Door Height (1/4" Reveal)	Standard Drawer and Door	$DOH + 2-1/4" = FODH$
		Full Height Door	$DOH + 2-1/2" = FODH$
<b>SODH</b>	Standard Overlay Door Height	Standard Drawer and Door	$DOH + 7/8" = SODH$
		Full Height Door	$DOH + 1" = SODH$

### DOOR SIZE EXCEPTIONS

CABINET TYPE	DESCRIPTION OF CABINET	FOD	SOD
<b>CAR</b>	Rotating Corner Base Cabinet		
<b>BSQC</b>	Easy Reach Corner Base Cabinet	10-7/8" x 29-1/2"	10" x 28"
<b>BRC36</b>	Rotating Corner Base Cabinet		
<b>BEC24</b>	Double Door Base End Cabinet	17-1/2" x 23"	16" x 21-5/8"
<b>BDC36</b>	Base Diagonal Corner Cabinet	17-7/8" x 29-1/2"	7-1/8" x 28"
<b>BRC33</b>	Rotating Corner Base Cabinet	14-1/2" x 29-1/2"	13" x 28"

### DRAWER HEAD DIMENSIONS CALCULATOR – WIDTH

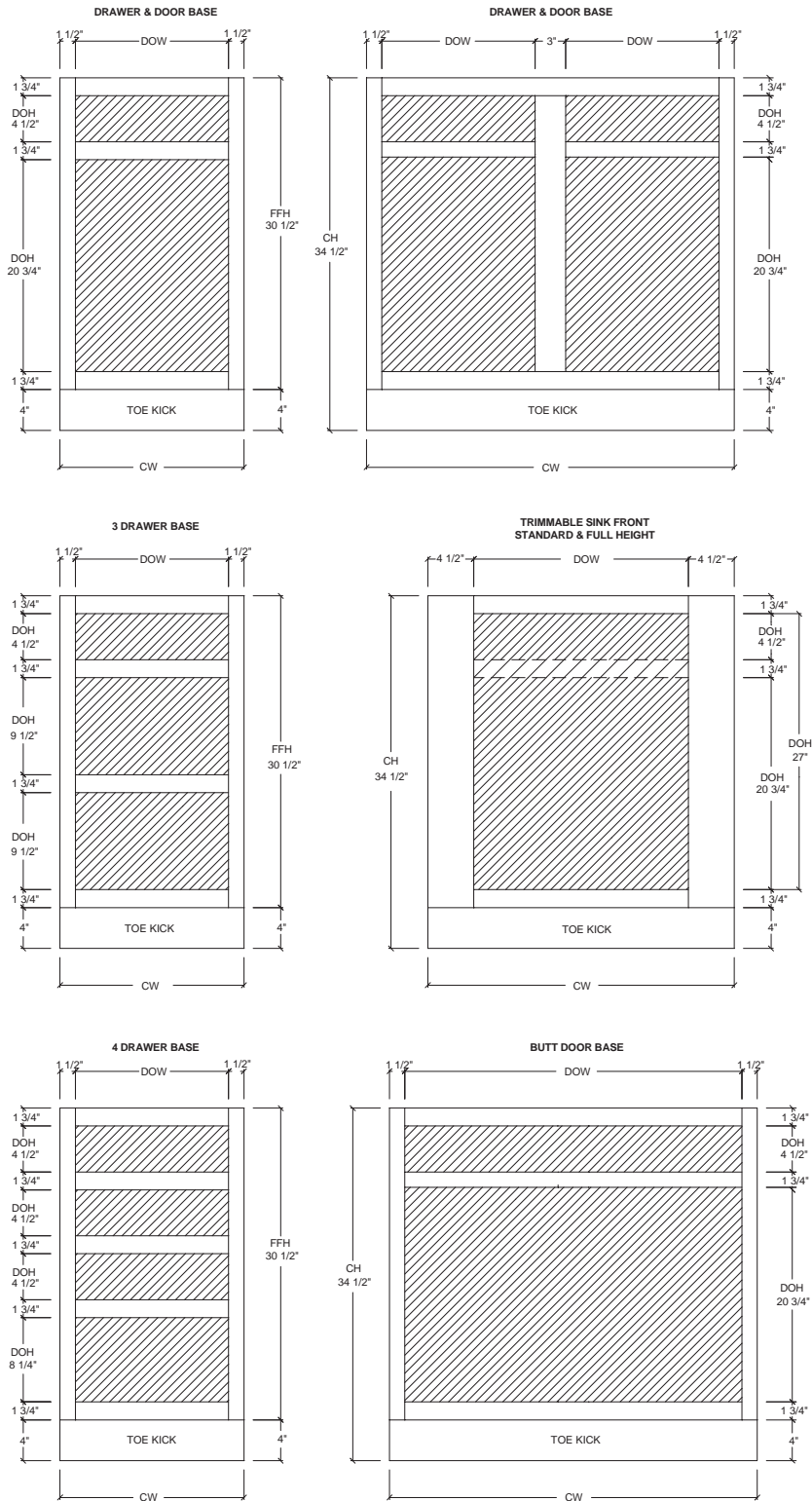
DOOR TYPE	DESCRIPTION OF DOOR TYPE	CABINET TYPE	DOOR DIMENSION FORMULA
<b>FODW</b>	Full Overlay Door Width (1/4" Reveal)	All Base Cabinets	$DOW + 2-1/2" = FODW$
<b>SODW</b>	Standard Overlay Door Width	All Base Cabinets	$DOW + 1" = SODW$

### DECIMAL EQUIVALENT CHART LOCATED ON PAGE 26

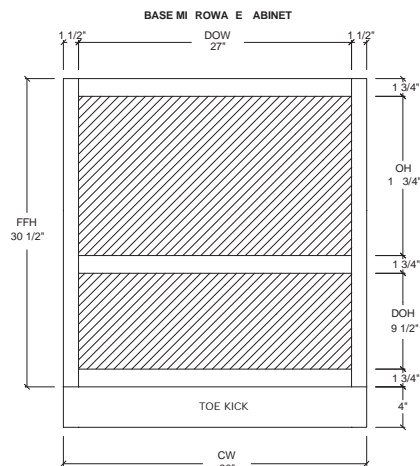
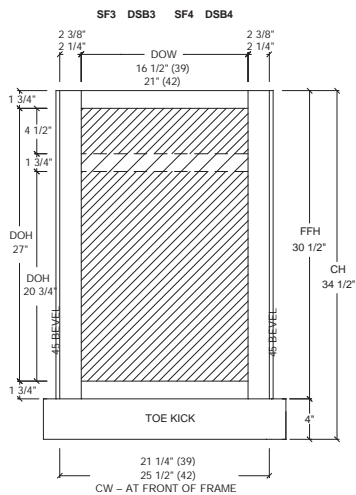
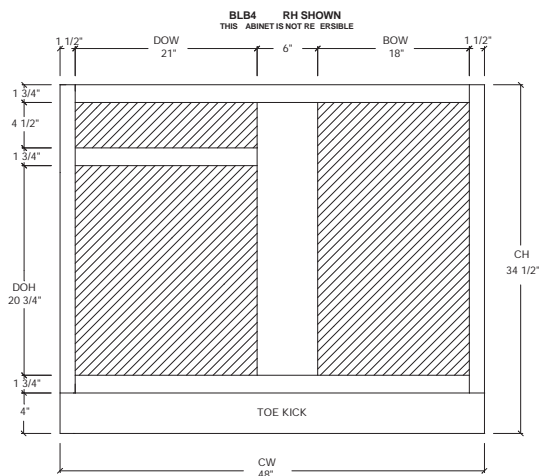
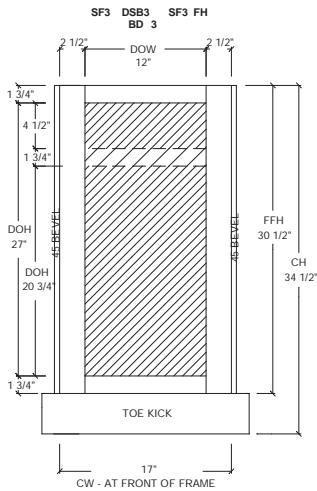
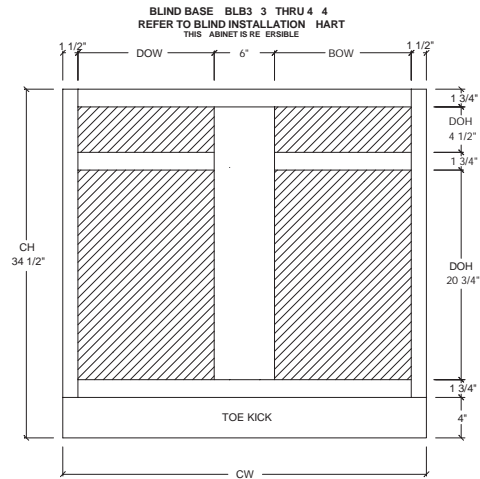
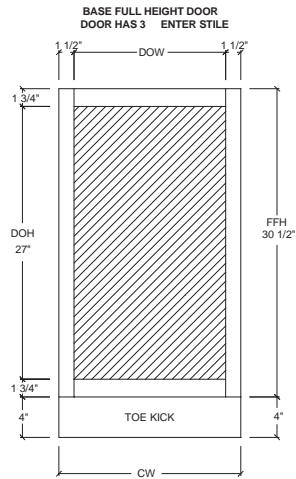
### DRAWER HEAD DIMENSIONS CALCULATOR – HEIGHT

DOOR TYPE	DESCRIPTION OF DOOR TYPE	CABINET TYPE	DOOR DIMENSION FORMULA
<b>FODH</b>	Full Overlay Door Height (1/4" Reveal)	Top Drawers	$DOH + 1-3/4" = FODH$
		Bottom Drawers	
<b>SODH</b>	Standard Overlay Door Height	All Drawers	$DOH + 1/2" = SODH$

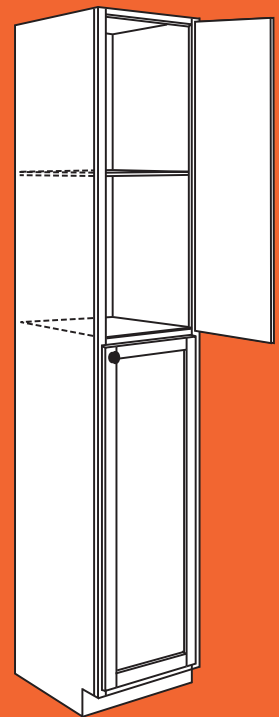
## BASE CABINET FRONT FRAMES



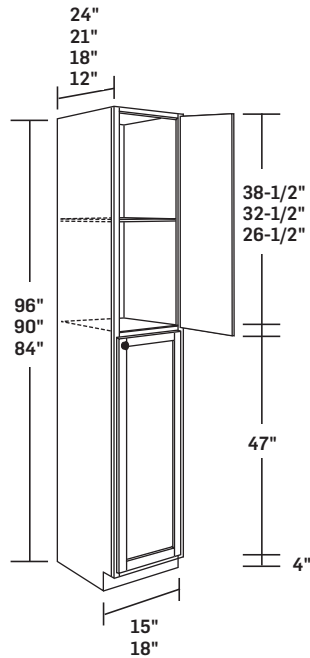
### BASE CABINET FRONT FRAMES



# TALL CABINETS



TALL CABINETS



90" high R shown

### 96", 90" or 84" HIGH x 15" or 18" WIDE SINGLE DOOR UTILITY CABINETS

- 5/8" thick adjustable shelf in upper section
- Lower portion of utility cabinet shipped without shelves
- Order UCS\_ \_ \_ \_ shelves separately for lower section (pg 107)
- Opening height is 46-7/8" in lower section
- 3 hinges per door on lower section
- 3 hinges per door for upper section on 96" tall cabinets
- 2 hinges per door for upper section on 90" and 84" tall cabinets
- Specify L or R door hinging
- Toe kick shipped loose on 96" high cabinets
- Single door top and bottom

CFO
AD
FI
AW
MPE

#### 15" WIDE UTILITY CABINETS

- UC1524x96 L or R (24" depth)
- UC1521x96 L or R (21" depth)
- UC1518x96 L or R (18" depth)
- UC1512x96 L or R (12" depth)

#### 18" WIDE UTILITY CABINETS

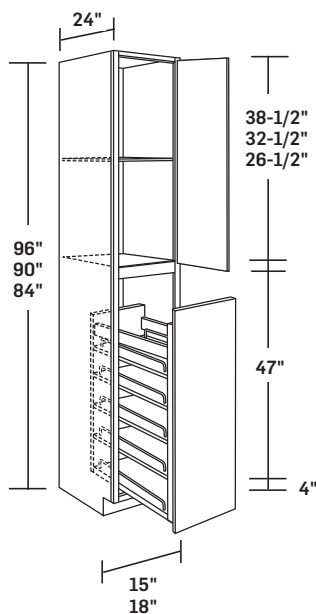
- UC1824x96 L or R (24" depth)
- UC1821x96 L or R (21" depth)
- UC1818x96 L or R (18" depth)
- UC1812x96 L or R (12" depth)

- UC1524x90 L or R (24" depth)
- UC1521x90 L or R (21" depth)
- UC1518x90 L or R (18" depth)
- UC1512x90 L or R (12" depth)

- UC1824x90 L or R (24" depth)
- UC1821x90 L or R (21" depth)
- UC1818x90 L or R (18" depth)
- UC1812x90 L or R (12" depth)

- UC1524 L or R (24" depth, 84" high)
- UC1521 L or R (21" depth, 84" high)
- UC1518 L or R (18" depth, 84" high)
- UC1512 L or R (12" depth, 84" high)

- UC1824 L or R (24" depth, 84" high)
- UC1821 L or R (21" depth, 84" high)
- UC1818 L or R (18" depth, 84" high)
- UC1812 L or R (12" depth, 84" high)



90" high R shown

### 96", 90" or 84" HIGH x 24" DEEP UTILITY CABINETS WITH PULL-OUT SHELF SYSTEM

- 5/8" thick adjustable shelf in upper section
- Lower portion of pull-out pantry unit has three adjustable shelves
- Unit slides out on full extension soft-close runners
- Opening height is 46-7/8" in lower section
- 3 hinges per door for upper section on 96" tall cabinets
- 2 hinges per door for upper section on 90" and 84" tall cabinets
- Specify L or R door hinging
- Toe kick shipped loose on 96" high cabinets
- Single door top and bottom

CFO
AD
FI
AW
MPE

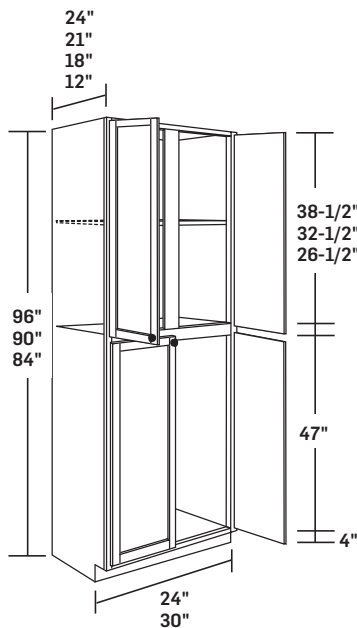
#### 15" WIDE UTILITY CABINETS

- PPO1524x96 L or R
- PPO1524x90 L or R
- PPO1524 L or R (84" high)

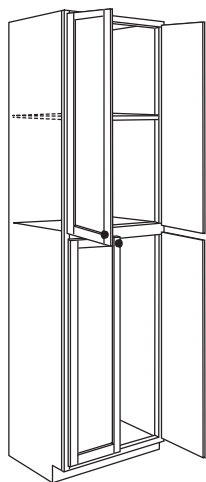
#### 18" WIDE UTILITY CABINETS

- PPO1824x96 L or R
- PPO1824x90 L or R
- PPO1824 L or R (84" high)





90" high x 30" wide shown



24" wide shown

## 96", 90" or 84" HIGH x 24" or 30" WIDE BUTT DOOR UTILITY CABINETS

- 5/8" thick adjustable shelf in upper section
- 24" wide cabinets do not have center vertical stile in upper section
- Lower portion of utility cabinet shipped without shelves
- Order UCS\_\_\_\_\_ shelves separately for lower section (pg 107)
- Opening height is 46-7/8" in lower section
- 3 hinges per door on lower section
- 3 hinges per door for upper section on 96" tall cabinets
- 2 hinges per door for upper section on 90" and 84" tall cabinets
- Toe kick shipped loose on 96" high cabinets
- Butt door top and bottom

### 24" WIDE UTILITY CABINETS

UC2424x96 (24" depth)  
 UC2421x96 (21" depth)  
 UC2418x96 (18" depth)  
 UC2412x96 (12" depth)

UC2424x90 (24" depth)  
 UC2421x90 (21" depth)  
 UC2418x90 (18" depth)  
 UC2412x90 (12" depth)

UC2424 (24" depth, 84" high)  
 UC2421 (21" depth, 84" high)  
 UC2418 (18" depth, 84" high)  
 UC2412 (12" depth, 84" high)

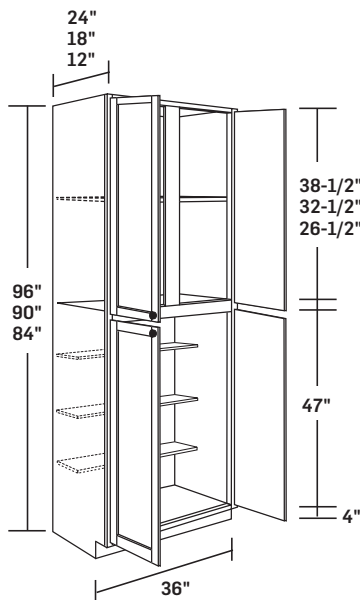
### 30" WIDE UTILITY CABINETS

UC3024x96 (24" depth)  
 UC3018x96 (18" depth)  
 UC3012x96 (12" depth)

UC3024x90 (24" depth)  
 UC3018x90 (18" depth)  
 UC3012x90 (12" depth)

UC3024 (24" depth, 84" high)  
 UC3018 (18" depth, 84" high)  
 UC3012 (12" depth, 84" high)

CFO
AD
FI
AW
MPE



90" high shown

### 96", 90" or 84" HIGH x 36" WIDE BUTT DOOR UTILITY CABINETS

- 5/8" thick adjustable shelf in upper section
- 36" wide cabinets have three 7" deep adjustable shelves shipped on inside lower portion back of cabinet
- Order UCS\_ \_ \_ \_ shelves separately for lower section (pg 107)
- Opening height is 46-7/8" in lower section
- 3 hinges per door on lower section
- 3 hinges per door for upper section on 96" tall cabinets
- 2 hinges per door for upper section on 90" and 84" tall cabinets
- Toe kick shipped loose on 96" high cabinets
- Butt door top and bottom
- **7" shelves come standard on all 36" wide x 24" deep (UC) Utility Cabinets**

### 36" WIDE UTILITY CABINETS

UC3624x96 (24" depth)

UC3618x96 (18" depth)

UC3612x96 (12" depth)

UC3624x90 (24" depth)

UC3618x90 (18" depth)

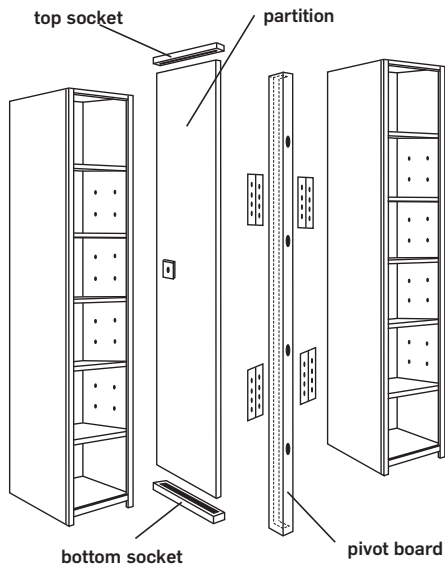
UC3612x90 (12" depth)

UC3624 (24" depth, 84" high)

UC3618 (18" depth, 84" high)

UC3612 (12" depth, 84" high)

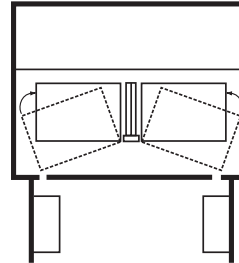
CFO
AD
FI
AW
MPE



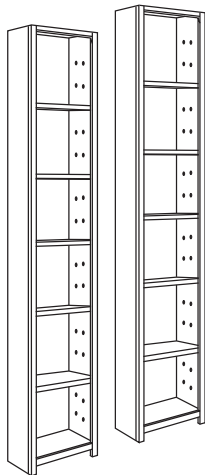
## PANTRY CABINET SWING-OUT SHELF KIT

- Designed to install inside of 36" wide x 24" deep x 96", 90" or 84" high utility cabinet shown on page 105
- Set of two swing-out shelves
- Three adjustable shelves and two fixed shelves for each swing-out unit
- **Field installation required**

PCSK36



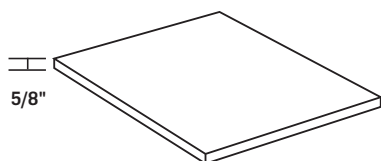
INSTALLED  
TOP VIEW



## PANTRY CABINET DOOR SHELVES

- Set of two
- Five adjustable shelves for each door shelf
- Designed to install on backside of 36" wide x 24" deep x 96", 90" or 84" high utility cabinet shown on page 105
- **Field installation required**
- **PCDS36 door shelves not available for use with Cheswick, Rossiter and Salerno door styles**

PCDS36



## UTILITY CABINET SHELVES

- 5/8" thick adjustable shelves for lower portion of utility cabinets
- Each shelf shipped with 4 shelf clips
- Laminate composite panel for Premier construction, or birch plywood for AllWood construction

### SHELVES FOR 15" WIDE CABINETS

UCS1512 (13-5/16" wide x 10-7/8" deep)  
 UCS1518 (13-5/16" wide x 16-7/8" deep)  
 UCS1521 (13-5/16" wide x 19-7/8" deep)  
 UCS1524 (13-5/16" wide x 22-7/8" deep)

### SHELVES FOR 18" WIDE CABINETS

UCS1812 (16-5/16" wide x 10-7/8" deep)  
 UCS1818 (16-5/16" wide x 16-7/8" deep)  
 UCS1821 (16-5/16" wide x 19-7/8" deep)  
 UCS1824 (16-5/16" wide x 22-7/8" deep)

### SHELVES FOR 24" WIDE CABINETS

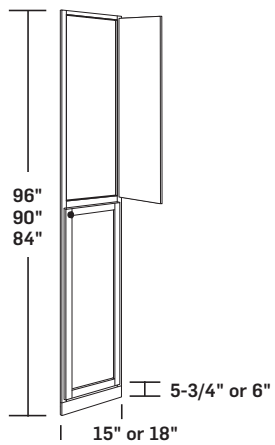
UCS2412 (22-5/16" wide x 10-7/8" deep)  
 UCS2418 (22-5/16" wide x 16-7/8" deep)  
 UCS2421 (22-5/16" wide x 19-7/8" deep)  
 UCS2424 (22-5/16" wide x 22-7/8" deep)

### SHELVES FOR 30" WIDE CABINETS

UCS3012 (28-5/16" wide x 10-7/8" deep)  
 UCS3018 (28-5/16" wide x 16-7/8" deep)  
 UCS3021 (28-5/16" wide x 19-7/8" deep)  
 UCS3024 (28-5/16" wide x 22-7/8" deep)

### SHELVES FOR 36" WIDE CABINETS

UCS3612 (34-5/16" wide x 10-7/8" deep)  
 UCS3618 (34-5/16" wide x 16-7/8" deep)  
 UCS3621 (34-5/16" wide x 19-7/8" deep)  
 UCS3624 (34-5/16" wide x 22-7/8" deep)



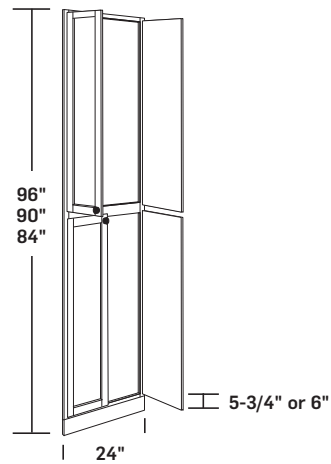
96\"/>

**96\", 90\", or 84\"/>**

- 3 hinges per door on lower section
- 3 hinges per door for upper section on 96\"/>

- UCF15x96 L or R (5-3/4\"/>

❖ CFO
AD
FI
AW
MPE



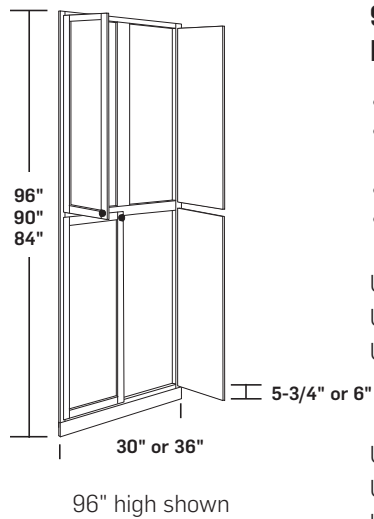
96\"/>

**96\"/>**

- 3 hinges per door on lower section
- 3 hinges per door for upper section on 96\"/>

- UCF24x96
- UCF24x90
- UCF24 (84\"/>

❖ CFO
AD
FI
AW
MPE



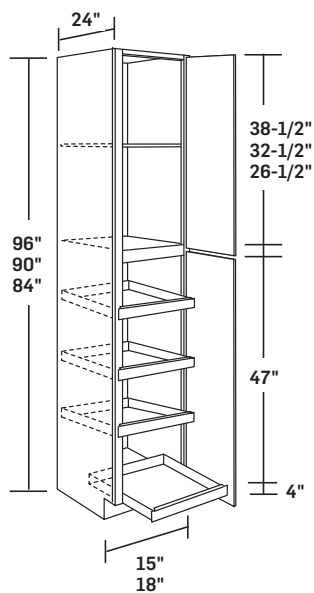
### 96", 90", or 84" HIGH x 30" or 36" WIDE BUTT DOOR UTILITY CABINET FRONTS

- 3 hinges per door on lower section
- 3 hinges per door for upper section on 96" tall cabinets,  
2 hinges per door for upper section on 90" and 84" tall cabinets
- Non-trimmable
- Butt doors top and bottom

UCF30x96 (5-3/4" toe kick)  
UCF30x90 L or R (6" toe kick)  
UCF30 L or R (6" toe kick, 84" high)

UCF36x96 (5-3/4" toe kick)  
UCF36x90 (6" toe kick)  
UCF36 (6" toe kick, 84" high)

❖ CFO
AD
FI
AW
MPE



90" high R shown

## 96", 90" or 84" HIGH x 24" DEEP SINGLE DOOR PANTRY CABINETS WITH SHELF TRAYS

- 5/8" thick adjustable shelf, upper section of 96" tall cabinet has two 5/8" thick adjustable shelves
- Lower portion of utility cabinet shipped with 4 pull out shelf trays
- Opening height is 46-7/8" in lower section
- 3 hinges per door on lower section
- 3 hinges per door for upper section on 96" tall cabinets
- 2 hinges per door for upper section on 90" and 84" tall cabinets
- Specify L or R door hinging
- Toe kick shipped loose on 96" high cabinets
- Single door top and bottom

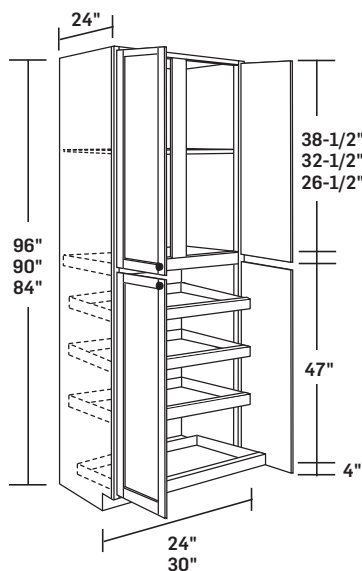
### 15" WIDE PANTRY CABINETS

PC1524x96 L or R  
 PC1524x90 L or R  
 PC1524 L or R (84" high)

### 18" WIDE PANTRY CABINETS

PC1824x96 L or R  
 PC1824x90 L or R  
 PC1824 L or R (84" high)

CFO
AD
FI
AW
MPE



90" high shown

## 96", 90" or 84" HIGH x 24" DEEP BUTT DOOR PANTRY CABINETS WITH SHELF TRAYS

- 5/8" thick adjustable shelf, upper section of 96" tall cabinet has two 5/8" thick adjustable shelves
- Lower portion of utility cabinet shipped with 4 pull out shelf trays
- Opening height is 46-7/8" in lower section
- 3 hinges per door on lower section
- 3 hinges per door for upper section on 96" tall cabinets
- 2 hinges per door for upper section on 90" and 84" tall cabinets
- Toe kick shipped loose on 96" high cabinets
- Butt door top and bottom

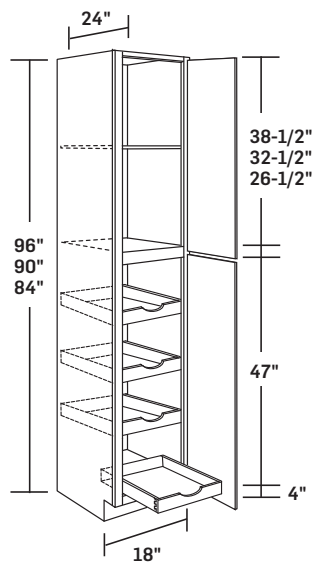
### 24" WIDE PANTRY CABINETS

PC2424x96  
 PC2424x90  
 PC2424 (84" high)

### 30" WIDE PANTRY CABINETS

PC3024x96  
 PC3024x90  
 PC3024 (84" high)

CFO
AD
FI
AW
MPE



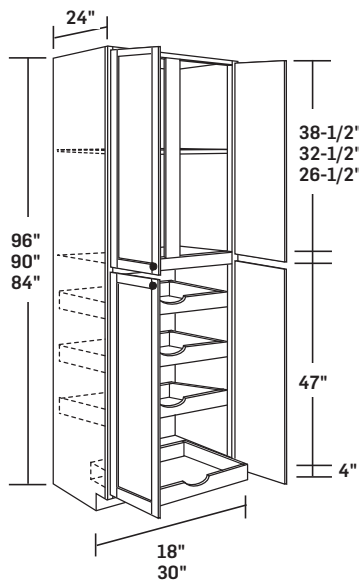
90" high R shown

### 96", 90" or 84" HIGH x 18" WIDE SINGLE DOOR PANTRY CABINETS WITH DELUXE SHELF TRAYS (24" DEEP)

- Full extension soft-close on shelf trays
- 5/8" thick adjustable shelf, upper section of 96" tall cabinet has two 5/8" thick adjustable shelves
- Opening height is 46-7/8" in lower section
- Lower portion of utility cabinet shipped with 4 deluxe pull out shelf trays
- Adjustable system allows for customized vertical tray spacing
- 3 hinges per door on lower section
- 3 hinges per door for upper section on 96" tall cabinets
- 2 hinges per door for upper section on 90" and 84" tall cabinets
- Specify L or R door hinging
- Toe kick shipped loose on 96" high cabinets
- Single door top and bottom

PC1824DSTx96 L or R  
PC1824DSTx90 L or R  
PC1824DST L or R (84" high)

CFO
AD
FI
AW
MPE



90" high R shown

### 96", 90" or 84" HIGH x 24" DEEP BUTT DOOR PANTRY CABINETS WITH DELUXE SHELF TRAYS

- Full extension soft-close on shelf trays
- 5/8" thick adjustable shelf, upper section of 96" tall cabinet has two 5/8" thick adjustable shelves
- Opening height is 46-7/8" in lower section
- Lower portion of utility cabinet shipped with 4 deluxe pull out shelf trays
- Adjustable system allows for customized vertical tray spacing
- 3 hinges per door on lower section
- 3 hinges per door for upper section on 96" tall cabinets
- 2 hinges per door for upper section on 90" and 84" tall cabinets
- Toe kick shipped loose on 96" high cabinets
- Butt door top and bottom

#### 24" WIDE PANTRY CABINETS

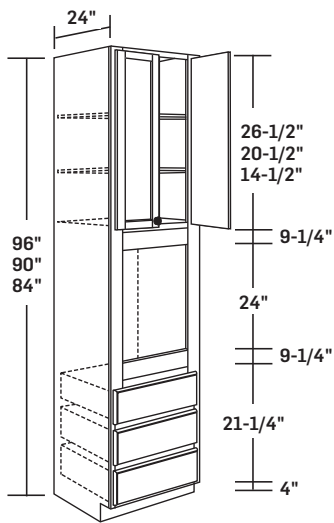
PC2424DSTx96  
PC2424DSTx90  
PC2424DST (84" high)

#### 30" WIDE PANTRY CABINETS

PC3024DSTx96  
PC3024DSTx90  
PC3024DST (84" high)

CFO
AD
FI
AW
MPE





OV27Dx96 shown

**96", 90" or 84" HIGH x 24" DEEP  
DOOR AND DRAWER OVEN CABINETS**

- OV\_D cabinets have three standard depth drawers on bottom
- OV\_S cabinets have a single standard depth drawer on bottom
- Trimmable drawers for larger ovens
- Upper portion of cabinet has two 5/8" thick adjustable shelves
- Toe Kick shipped loose on 96" high cabinets
- **NOTE: See oven cut-out dimensions on page 114**

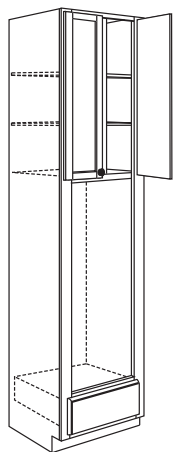
CFO
AD
FI
AW
MPE

**TRIPLE DRAWER  
OVEN CABINETS**

OV27Dx96  
OV30Dx96  
OV33Dx96

OV27Dx90  
OV30Dx90  
OV33Dx90

OV27D (84" high)  
OV30D (84" high)  
OV33D (84" high)



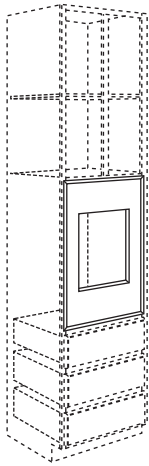
OV27Sx96 shown

**SINGLE DRAWER  
OVEN CABINETS**

OV27Sx96  
OV30Sx96  
OV33Sx96

OV27Sx90  
OV30Sx90  
OV33Sx90

OV27S (84" high)  
OV30S (84" high)  
OV33S (84" high)



## OVEN CABINET OVERLAY

- Overlay shipped loose for field installation on oven cabinets and must be ordered separately
- Sutton overlay panels are solid
- Edge profile matches drawers
- **Available in Ardmore (cherry), Carlisle, Edinburgh, Langdon (cherry), Lisburn, Rossiter, Southampton, Sutton and Trevino only**

OLAY27D

OLAY30D

OLAY33D

OLAY27S

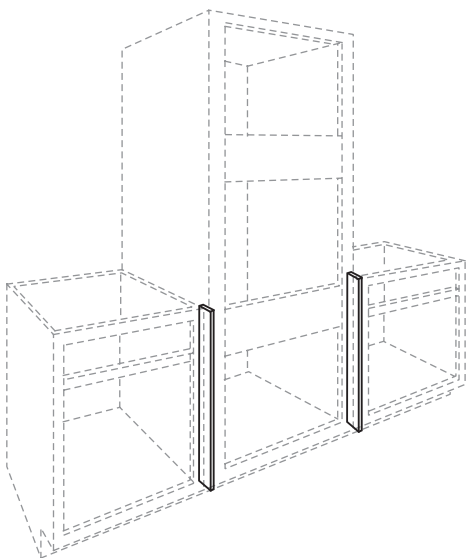
OLAY30S

OLAY33S

### OVEN CABINET OVERLAY MEASUREMENTS

OVEN CABINET	OVERLAY	FULL OVERLAY (1/4" REVEAL)			
		OUTSIDE DIMENSIONS		CENTER OPENINGS	
		WIDTH	HEIGHT	WIDTH	HEIGHT
OV27S	OLAY27S	26-1/2"	54"	20-1/2"	34"
OV30S	OLAY30S	29-1/2"	54"	23-1/2"	34"
OV33S	OLAY33S	32-1/2"	54"	26-1/2"	34"
OV27D	OLAY27D	26-1/2"	39"	20-1/2"	19"
OV30D	OLAY30D	29-1/2"	39"	23-1/2"	19"
OV33D	OLAY33D	32-1/2"	39"	26-1/2"	19"

THERMOFOIL OVERLAYS SHIPPED WITHOUT CENTER CUT-OUT

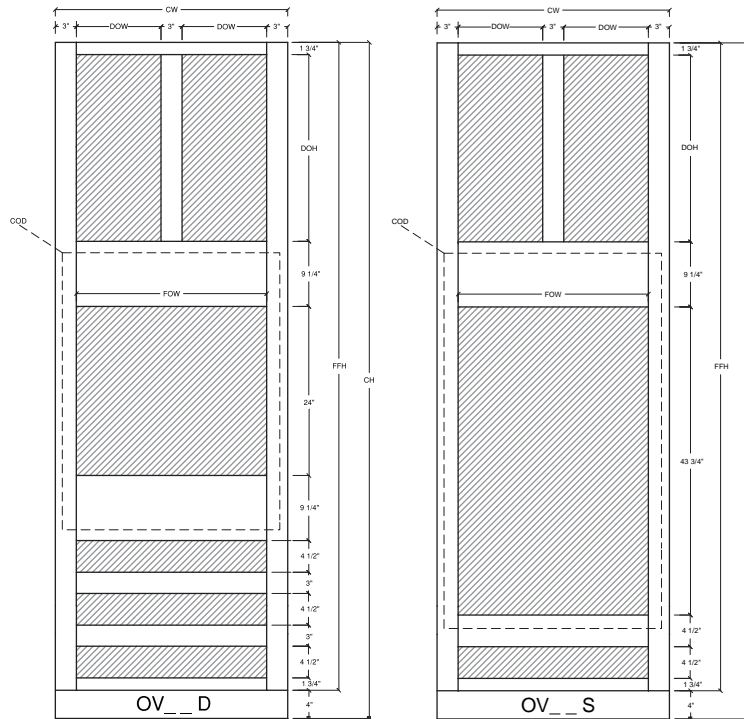


## HEAT SHIELD KIT

- Field installation accessory
- Recommended for use as a heat shield for all white thermofoil door styles
- Protects doors and drawer fronts from adjacent heat source (built in ovens, under counter ovens, drop-in or free-standing ranges)
- Kit contents: (2) white 1/16" thick x 1-9/16" x 30-1/2" metal heat shields
- Oven overlays must be used to prevent heat exposure to upper oven doors

HSK

## OVEN CUT-OUT INSTRUCTIONS



### OVEN CABINET LEGEND

ID	DESCRIPTION	ID	DESCRIPTION
<b>CW</b>	Cabinet Width	<b>DOW</b>	Door Opening Width
<b>CH</b>	Cabinet Height	<b>DOH</b>	Door Opening Height
<b>FFH</b>	Front Frame Height	<b>FOW</b>	Factory Opening Width
		<b>FOH</b>	Factory Opening Height
<b>COD-W</b>	Max. Cut-Out Dimension – Width	<b>COD-H*</b>	Max. Cut-Out Dimension – Height

### OVEN CABINET CUT-OUTS AND DIMENSIONS

PRODUCT ID	CW	CH	FFH	DOW	DOH	FOW	FOH	COD-W	COD-H
OV27D	27"	84"	80"	9"	14-1/2"	21"	24"	25"	37" *
OV27DX90	27"	90"	86"	9"	20-1/2"	21"	24"	25"	37" *
OV27DX96	27"	96"	92"	9"	26-1/2"	21"	24"	25"	37" *
OV27S	27"	84"	80"	9"	14-1/2"	21"	43-3/4"	25"	52"
OV27SX90	27"	90"	86"	9"	20-1/2"	21"	43-3/4"	25"	52"
OV27SX96	27"	96"	92"	9"	26-1/2"	21"	43-3/4"	25"	52"
OV30D	30"	84"	80"	10-1/2"	14-1/2"	24"	24"	28"	37" *
OV30DX90	30"	90"	86"	10-1/2"	20-1/2"	24"	24"	28"	37" *
OV30DX96	30"	96"	92"	10-1/2"	26-1/2"	24"	24"	28"	37" *
OV30S	30"	84"	80"	10-1/2"	14-1/2"	24"	43-3/4"	28"	52"
OV30SX90	30"	90"	86"	10-1/2"	20-1/2"	24"	43-3/4"	28"	52"
OV30SX96	30"	96"	92"	10-1/2"	26-1/2"	24"	43-3/4"	28"	52"
OV33D	33"	84"	80"	12"	14-1/2"	27"	24"	31"	37" *
OV33DX90	33"	90"	86"	12"	20-1/2"	27"	24"	31"	37" *
OV33DX96	33"	96"	92"	12"	26-1/2"	27"	24"	31"	37" *
OV33S	33"	84"	80"	12"	14-1/2"	27"	43-3/4"	31"	52"
OV33SX90	33"	90"	86"	12"	20-1/2"	27"	43-3/4"	31"	52"
OV33SX96	33"	96"	92"	12"	26-1/2"	27"	43-3/4"	31"	52"

\* Removing a drawer will gain 7-1/2" in height at the bottom of the oven cut-out

## TALL CABINET FRONT FRAME INSTRUCTIONS & DOOR CALCULATOR

### TALL CABINET FRONT FRAME LEGEND & OPENING FORMULAS

ID	DESCRIPTION	CABINET TYPE	OPENING FORMULA
<b>CW</b>	Cabinet Width	All	Width From Cabinet ID
<b>CH</b>	Cabinet Height	All	Height From Cabinet ID
<b>FFH</b>	Front Frame Height	All	CH minus Toe Kick
<b>DOW</b>	Door (Drawer) Opening Width	Single Door	$CW - 3" = DOW$
	Door (Drawer) Opening Width	Double Butt Door	$CW - 3" = DOW$ (For 2 Doors)
	Door (Drawer) Opening Width	Double Door w/Post	$(CW - 6") \div 2 = DOW$ (No Ovens)
	Oven Door (Drawer) Opening Width	Double Door w/Post	$(CW - 9") \div 2 = DOW$
<b>DOH</b>	Door Opening Height	Door and Drawer Base	See Drawers

### TALL CABINET DOOR DIMENSIONS CALCULATOR – WIDTH

DOOR TYPE	DESCRIPTION OF DOOR TYPE	CABINET TYPE	DOOR DIMENSION FORMULA
<b>FODW</b>	Full Overlay Door Width (1/4" Reveal)	1 and 2 Door Cabinets	$DOW + 2-1/2" = FODW$
		Butt Door Cabinets	$(DOW + 2-7/16") \div 2 = FODW$
		Oven Cabinets	$DOW + 4" = FODW$
<b>SODW</b>	Standard Overlay Door Width	1	$DOW + 1" = SODW$
		2 (Butt Doors)	$(DOW + 15/16") \div 2 = SODW$
		Oven Cabinets	$DOW + 2-1/2" = SODW$

DECIMAL EQUIVALENT CHART LOCATED ON PAGE 26

### TALL CABINET DOOR DIMENSIONS CALCULATOR – HEIGHT

DOOR TYPE	DESCRIPTION OF DOOR TYPE	CABINET TYPE	DOOR DIMENSION FORMULA
<b>FODH</b>	Full Overlay Door Height (1/4" Reveal)	Standard Tall Uppers	$DOH + 2-1/4" = FODH$
		Full Height Door	$DOH + 2-1/2" = FODH$
<b>SODH</b>	Standard Overlay Door Height	Standard Drawer & Door	$DOH + 7/8" = SODH$
		Full Height Door	$DOH + 1" = SODH$

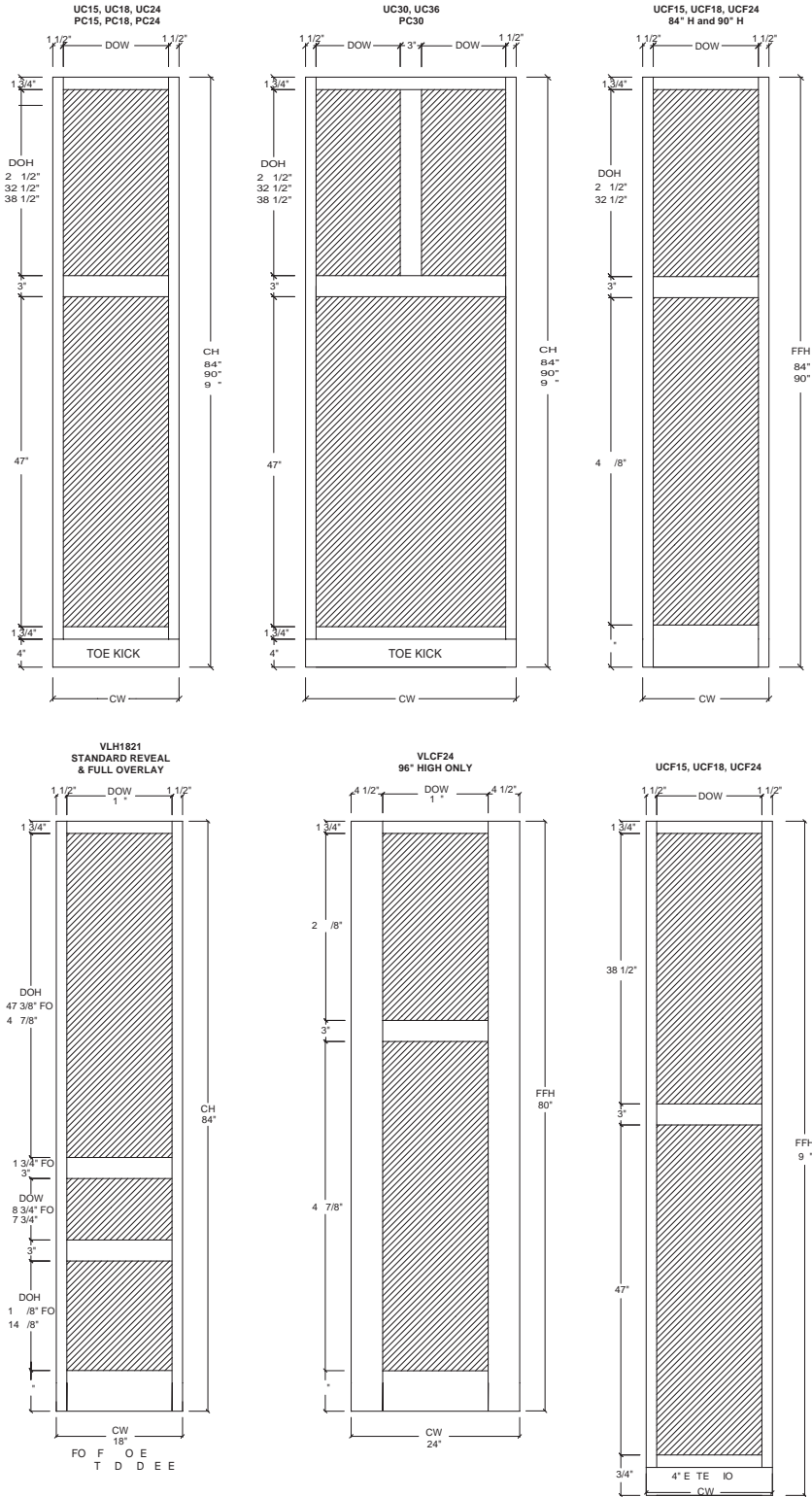
### DOOR SIZE EXCEPTIONS

CABINET TYPE	DESCRIPTION OF CABINET	FOD	SOD
<b>UC</b>	Utility Cabinets	49-1/2" H	47-7/8" H
<b>PC</b>	Pantry Cabinets		

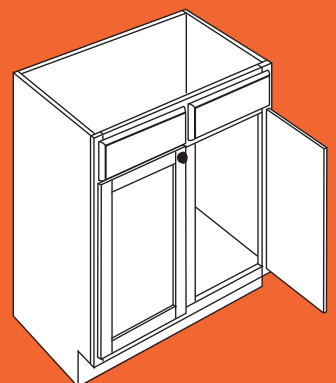
### DOOR STYLE DESCRIPTION & IDENTIFICATION

ID	DESCRIPTION	IDENTIFICATION
<b>FOD</b>	Full Overlay Door (1/4" Reveal)	Addison, Ardmore, Bedford, Belleview, Carlisle, Freeman, Langdon, Lisburn, Marianna, Rossiter, Southampton, Sutton, Edinburgh, Trevino, and Weston
<b>SOD</b>	Standard Overlay Door	Brisbin, Benton, Cheswick, Hargrove, Herndon, Norwich, Salerno, and Touraine

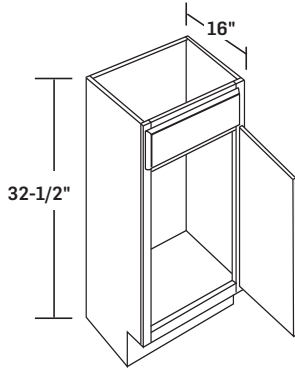
### TALL CABINET FRONT FRAMES



# VANITY CABINETS



VANITY CABINETS

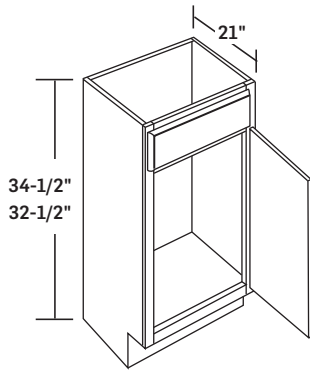


**16" DEEP SINGLE DOOR VANITY SINK CABINET**

- Two hinges per door
- Specify L or R door hinging

AD
FI
AW
MPE

VSS18 L or R



**21" DEEP SINGLE DOOR VANITY SINK CABINETS**

- Two hinges per door
- Specify L or R door hinging

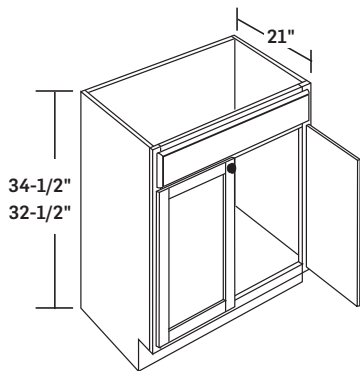
AD
FI
AW
MPE

**32-1/2" HIGH CABINETS**

V21 L or R

**34-1/2" HIGH CABINETS**

V21H L or R



**21" DEEP BUTT DOOR AND WIDE DRAWER VANITY SINK CABINETS**

- Two hinges per door

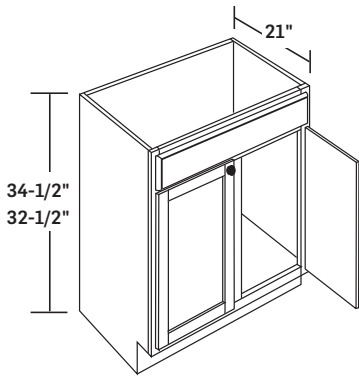
AD
FI
AW
MPE

**32-1/2" HIGH CABINETS**

V24BD

**34-1/2" HIGH CABINETS**

V24BDH  
 V27BDH  
 V30BDH  
 V33BDH



**21" DEEP DOUBLE DOOR VANITY SINK CABINETS**

- Two hinges per door
- One false drawer front

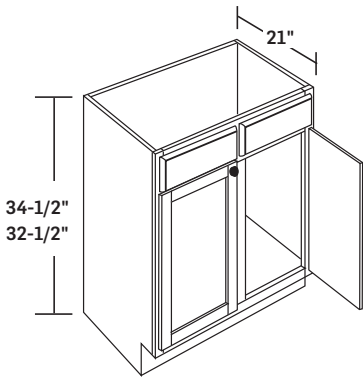
**32-1/2" HIGH CABINETS**

V24  
V27  
V30  
V33  
V36

**34-1/2" HIGH CABINETS**

V24H  
V27H  
V30H  
V33H  
V36H

■ AD
FI
■ AW
■ MPE



**21" DEEP DOUBLE DOOR VANITY SINK CABINETS**

- Two hinges per door
- Two false drawer fronts

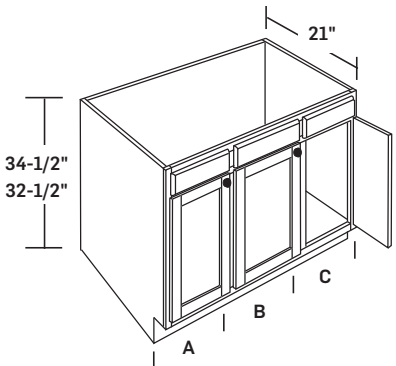
**32-1/2" HIGH CABINETS**

V39  
V42  
V45

**34-1/2" HIGH CABINETS**

V39H  
V42H  
V45H

■ AD
FI
■ AW
■ MPE



**21" DEEP THREE DOOR VANITY SINK CABINETS**

- Two hinges per door
- Three false drawer fronts

	A	B	C
V48 / V48H	15"	18"	15"
V54 / V54H	18"	18"	18"

**32-1/2" HIGH CABINETS**

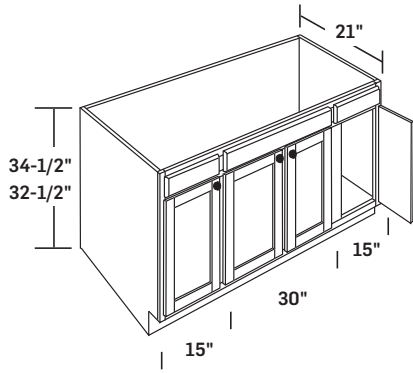
V48  
V54

**34-1/2" HIGH CABINETS**

V48H  
V54H

■ AD
FI
■ AW
■ MPE





**21" DEEP FOUR DOOR VANITY SINK CABINETS**

- Two hinges per door
- Three false drawer fronts

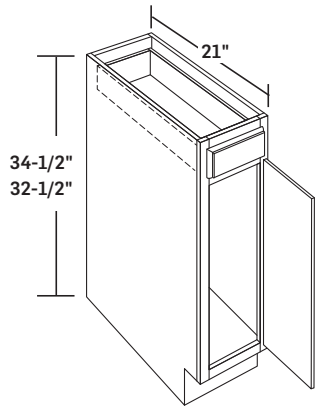
■	AD
	FI
■	AW
■	MPE

**32-1/2" HIGH CABINETS**

V60

**34-1/2" HIGH CABINETS**

V60H



**21" DEEP SINGLE DOOR VANITY BASE CABINETS**

- Two hinges per door
- Specify L or R door hinging
- **Carlisle has two butt doors on VB24 and VB24H**

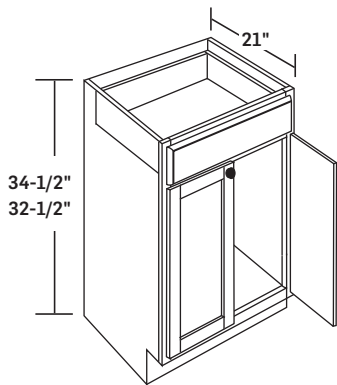
■ AD
FI
■ AW
■ MPE

**32-1/2" HIGH CABINETS**

- VB12 L or R
- VB15 L or R
- VB18 L or R
- VB21 L or R
- VB24 L or R

**34-1/2" HIGH CABINETS**

- VB12H L or R
- VB15H L or R
- VB18H L or R
- VB21H L or R
- VB24H L or R



**21" DEEP BUTT DOOR AND WIDE DRAWER VANITY BASE CABINET**

- Two hinges per door
- One standard depth drawer

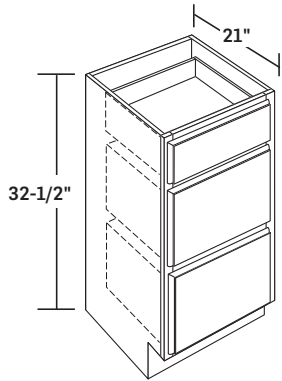
■ AD
FI
■ AW
■ MPE

**32-1/2" HIGH CABINETS**

- VB24BD

**34-1/2" HIGH CABINETS**

- VB24BDH



3 drawer cabinet shown

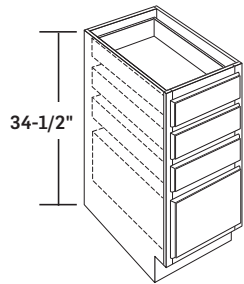
**21" DEEP VANITY DRAWER BASE CABINETS**

- 32-1/2" high cabinets have one standard depth drawer on top and two deep drawers on bottom
- 34-1/2" high cabinets have three standard depth drawers on top and one deep drawer on bottom

■	AD
	FI
■	AW
■	MPE

**32-1/2" HIGH THREE DRAWER CABINETS**

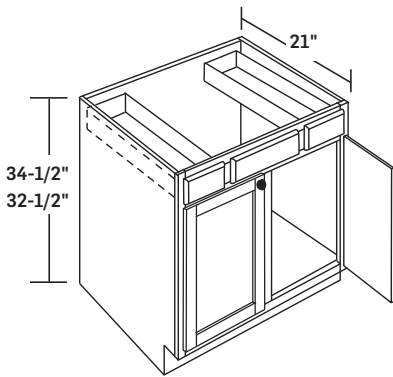
- VDB12
- VDB15
- VDB18
- VDB21
- VDB24



4 drawer cabinet shown

**34-1/2" HIGH FOUR DRAWER CABINETS**

- VDB12H
- VDB15H
- VDB18H
- VDB21H
- VDB24H



**21" DEEP DOUBLE DOOR VANITY DRAWER SINK BASE CABINETS**

- Two hinges per door
- **NOTE: On VB36 and VB36H cabinets, the two drawers on top will always be narrow profile, slab drawer fronts, regardless of style ordered**
- Not available in glaze finish

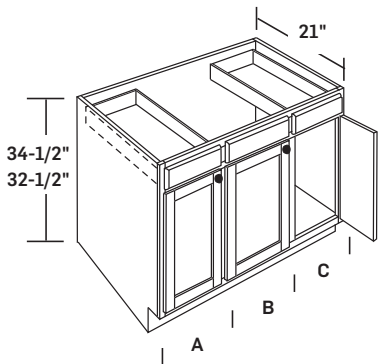
■ AD
FI
■ AW
■ MPE

**32-1/2" HIGH CABINETS**

VB36  
VB42

**34-1/2" HIGH CABINETS**

VB36H  
VB42H



**21" DEEP THREE DOOR VANITY DRAWER SINK BASE CABINETS**

- Two hinges per door

■ AD
FI
■ AW
■ MPE

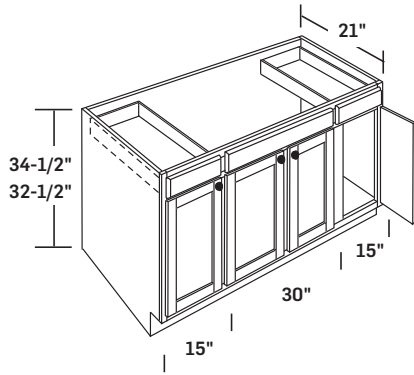
	A	B	C
VB48 / VB48H	15"	18"	15"
VB54 / VB54H	18"	18"	18"

**32-1/2" HIGH CABINETS**

VB48  
VB54

**34-1/2" HIGH CABINETS**

VB48H  
VB54H



**21" DEEP FOUR DOOR VANITY DRAWER SINK BASE CABINETS**

- Two hinges per door

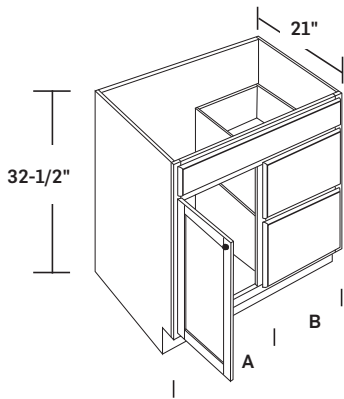
**32-1/2" HIGH CABINETS**

VB60

**34-1/2" HIGH CABINETS**

VB60H

AD
FI
AW
MPE



VD36 R shown

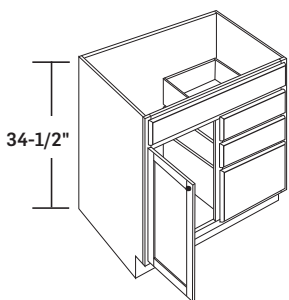
**21" DEEP SINGLE DOOR VANITY DRAWER SINK BASE CABINETS**

- Two hinges per door
- Specify L or R door hinging and working drawers on bottom

\* **NOTE: VD42 and VD42H have two false drawer fronts instead of one single false drawer front as shown.**

	A	B
VD30 / VD30H	15"	15"
VD36 / VD36H	18"	18"
* VD42 / VD42H	21"	21"

AD
FI
AW
MPE



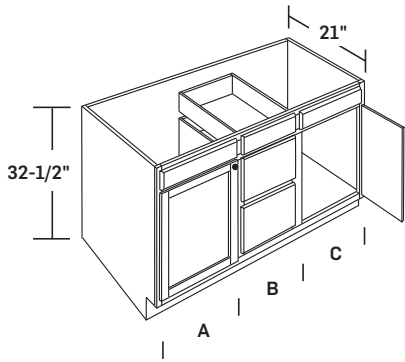
VD36H R shown

**32-1/2" HIGH TWO DRAWER CABINETS**

- VD30 L or R
- VD36 L or R
- \* VD42 L or R

**34-1/2" HIGH THREE DRAWER CABINETS**

- VD30H L or R
- VD36H L or R
- \* VD42H L or R

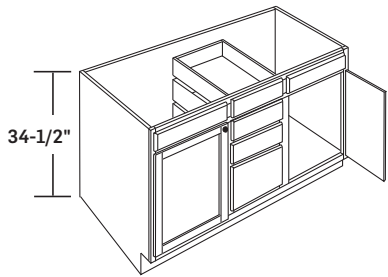
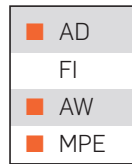


VDB60 shown

**21" DEEP BUTT DOOR VANITY DRAWER DOUBLE SINK BASE CABINETS**

- Two hinges per door
- Carlisle has two butt doors on VDB60 and VDB60H

	A	B	C
VDB54 / VDB54H	21"	12"	21"
VDB60 / VDB60H	24"	12"	24"



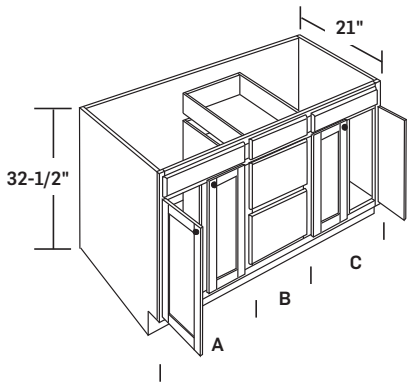
VDB60H shown

**32-1/2" HIGH THREE DRAWER CABINETS**

VDB54  
VDB60

**34-1/2" HIGH FOUR DRAWER CABINETS**

VDB54H  
VDB60H

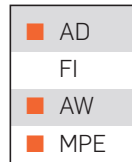


VDB72 shown

**21" DEEP FOUR DOOR VANITY DRAWER DOUBLE SINK BASE CABINETS**

- Two hinges per door
- Front has center stiles in A and C cabinet sections

	A	B	C
VDB66 / VDB66H	27"	12"	27"
VDB72 / VDB72H	30"	12"	30"

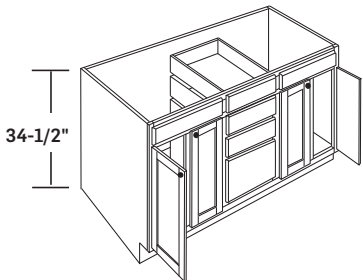


**32-1/2" HIGH THREE DRAWER CABINETS**

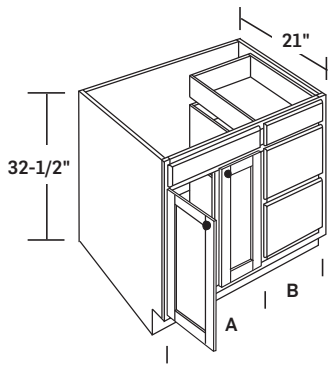
VDB66  
VDB72

**34-1/2" HIGH FOUR DRAWER CABINETS**

VDB66H  
VDB72H



VDB72H shown



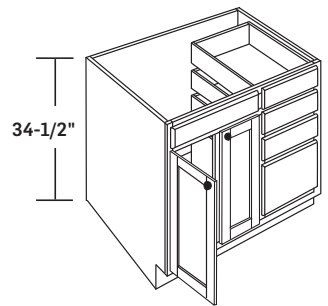
VDB36 shown

**21" DEEP DOUBLE DOOR VANITY DRAWER SINK BASE CABINETS**

- Two hinges per door
- Specify L or R for working drawers
- **VDB54 and VDB54H have two false drawer fronts**

AD
FI
AW
MPE

	A	B
VDB36 / VDB36H	24"	12"
VDB42 / VDB42H	30"	12"
VDB48 / VDB48H	36"	12"
VDB54 / VDB54H	42"	12"



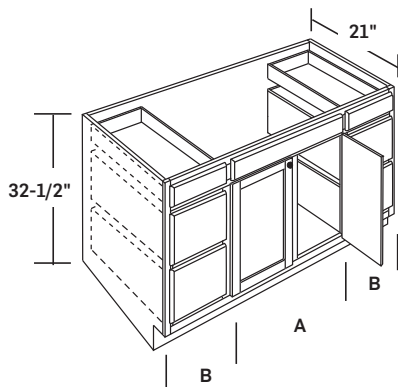
VDB36H shown

**32-1/2" HIGH THREE DRAWER CABINETS**

- VDB36 L or R
- VDB42 L or R
- VDB48 L or R
- VDB54 L or R

**34-1/2" HIGH FOUR DRAWER CABINETS**

- VDB36H L or R
- VDB42H L or R
- VDB48H L or R
- VDB54H L or R



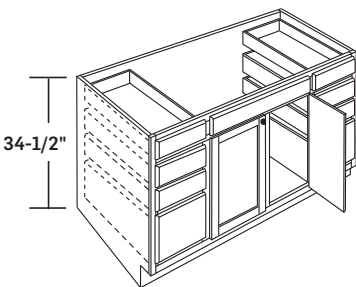
VCDB60 shown

**21" DEEP DOUBLE DOOR COMBO VANITY SINK BASE CABINETS**

- Two hinges per door
- 48" and 54" cabinets have 2 sets of 12" drawer stacks
- 60" cabinet has 2 sets of 15" drawer stacks

AD
FI
AW
MPE

	A	B
VCDB48 / VCDB48H	24"	12"
VCDB54 / VCDB54H	30"	12"
VCDB60 / VCDB60H	24"	15"



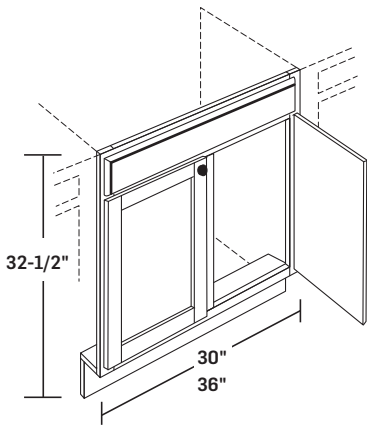
VCDB60H shown

**32-1/2" HIGH SIX DRAWER CABINETS**

- VCDB48
- VCDB54
- VCDB60

**34-1/2" HIGH EIGHT DRAWER CABINETS**

- VCDB48H
- VCDB54H
- VCDB60H

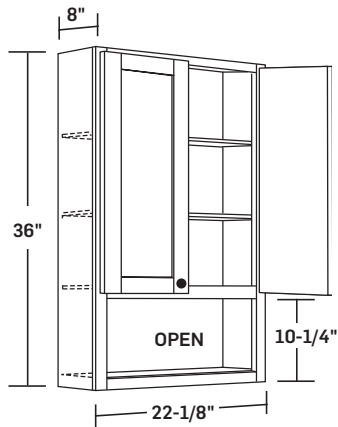


**VANITY SINK FRONTS**

- Two hinges per door
- Non-trimmable
- Sink fronts made to be trimmable 3" per side available upon request. Add suffix "T" – example VF30T or VF36T

VSF30 (or VSF30T)

VSF36 (or VSF36T)

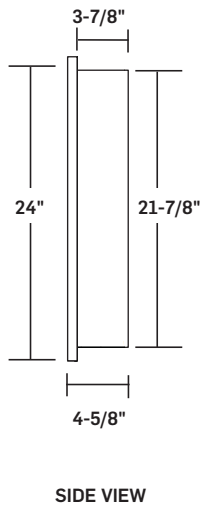
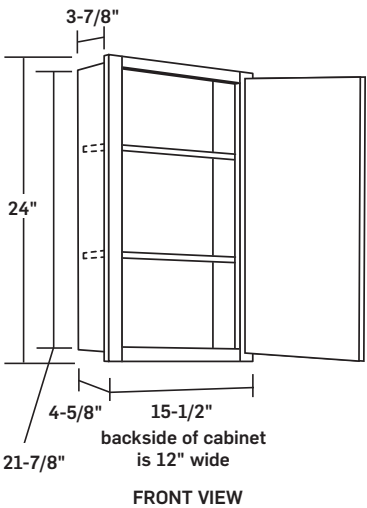


**VANITY WALL CABINET**

- Two hinges per door
- Two adjustable shelves in upper section
- Two butt doors
- Vanity wall cabinet does not come with finished interior in Premier construction
- AllWood construction only, comes with oak, maple, or cherry plywood finished interior.

VW2236

AD
❖ FI
❖ AW
MPE



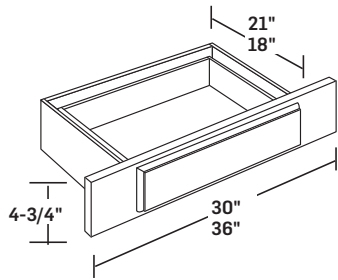
**MEDICINE CABINET**

- Recessed
- Specify L or R door hinging
- Shipped with 2 – 5/8" thick adjustable shelves
- Cut out size: 13-7/8" wide x 22-1/4" high
- Cabinet size: 13-1/2" wide x 21-7/8" high x 3-7/8" deep

MCR1624 L or R

AD
■ GDW
■ FI
■ AW
■ MPE



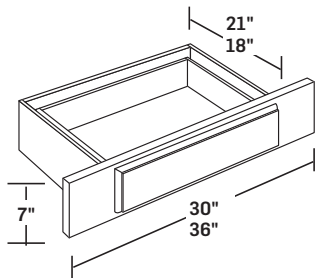


**SINGLE VANITY CABINET DRAWERS**

- One thin vanity drawer that is slab profile
- Trimmable 3" each side
- This product comes with a slab drawer front
- Not available in glaze finish

AD
FI
AW
MPE

VDD30T (21" deep)  
VDD36T (21" deep)

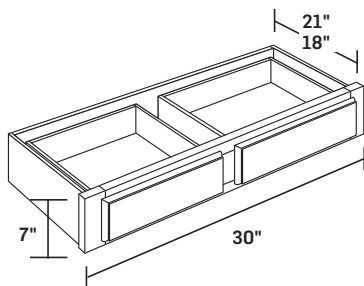


**VANITY KNEE HOLE DRAWERS**

- Trimmable 3" each side

AD
FI
AW
MPE

VKD30T (21" deep)  
VKD36T (21" deep)

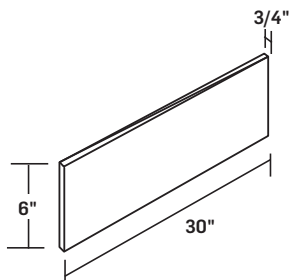


**MAKE UP DRAWER**

- Non-trimmable

AD
FI
AW
MPE

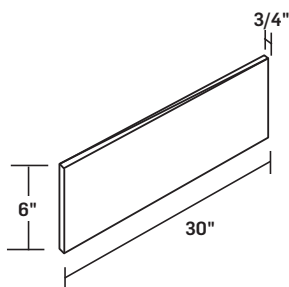
VMD30 (21" deep)



**VANITY BASE PANEL**

- 3/4" thick veneer plywood panel

VBP30



**VANITY BASE SOLID WOOD PANEL**

- 3/4" thick solid birch or oak panel

VBP30S

**VANITY LINEN CABINET OFFERINGS**

Check out our Tall Cabinet section pages 103-105 for our Utility Cabinet options. You can create many different vanity linen utility cabinets that will be perfect for your bathroom retreat.

## VANITY CABINET FRONT FRAME INSTRUCTIONS & DOOR CALCULATOR

### VANITY CABINET FRONT FRAME LEGEND & OPENING FORMULAS

ID	DESCRIPTION	CABINET TYPE	OPENING FORMULA
CW	Cabinet Width	All	Width From Cabinet ID
CH	Cabinet Height	All	Height From Cabinet ID
FFH	Front Frame Height	All	CH minus Toe Kick
DOW	Door (Drawer) Opening Width	Single Door	$CW - 3" = DOW$
	Door (Drawer) Opening Width	Double Butt Door	$CW - 3" = DOW$ (For 2 Doors)
	Door (Drawer) Opening Width	Double Door w/Post	$(CW - 6") \div 2 = DOW$
	Door (Drawer) Opening Width	Single Door Blind	$CW - 15" = DOW$
	Door (Drawer) Opening Width	Double Door Blind	$(CW - 18") \div 2 = DOW$
DOH	Door Opening Height	Door and Drawer Base	$CH - 9-1/4" = DOH$
	Door Opening Height	Full Height Door Base	$CH - 7-1/2" = DOH$
	Door Opening Height	Blind Corner Bases	$CH - 9-1/4" = DOH$

### VANITY DOOR DIMENSIONS CALCULATOR – WIDTH

DOOR TYPE	DESCRIPTION OF DOOR TYPE	CABINET TYPE	DOOR DIMENSION FORMULA
FODW	Full Overlay Door Width (1/4" Reveal)	1 and 2 Door Bases	$DOW + 2-1/2" = FODW$
		Butt Door Bases	$(DOW + 2-7/16") \div 2 = FODW$
SODW	Standard Overlay Door Width	1 and 2 Door Bases	$DOW + 1" = SODW$
		Butt Door Bases	$(DOW + 15/16") \div 2 = SODW$

### DOOR SIZE EXCEPTIONS

CABINET TYPE	DESCRIPTION OF CABINET	FOD	SOD
MCR1624	Medicine Cabinet	14-1/2" x 23"	13" x 21-5/8"
VW2236	Vanity Wall Cabinet	10-23/32" x 23"	10" x 21-5/8"

### DRAWER HEAD DIMENSIONS CALCULATOR – WIDTH

DOOR TYPE	DESCRIPTION OF DOOR TYPE	CABINET TYPE	DOOR DIMENSION FORMULA
FODW	Full Overlay Door Width (1/4" Reveal)	All Vanity Cabinets	$DOW + 2-1/2" = FODW$
SODW	Standard Overlay Door Width	All Vanity Cabinets	$DOW + 1" = SODW$

DECIMAL EQUIVALENT CHART LOCATED ON PAGE 26

### DRAWER HEAD DIMENSIONS CALCULATOR – HEIGHT

DOOR TYPE	DESCRIPTION OF DOOR TYPE	CABINET TYPE	DOOR DIMENSION FORMULA
FODH	Full Overlay Door Height (1/4" Reveal)	Top Drawers	$DOH + 1-3/4" = FODH$
		Bottom Drawers	
SODH	Standard Overlay Door Height	All Drawers	$DOH + 1/2" = SODH$

### DRAWER HEAD SIZE EXCEPTIONS

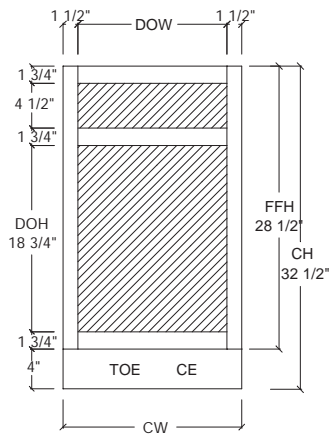
CABINET TYPE	DESCRIPTION OF CABINET	FOD	SOD
VDD30T	Single Vanity Cabinet Drawer	4-1/4" x 23-1/2"	3-1/2" x 22"
VKD30T	Vanity Knee Hole Drawer	6" x 23-1/2"	5" x 22"

### DOOR STYLE DESCRIPTIONS & IDENTIFICATION

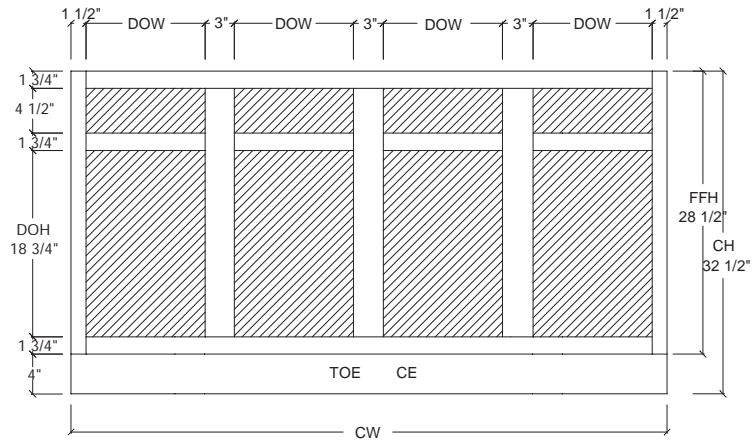
ID	DESCRIPTION	IDENTIFICATION
FOD	Full Overlay Door (1/4" Reveal)	Addison, Ardmore, Bedford, Belleview, Carlisle, Edinburgh, Freeman, Langdon, Lisburn, Marianna, Rossiter, Southampton, Sutton, Trevino, and Weston
SOD	Standard Overlay Door	Brisbin, Benton, Cheswick, Hargrove, Herndon, Norwich, Salerno, and Touraine

### VANITY CABINET FRONT FRAMES

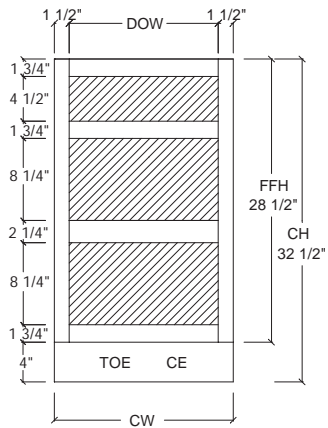
**B SINGLE DOOR  
SINGLE DOOR  
SS**



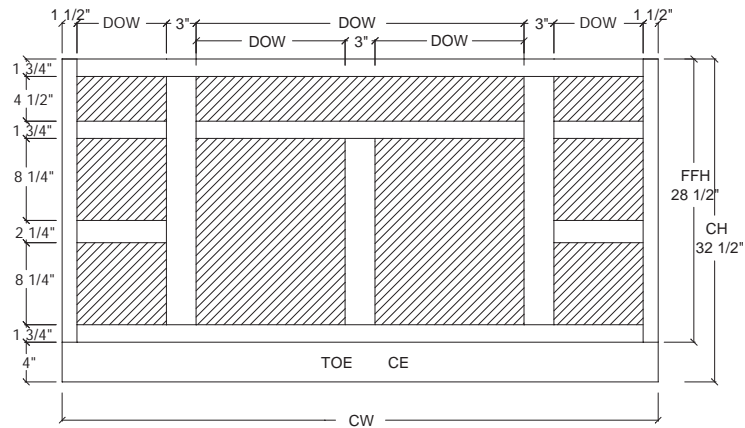
**B B B**



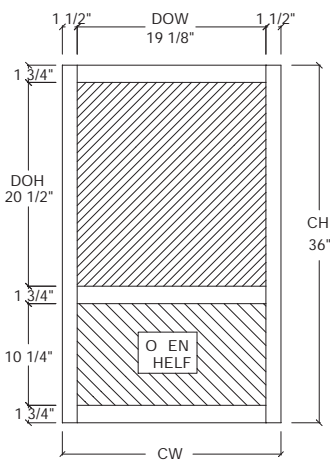
**DB 3 DRAWER  
ANIT**



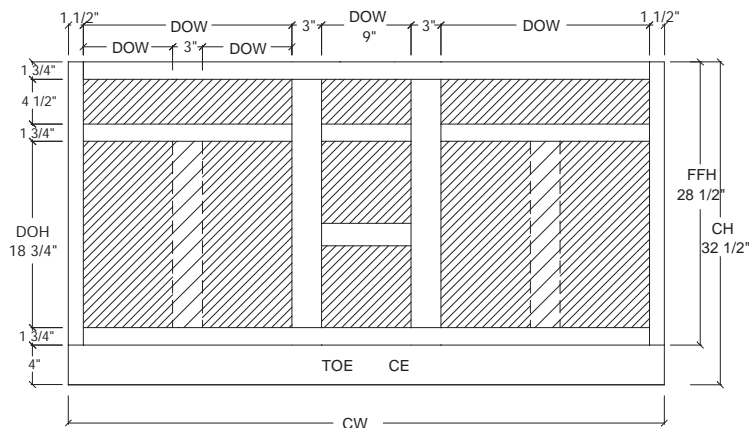
**DB4 DB 4 DB**



**W 3  
WALL ABINET**

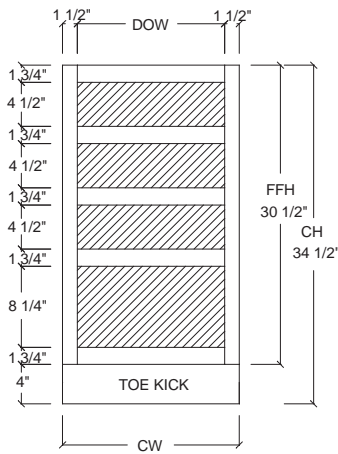


**DB 4 DB DB DB**

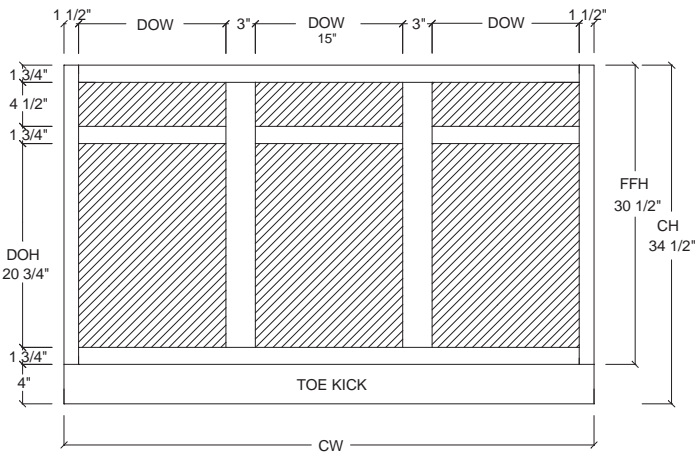


VANITY CABINET FRONT FRAMES

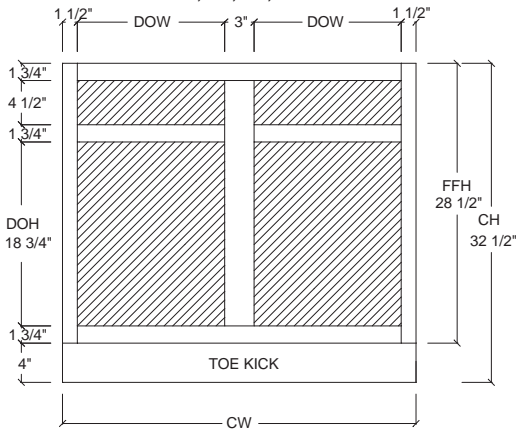
V48H, V54H, VB48H, VB54H  
"H" VERSION DRAWN



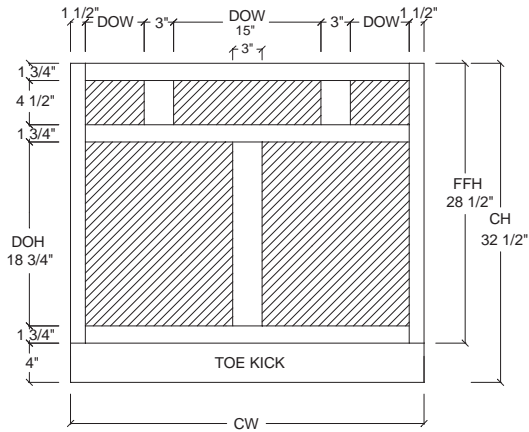
V48H, V54H, VB48H, VB54H  
"H" VERSION DRAWN



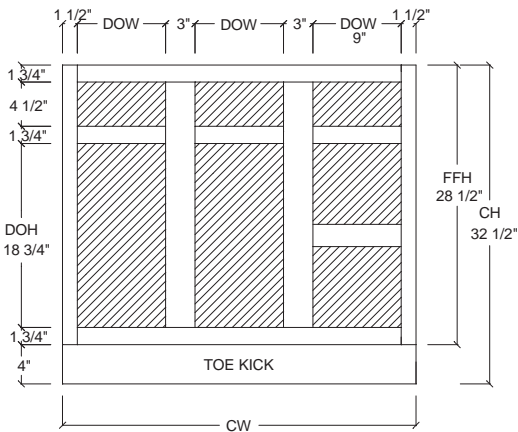
V24, V27, V30, V33  
V36, V39, V42, V45



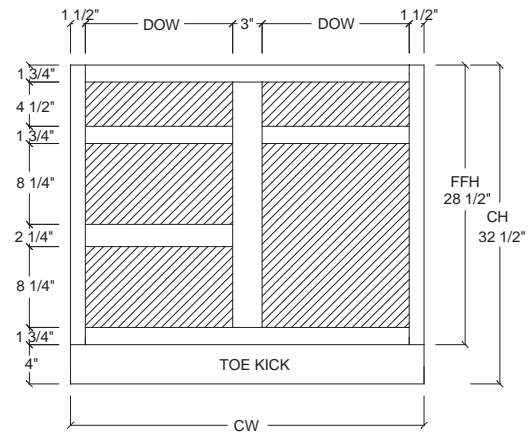
VB36, VB42



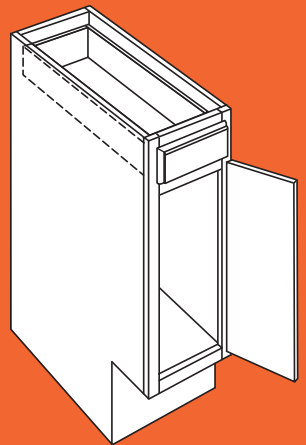
VDB36R, VDB42R, VDB48R, VDB54R  
ALSO AVAILABLE IN LEFT DRAWERS

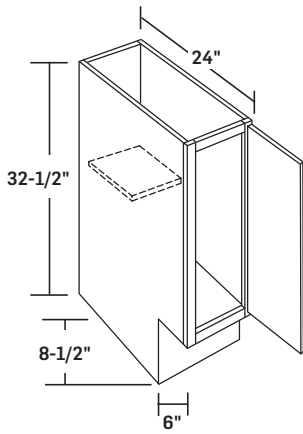


VD30L, VD36L, VD42L  
ALSO AVAILABLE IN RIGHT DRAWERS



# UNIVERSAL ACCESS CABINETS



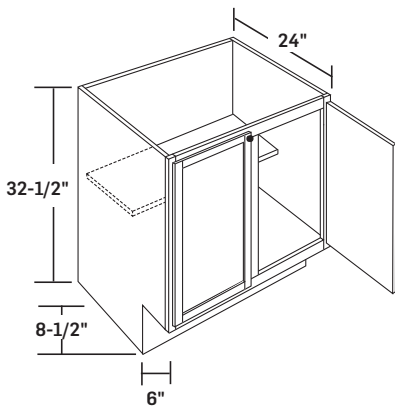


**UNIVERSAL ACCESS FULL HEIGHT SINGLE DOOR BASE CABINETS**

- Two hinges per door
- Full height door
- Specify L or R door hinging
- One 5/8" thick adjustable half depth shelf
- **Carlisle has two butt doors on HCB24F**

HCB12FH L or R  
 HCB15FH L or R  
 HCB18FH L or R  
 HCB21FH L or R  
 HCB24FH L or R

CFD
AD
FDS
FI
AW
MPE

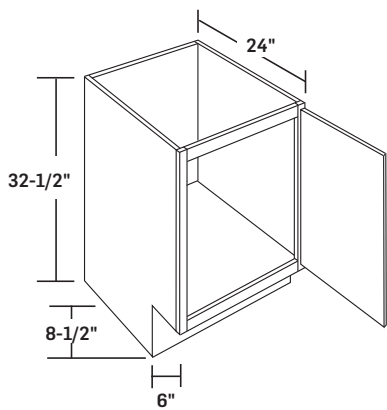


**UNIVERSAL ACCESS FULL HEIGHT DOUBLE DOOR BASE CABINETS**

- Two hinges per door
- Full height door
- One 5/8" thick adjustable half depth shelf
- **Carlisle has four butt doors on HCB48F**

HCB27FH  
 HCB30FH  
 HCB33FH  
 HCB36FH  
 HCB39FH  
 HCB42FH  
 HCB45FH  
 HCB48FH

CFD
AD
FDS
FI
AW
MPE

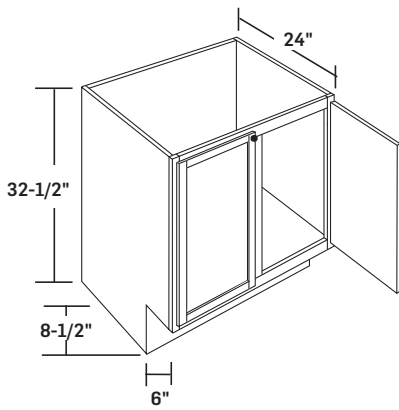


**UNIVERSAL ACCESS FULL HEIGHT SINGLE DOOR SINK BASE CABINET**

- Two hinges per door
- Full height door
- Specify L or R door hinging
- **Carlisle has two butt doors**

HCSB24FH L or R

CFD
AD
FDS
FI
AW
MPE

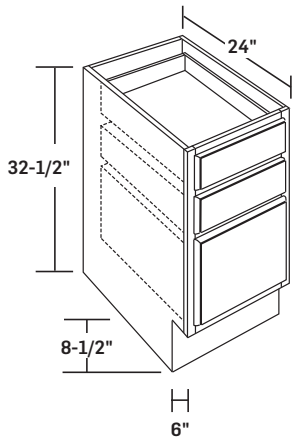


## UNIVERSAL ACCESS FULL HEIGHT DOUBLE DOOR SINK BASE CABINETS

- Two hinges per door
- Full height door
- **Carlisle has four butt doors on HCSB48FH**

HCSB27FH  
HCSB30FH  
HCSB33FH  
HCSB36FH  
HCSB39FH  
HCSB42FH  
HCSB45FH  
HCSB48FH

■ CFO
■ AD
FDS
FI
■ AW
■ MPE

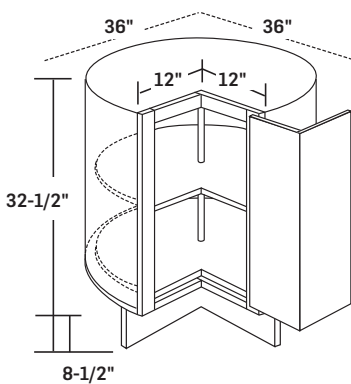


## UNIVERSAL ACCESS TRIPLE DRAWER BASE CABINETS

- Two standard depth drawers on top
- One deep drawer on bottom
- Does not accommodate metal drawer files

HCDB12  
HCDB15  
HCDB18  
HCDB21  
HCDB24

■ CFO
■ AD
FDS
FI
■ AW
■ MPE

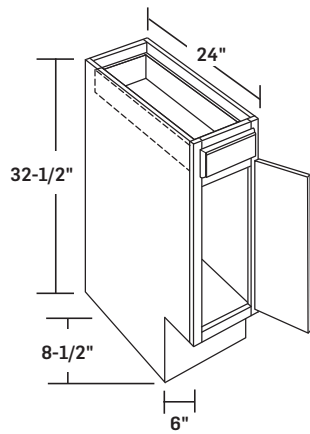


## UNIVERSAL ACCESS ROTATING CORNER BASE CABINET

- Two hinges per door
- Specify L or R door hinging
- Requires 36" of wall space on both sides
- Shelf diameter is 24"
- Overall diameter is 26"
- This unit is not designed to be used at the end of a cabinet run or up against appliances. Allow for DWR1 (additional 1") of space when using this application.
- Gentle-Touch (soft-close) hinge not available

HCCAR36 L or R

CFO
AD
FDS
FI
■ AW
MPE

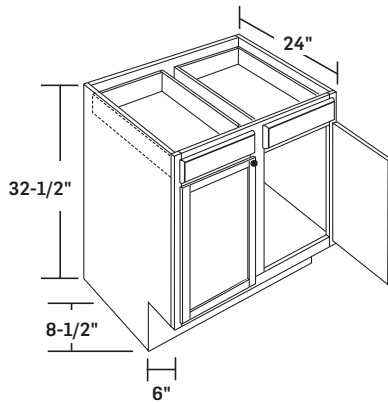


**UNIVERSAL ACCESS SINGLE DOOR AND DRAWER BASE CABINETS**

- Two hinges per door
- Specify L or R door hinging
- One standard depth drawer
- **Standard Reveal door styles only**

HCB12 L or R  
 HCB15 L or R  
 HCB18 L or R  
 HCB21 L or R

■ CFO
■ AD
■ FDS
■ FI
■ AW
■ MPE

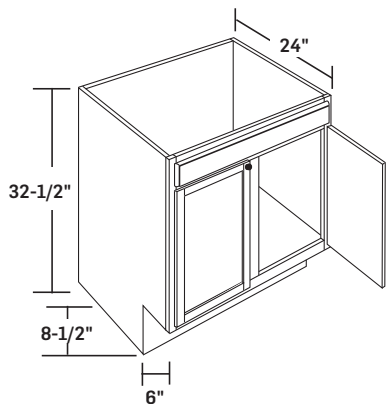


**UNIVERSAL ACCESS DOUBLE DOOR AND DRAWER BASE CABINETS**

- Two hinges per door
- Two standard depth drawers
- **Standard Reveal door styles only**

HCB30  
 HCB33  
 HCB36  
 HCB42

■ CFO
■ AD
■ FDS
■ FI
■ AW
■ MPE



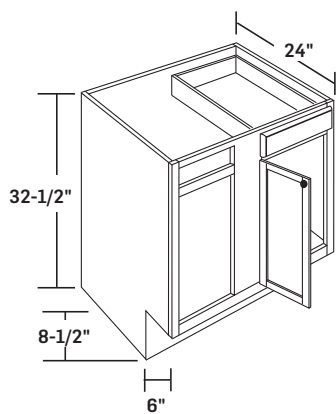
**UNIVERSAL ACCESS DOUBLE DOOR SINK BASE CABINETS**

- Two hinges per door
- **Standard Reveal door styles only**

HCSB30  
 HCSB33  
 HCSB36

■ CFO
■ AD
■ FDS
■ FI
■ AW
■ MPE



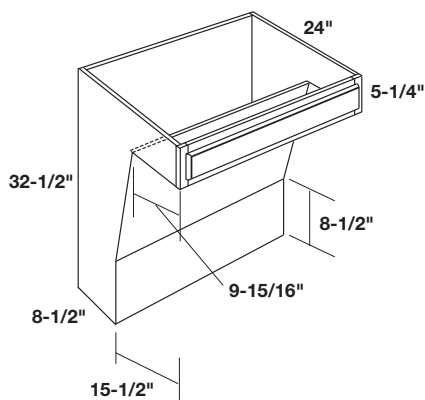


### UNIVERSAL ACCESS SINGLE DOOR AND DRAWER BLIND BASE CABINETS

- Two hinges per door
- Specify L or R door hinging
- See page 99 for blind cabinet installation instructions
- Filler must be ordered separately. Allow 27" to turn corner.
- **Standard Reveal door styles only**

HCBLB36/39 L or R  
 HCBLB39/42 L or R  
 HCBLB42/45 L or R  
 HCBLB45/48 L or R

CFD
AD
FDS
FI
AW
MPE



### UNIVERSAL ACCESS SINK BASE PLUMBING SKIRTS

- Plywood construction only
- Altered depth available in 21" only
- **This product comes with a slab drawer front regardless of style ordered.**

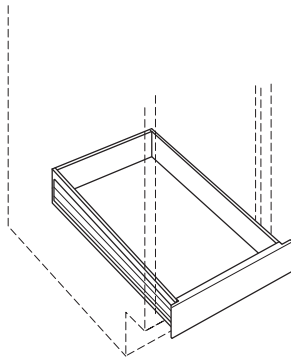
HCSB30PS  
 HCSB36PS

CFD
AD
FDS
FI
AW
MPE

**PULL OUT SHELF TRAYS**

- Full depth shelf tray
- Must order two shelf trays for 30", 36", 42" or 48" wide cabinets. (ie: 2-ST18 for 36" wide cabinet)
- Shelf tray shipped with drawer guides for 18", 21", or 24" deep cabinets
- Not available in dovetail construction
- Maximum recommended load: 75 lbs

CFO
■ AD
FDS
FI
■ AW
■ MPE



**18" DEEP PULL OUT SHELF TRAYS**

- ST12x18 (Fits 12" wide cabinets)
- ST15x18 (Fits 15" or 30" wide cabinets)
- ST18x18 (Fits 18" or 36" wide cabinets)
- ST21x18 (Fits 21" or 42" wide cabinets)
- ST24x18 (Fits 24" or 48" wide cabinets)
- ST27x18 (Fits 27" wide cabinets, 2 trays)
- ST33x18 (Fits 33" wide cabinets, 2 trays)
- ST39x18 (Fits 39" wide cabinets, 2 trays)
- ST45x18 (Fits 45" wide cabinets, 2 trays)

**21" DEEP PULL OUT SHELF TRAYS**

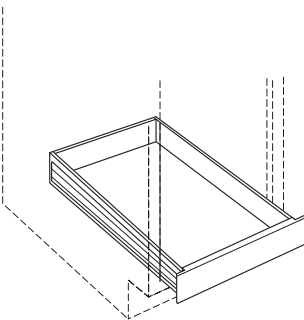
- ST12x21 (Fits 12" wide cabinets)
- ST15x21 (Fits 15" or 30" wide cabinets)
- ST18x21 (Fits 18" or 36" wide cabinets)
- ST21x21 (Fits 21" or 42" wide cabinets)
- ST24x21 (Fits 24" or 48" wide cabinets)
- ST27x21 (Fits 27" wide cabinets, 2 trays)
- ST33x21 (Fits 33" wide cabinets, 2 trays)
- ST39x21 (Fits 39" wide cabinets, 2 trays)
- ST45x21 (Fits 45" wide cabinets, 2 trays)

**24" DEEP PULL OUT SHELF TRAYS**

- ST12 (Fits 12" wide cabinets)
- ST15 (Fits 15" or 30" wide cabinets)
- ST18 (Fits 18" or 36" wide cabinets)
- ST21 (Fits 21" or 42" wide cabinets)
- ST24 (Fits 24" or 48" wide cabinets)
- ST27 (Fits 27" wide cabinets, 2 trays)
- ST33 (Fits 33" wide cabinets, 2 trays)
- ST39 (Fits 39" wide cabinets, 2 trays)
- ST45 (Fits 45" wide cabinets, 2 trays)

**WIDE BUTT DOOR PULL OUT SHELF TRAYS**

- Full depth shelf tray
- Shelf tray shipped with drawer guides for 18", 21", or 24" deep cabinets
- Not available in dovetail construction
- Maximum recommended load: 75 lbs



**18" DEEP PULL OUT SHELF TRAYS**

- ST27BDx18 (Fits 27" wide butt door cabinets)
- ST30BDx18 (Fits 30" wide butt door cabinets)
- ST33BDx18 (Fits 33" wide butt door cabinets)

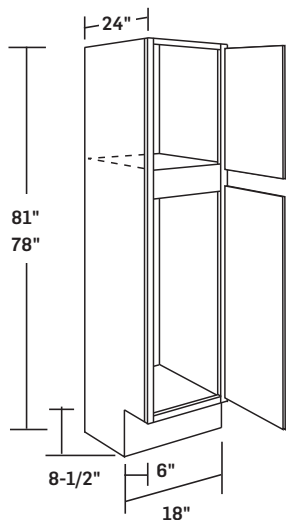
**21" DEEP PULL OUT SHELF TRAYS**

- ST27BDx21 (Fits 27" wide butt door cabinets)
- ST30BDx21 (Fits 30" wide butt door cabinets)
- ST33BDx21 (Fits 33" wide butt door cabinets)

**24" DEEP PULL OUT SHELF TRAYS**

- ST27BD (Fits 27" wide butt door cabinets)
- ST30BD (Fits 30" wide butt door cabinets)
- ST33BD (Fits 33" wide butt door cabinets)

For (DST) Deluxe Pull-Out Shelf Tray Sizes see page 97



## UNIVERSAL ACCESS 18" WIDE SINGLE DOOR UTILITY CABINETS

- Specify L or R door hinging
- HCUC1824x81 has one 5/8" thick adjustable full depth shelf in upper section
- 3 hinges per door on lower section
- 2 hinges per door for upper section
- Lower portion of utility cabinet shipped without shelves
- Order UCS1824 shelves separately (page 107)
- Single door top and bottom
- **Standard Reveal door styles only**

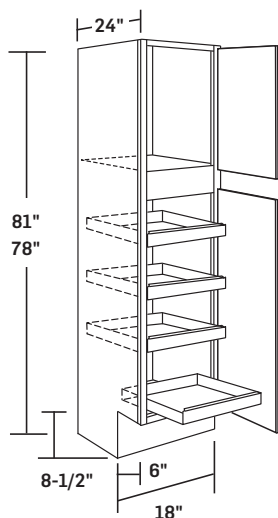
CFO
AD
FDS
FI
AW
MPE

### 78" HIGH UTILITY CABINET

HCUC1824x78 L or R

### 81" HIGH UTILITY CABINET

HCUC1824x81 L or R



## UNIVERSAL ACCESS 18" WIDE SINGLE DOOR PANTRY CABINETS WITH FOUR SHELF TRAYS

- Specify L or R door hinging
- 3 hinges per door on lower section
- 2 hinges per door for upper section
- Lower portion of utility cabinet has four standard depth shelf trays
- Single door top and bottom
- **Standard Reveal door styles only**

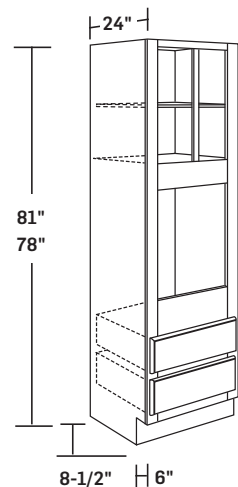
CFO
AD
FDS
FI
AW
MPE

### 78" HIGH UTILITY CABINET

HCPC1824x78 L or R

### 81" HIGH UTILITY CABINET

HCPC1824x81 L or R



## UNIVERSAL ACCESS DOUBLE DRAWER OVEN CABINETS

- One 5/8" thick adjustable full depth shelf in upper section
- Two standard depth drawers on bottom
- Trimmable drawers for larger ovens
- See page 108 OV27D, OV30D, and OV33D for minimum/maximum cut out sizes
- Gentle-Touch (soft-close) hinge not available

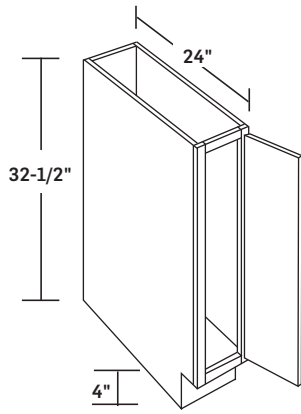
CFO
AD
FDS
FI
AW
MPE

### 78" HIGH UTILITY CABINET

HCOV27x78  
HCOV30x78  
HCOV33x78

### 81" HIGH UTILITY CABINET

HCOV27x81  
HCOV30x81  
HCOV33x81

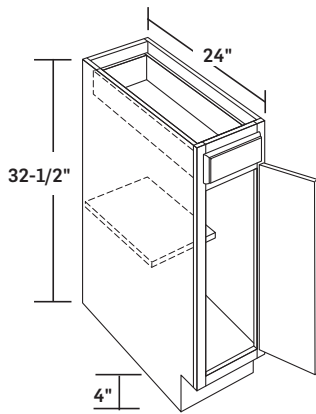


**UNIVERSAL ACCESS ADAPTABLE FULL HEIGHT SINGLE DOOR BASE CABINET**

- Two hinges per door
- Full height door
- Specify L or R door hinging

HAB09 L or R

■ CFO
■ AD
■ FDS
■ FI
■ AW
■ MPE

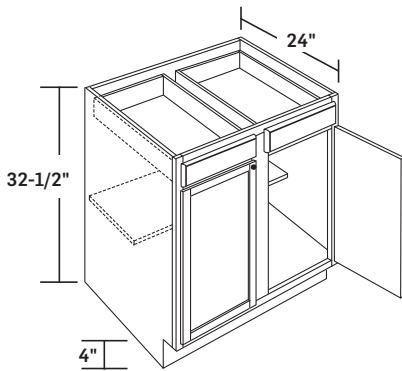


**UNIVERSAL ACCESS ADAPTABLE SINGLE DOOR AND DRAWER BASE CABINETS**

- Two hinges per door
- Specify L or R door hinging
- One 5/8" thick adjustable half depth shelf
- **Carlisle has two butt doors on HAB24**

HAB12 L or R  
 HAB15 L or R  
 HAB18 L or R  
 HAB21 L or R  
 HAB24 L or R

■ CFO
■ AD
■ FDS
■ FI
■ AW
■ MPE

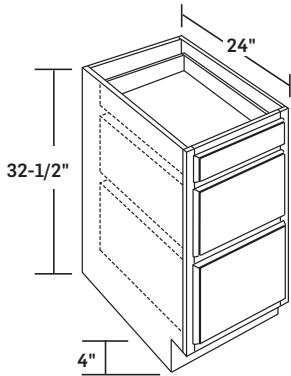


**UNIVERSAL ACCESS ADAPTABLE DOUBLE DOOR AND DRAWER BASE CABINETS**

- Two hinges per door
- One 5/8" thick adjustable half depth shelf
- **Carlisle has four butt doors on HAB48**

HAB27  
 HAB30  
 HAB33  
 HAB36  
 HAB39  
 HAB42  
 HAB45  
 HAB48

■ CFO
■ AD
■ FDS
■ FI
■ AW
■ MPE

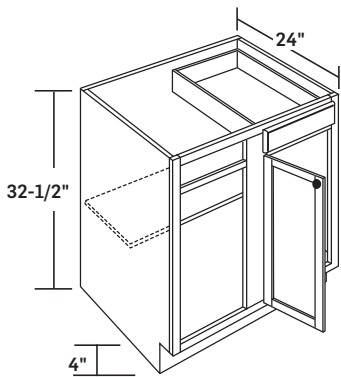


**UNIVERSAL ACCESS ADAPTABLE TRIPLE DRAWER BASE CABINETS**

- One standard depth drawer on top
- Two deep drawers on bottom
- Does not accommodate metal drawer files

HADB12  
HADB15  
HADB18  
HADB21  
HADB24

■ CFO
■ AD
FDS
FI
■ AW
■ MPE



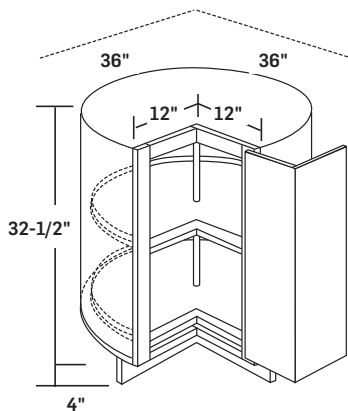
**UNIVERSAL ACCESS ADAPTABLE SINGLE DOOR AND DRAWER BLIND BASE CABINETS**

- Two hinges per door
- Specify L or R door hinging
- One 5/8" thick half depth shelf
- Shelf is adjustable on AllWood construction and fixed on Premier construction
- See page 99 for blind cabinet installation instructions
- Filler must be ordered separately. Allow 27" to turn corner.
- In Full Overlay styles order OBLB filler overlay (page 153)
- Blind section of cabinet has no center horizontal rail

HABLB36/39 R shown

HABLB36/39 L or R  
HABLB39/42 L or R  
HABLB42/45 L or R  
HABLB45/48 L or R  
HABLB48/51 L or R

■ CFO
■ AD
FDS
FI
■ AW
■ MPE

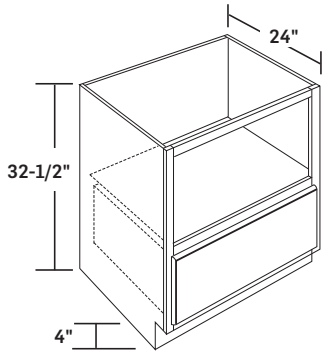


**UNIVERSAL ACCESS ADAPTABLE ROTATING CORNER BASE CABINET**

- Two hinges per door
- Specify L or R door hinging
- Requires 36" of wall space on both sides
- Shelf diameter is 24"
- Overall diameter is 26"
- This unit is not designed to be used at the end of a cabinet run or up against appliances. Allow for DWR1 (additional 1") of space when using this application.
- Gentle-Touch (soft-close) hinge not available

HACAR36 L or R

CFO
AD
FDS
FI
■ AW
MPE

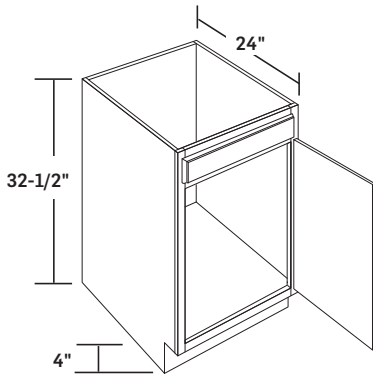


**UNIVERSAL ACCESS ADAPTABLE  
BASE MICROWAVE CABINET**

- One deep drawer on bottom
- Opening is 27" w x 13-3/4" h

HABMC30

■ CFO
AD
FDS
FI
■ AW
■ MPE

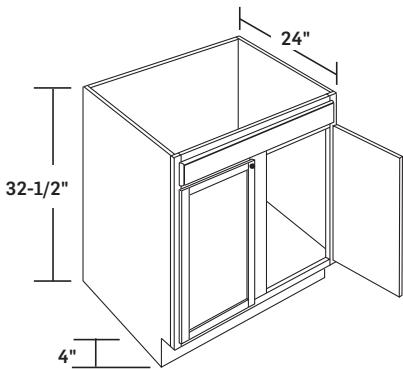


**UNIVERSAL ACCESS ADAPTABLE  
SINGLE DOOR SINK BASE CABINET**

- Two hinges per door
- Specify L or R door hinging
- **Carlisle has two butt doors on HASB24**

HASB24 L or R

■ CFO
■ AD
FDS
FI
■ AW
■ MPE

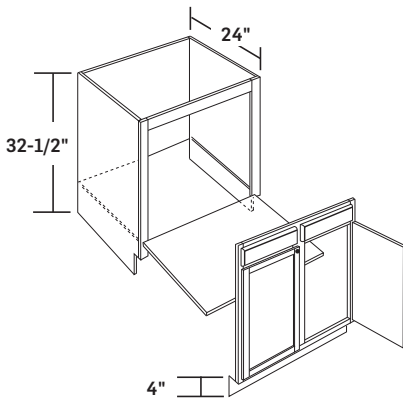


**UNIVERSAL ACCESS ADAPTABLE  
DOUBLE DOOR SINK BASE CABINETS**

- Two hinges per door

HASB27  
HASB30  
HASB33  
HASB36

■ CFO
■ AD
FDS
FI
■ AW
■ MPE



**UNIVERSAL ACCESS ADAPTABLE DOUBLE DOOR  
SINK BASE CABINETS WITH REMOVABLE FRONT**

- Two hinges per door

HASB30REM  
HASB33REM  
HASB36REM  
HASB42REM

■ CFO
■ AD
FDS
FI
■ AW
■ MPE

**UNIVERSAL ACCESS AND ADAPTABLE FRONT FRAME INSTRUCTIONS & DOOR CALCULATOR**

**UNIVERSAL ACCESS (HC) FRONT FRAME LEGEND & OPENING FORMULAS**

ID	DESCRIPTION	CABINET TYPE	OPENING FORMULA
<b>CW</b>	Cabinet Width	All	Width From Cabinet ID
<b>CH</b>	Cabinet Height	All	Height From Cabinet ID
<b>FFH</b>	Front Frame Height	All	CH minus Toe Kick
<b>DOW</b>	Door (& Drawer) Opening Width	Single Door	$CW - 3" = DOW$
	Door (& Drawer) Opening Width	Double Butt Door	$CW - 3" = DOW$ (For 2 Doors)
	Door (& Drawer) Opening Width	Double Door w/Post	$(CW - 6") \div 2 = DOW$
	Door (& Drawer) Opening Width	Single Door Blind	$CW - 15" = DOW$
	Door (& Drawer) Opening Width	Double Door Blind	$(CW - 18") \div 2 = DOW$
	Door Opening Width	Oven Cabinet	$(CW - 9") \div 2 = DOW$
<b>DOH</b>	Drawer Opening Width	Oven Cabinet	$CH - 6" = DOW$
	Door Opening Height	All	$CH - 9-1/2" = DOH$

**UNIVERSAL ACCESS (HC) DOOR DIMENSIONS CALCULATOR – WIDTH**

DOOR TYPE	DESCRIPTION OF DOOR TYPE	CABINET TYPE	DOOR DIMENSION FORMULA
<b>FODW</b>	Full Overlay Door Width (1/4" Reveal)	1 Door	$DOW + 2-1/2" = FODW$
		2 (Butt Doors)	$(DOW + 2-7/16") \div 2 = FODW$
<b>SODW</b>	Standard Overlay Door Width	1 Door	$DOW + 1" = SODW$
		2 (Butt Doors)	$(DOW + 15/16") \div 2 = SODW$
		2 (Oven Cabinets)	$DOW + 2-1/2" = SODW$

DECIMAL EQUIVALENT CHART LOCATED ON PAGE 26

**UNIVERSAL ACCESS (HC) DOOR DIMENSIONS CALCULATOR – HEIGHT**

DOOR TYPE	DESCRIPTION OF DOOR TYPE	CABINET TYPE	DOOR DIMENSION FORMULA
<b>FODH</b>	Full Overlay Door Height (1/4" Reveal)	All except Door & Dwr Base	$DOH + 1-1/2" = FODH$
		Door & Dwr Base	not available
<b>SODH</b>	Standard Overlay Door Height	All except Door & Dwr Base	$DOH + 1-1/8" = SODH$
		Door & Dwr Base	$DOH + 1-3/8" = SODH$

**DOOR HEIGHT EXCEPTIONS**

CABINET TYPE	DESCRIPTION OF CABINET	FOD	SOD
<b>HCUC Bottom Doors</b>	Single Door Utility Cabinets	not available	47-7/8"

**UNIVERSAL ACCESS (HC) DRAWER HEAD DIMENSIONS CALCULATOR – WIDTH**

DOOR TYPE	DESCRIPTION OF DOOR TYPE	CABINET TYPE	DOOR DIMENSION FORMULA
<b>FODW</b>	Full Overlay Door Width (1/4" Reveal)	All Base Cabinets	$DOW + 2-1/2" = FODW$
<b>SODW</b>	Standard Overlay Door Width	All Base Cabinets	$DOW + 1" = SODW$
		Oven Cabinets	$DOW + 4" = SODW$

DECIMAL EQUIVALENT CHART LOCATED ON PAGE 26

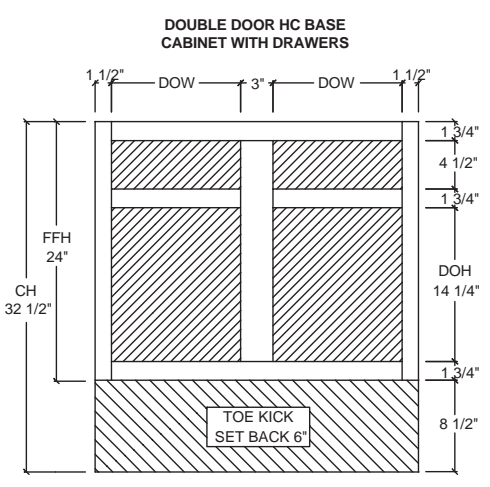
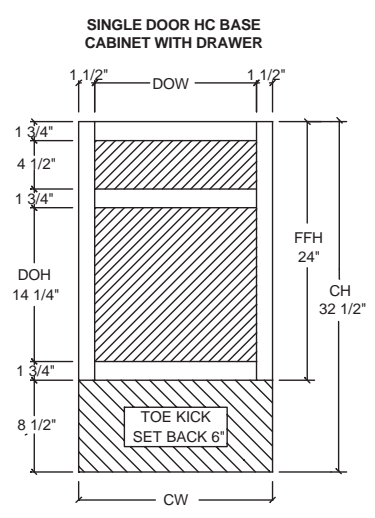
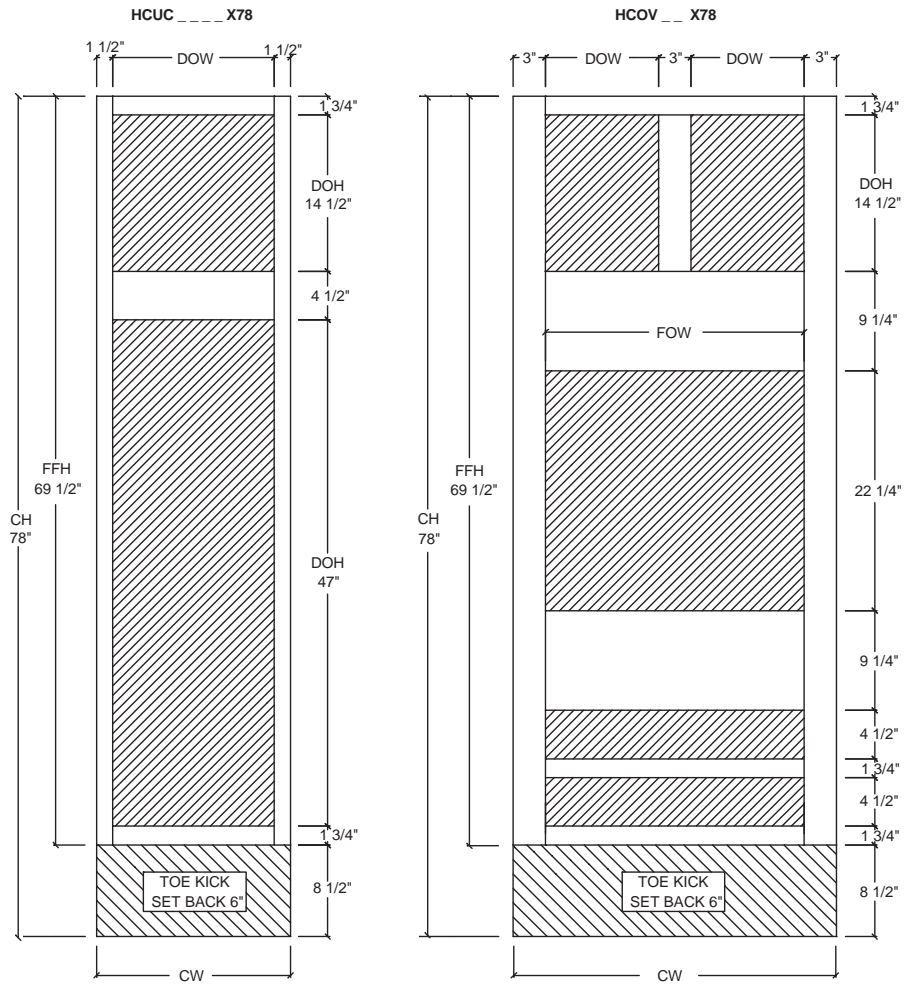
**UNIVERSAL ACCESS (HC) DRAWER HEAD DIMENSIONS CALCULATOR – HEIGHT**

DOOR TYPE	DESCRIPTION OF DOOR TYPE	CABINET TYPE	DOOR DIMENSION FORMULA
<b>FODH</b>	Full Overlay Door Height (1/4" Reveal)	Top Drawer	$DOH + 1-1/2" = FODH$
		Bottom Drawer	$DOH + 1-3/4" = FODH$
<b>SODH</b>	Standard Overlay Door Height	Top Drawer	$DOH + 1/2" = SODH$
		Bottom Drawer	$DOH + 1/2" = SODH$

**DOOR STYLE DESCRIPTION & IDENTIFICATION**

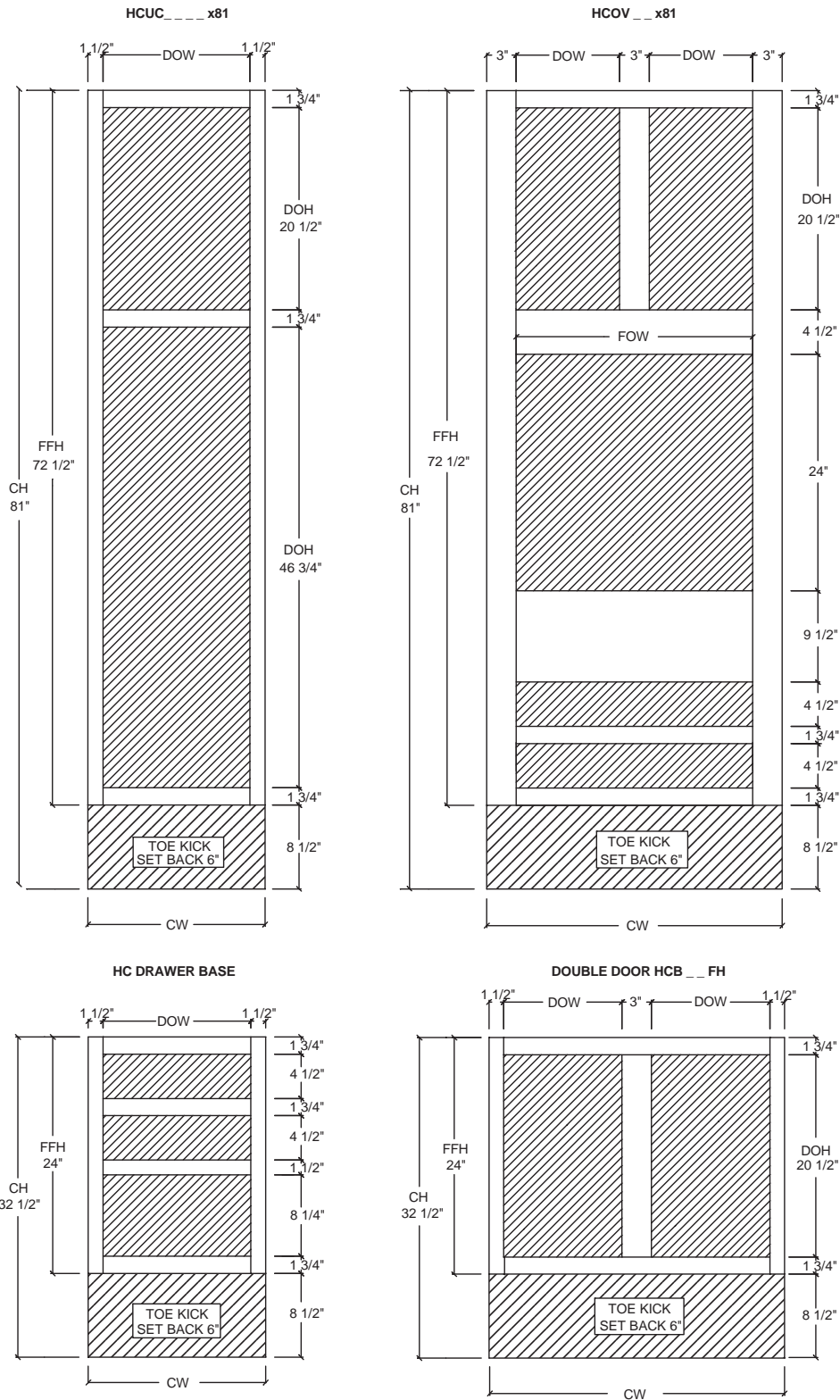
ID	DESCRIPTION	IDENTIFICATION
<b>FOD</b>	Full Overlay Door (1/4" Reveal)	Addison, Ardmore, Bedford, Belleview, Carlisle, Edinburgh, Freeman, Langdon, Lisburn, Marianna, Rossiter, Southampton, Sutton, Trevino, and Weston
<b>SOD</b>	Standard Overlay Door	Brisbin, Benton, Cheswick, Hargrove, Herndon, Norwich, Salerno, and Touraine

### UNIVERSAL ACCESS AND ADAPTABLE FRONT FRAMES

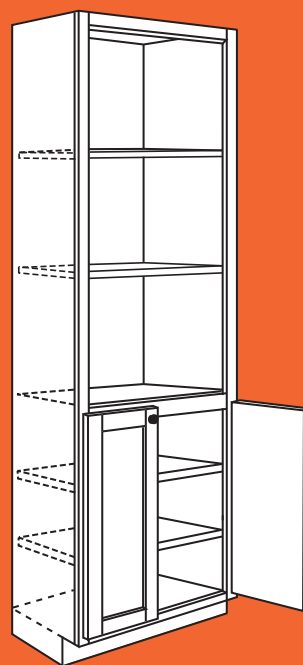


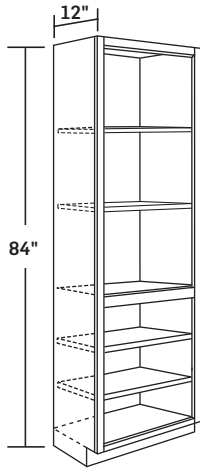


## UNIVERSAL ACCESS AND ADAPTABLE FRONT FRAMES



# OFFICE CABINETS



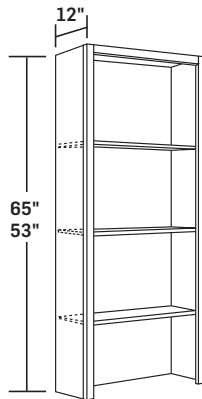


**84" HIGH x 12" DEEP BOOKCASES**

- Four 5/8" adjustable shelves
- Available in oak, maple, or cherry veneer plywood with finished interior and exterior
- Available in AllWood construction only for wood door styles
- Available in white thermofoil door styles only for Premier construction
- **Bookcases do not come with doors. For doors on the lower section of the cabinet, order 30" high wall cabinet doors separately.**

CFO
AD
❖ FI
❖ AW
MPE

BC2484  
BC3084  
BC3684



**53" or 65" HIGH x 12" DEEP BOOKCASES**

- Three 5/8" adjustable shelves
- Bookcase designed to sit on counter top. Trimmable height.
- Available in oak, maple, or cherry veneer plywood with finished interior and exterior
- Available in AllWood construction only for wood door styles
- Available in white thermofoil door styles only for Premier construction

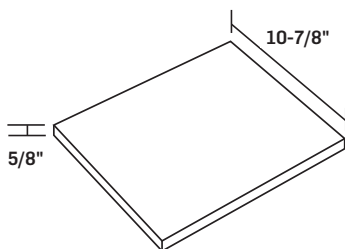
CFO
AD
❖ FI
❖ AW
MPE

**53" HIGH BOOKCASES**

BC2453  
BC3053  
BC3653

**65" HIGH BOOKCASES**

BC2465  
BC3065  
BC3665



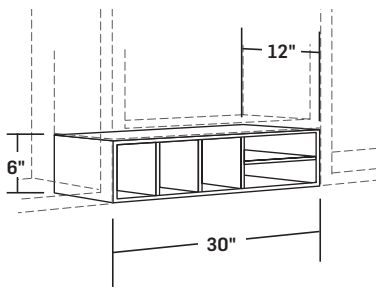
**12" DEEP ADJUSTABLE BOOKCASE SHELVES**

- 5/8" thick
- Each shelf shipped with 4-shelf supports
- Standard in oak, maple, or cherry veneer plywood with finished interior and exterior based on door style
- Available in Premier construction only when using white thermofoil door styles

CFO
AD
❖ FI
❖ AW
MPE

BCSH2412  
BCSH3012  
BCSH3612

**6" HIGH WALL CABINET ORGANIZER – 5 OPENINGS**

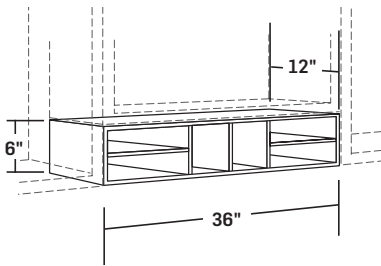


- Available in oak, maple, or cherry veneer
- White available in painted maple
- Install below 30" wide wall cabinet
- Finished interior and exterior
- Not recommended to be installed at the end of a cabinet run

ORG30

CFO
AD
❖ FI
AW
MPE

**6" HIGH WALL CABINET ORGANIZER – 6 OPENINGS**

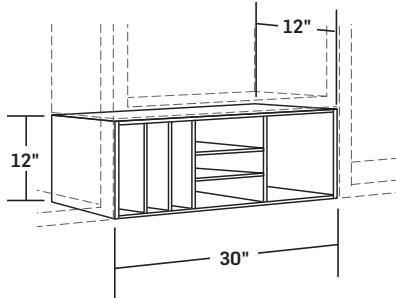


- Available in oak, maple, or cherry veneer
- White available in painted maple
- Install below 36" wide wall cabinet
- Finished interior and exterior
- Not recommended to be installed at the end of a cabinet run

ORG36

CFO
AD
❖ FI
AW
MPE

**12" HIGH WALL CABINET ORGANIZER – 7 OPENINGS**

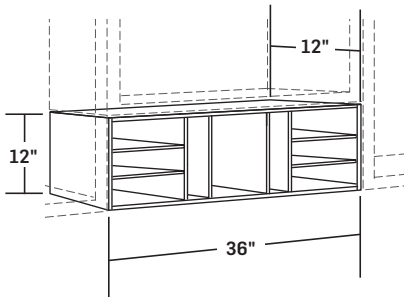


- Available in oak, maple, or cherry veneer
- White available in painted maple
- Install below 30" wide wall cabinet
- Finished interior and exterior
- Not recommended to be installed at the end of a cabinet run

ORG3012

CFO
AD
❖ FI
AW
MPE

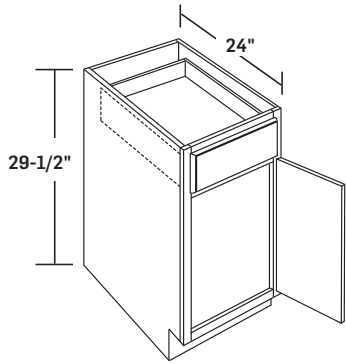
**12" HIGH WALL CABINET ORGANIZER – 9 OPENINGS**



- Available in oak, maple, or cherry veneer
- White available in painted maple
- Install below 36" wide wall cabinet
- Finished interior and exterior
- Not recommended to be installed at the end of a cabinet run

ORG3612

CFO
AD
❖ FI
AW
MPE

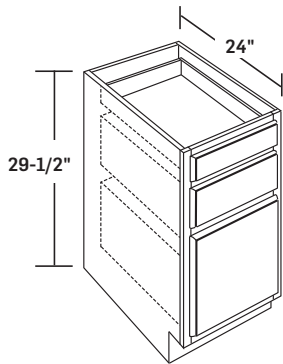


**SINGLE DOOR AND DRAWER  
DESK BASE CABINETS**

- One standard depth drawer
- Two hinges per door
- Specify L or R door hinging

DBD12 L or R  
DBD15 L or R  
DBD18 L or R  
DBD21 L or R

■ CFO
■ AD
■ FI
■ AW
■ MPE

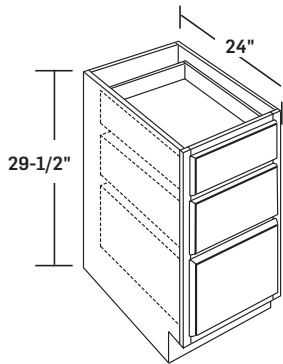


**FILE DRAWER DESK BASE CABINET**

- One thin profile desk drawer on top that is slab profile, regardless of style ordered
- One standard drawer in middle
- Heavy-duty drawer guide in lower depth drawer that accommodates metal files (not supplied)
- When dovetail drawer upgrade is ordered, soft-close will automatically be provided on bottom drawer for 100 lb. load capacity

FDB18

■ CFO
■ AD
■ FI
■ AW
■ MPE

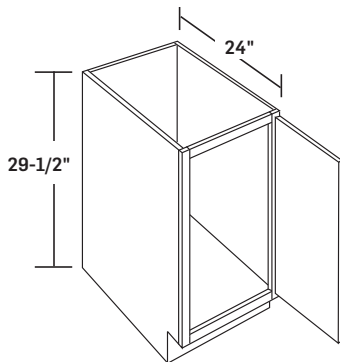


**DESK DRAWER BASE CABINETS**

- One standard depth drawer on top
- One slightly deeper drawer in middle
- One deep drawer on bottom (does not accommodate metal files)

DDB12  
DDB15  
DDB18  
DDB21  
DDB24

■ CFO
■ AD
■ FI
■ AW
■ MPE

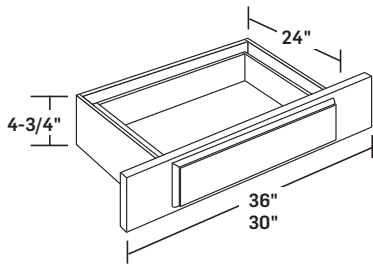


**DESK COMPUTER BASE CABINET**

- Two hinges per door
- Specify L or R door hinging
- Full height door

DCB15 L or R

■ CFO
■ AD
■ FI
■ AW
■ MPE



### SINGLE DESK CABINET DRAWERS

- One thin desk drawer that is slab profile, regardless of style ordered
- Trimmable 3" each side
- For 21" and 18" altered depth see VDD30T and VDD36T on page 127
- **Not available in glaze finish**

DD30T  
DD36T

CFO
AD
FI
AW
MPE

## OFFICE CABINET FRONT FRAME INSTRUCTIONS & DOOR CALCULATOR

### OFFICE & ENTERTAINMENT CENTER CABINET FRONT FRAME LEGEND & OPENING FORMULAS

ID	DESCRIPTION	CABINET TYPE	OPENING FORMULA
CW	Cabinet Width		
CH	Cabinet Height		
FFH	Front Frame Height		
OH	Opening Height		
OW	Opening Width		
DOH	Door Opening Height		
DOW	Door (Drawer) Opening Width	Single Door	$CW - 3" = DOW$
	Door (Drawer) Opening Width	Double Butt Door	$CW - 3" = DOW$ (For 2 Doors)
	Door (Drawer) Opening Width	Double Door w/Post	$(CW - 6") \div 2 = DOW$
DOH	Door Opening Height	Door and Drawer Cabinet	$CH - 9-1/4" = DOH$
	Door Opening Height	Full Height Door Base	$CH - 7-1/2" = DOH$

### OFFICE & ENTERTAINMENT CENTER DOOR DIMENSIONS CALCULATOR – WIDTH

DOOR TYPE	DESCRIPTION OF DOOR TYPE	CABINET TYPE	DOOR DIMENSION FORMULA
FODW	Full Overlay Door Width (1/4" Reveal)	1 and 2 Door Bases	$DOW + 2-1/2" = FODW$
		Butt Door Bases	$(DOW + 2-7/16") \div 2 = FODW$
SODW	Standard Overlay Door Width	1 and 2 Door Bases	$DOW + 1" = SODW$
		Butt Door Bases	$(DOW + 15/16") \div 2 = SODW$

DECIMAL EQUIVALENT CHART LOCATED ON PAGE 26

### OFFICE & ENTERTAINMENT CENTER DOOR DIMENSIONS CALCULATOR – HEIGHT

DOOR TYPE	DESCRIPTION OF DOOR TYPE	CABINET TYPE	DOOR DIMENSION FORMULA
FODH	Full Overlay Door Height (1/4" Reveal)	Standard Drwr and Door	$DOH + 2-1/4" = FODH$
		Full Height Door	$DOH + 2-1/2" = FODH$
SODH	Standard Overlay Door Height	Standard Drwr and Door	$DOH + 7/8" = SODH$
		Full Height Door	$DOH + 1" = SODH$

### DRAWER HEAD DIMENSIONS CALCULATOR – WIDTH

DOOR TYPE	DESCRIPTION OF DOOR TYPE	CABINET TYPE	DOOR DIMENSION FORMULA
FODW	Full Overlay Door Width (1/4" Reveal)	All Base Cabinets	$DOW + 2-1/2" = FODW$
SODW	Standard Overlay Door Width	All Base Cabinets	$DOW + 1" = SODW$

DECIMAL EQUIVALENT CHART LOCATED ON PAGE 26

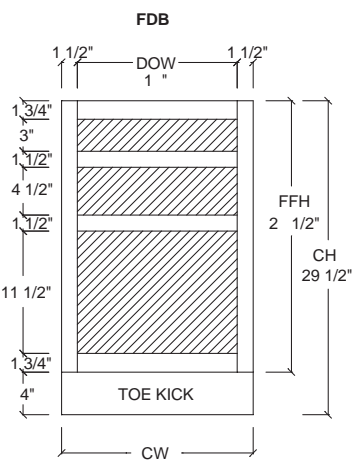
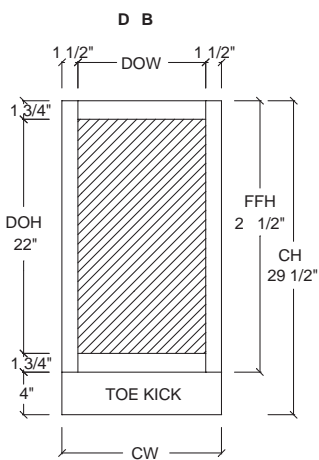
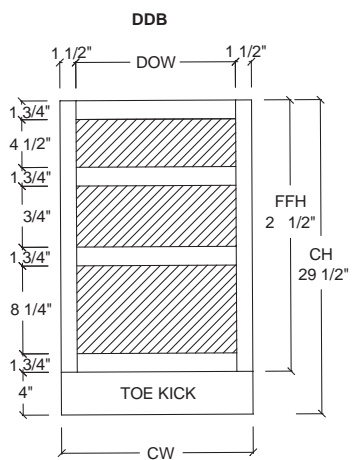
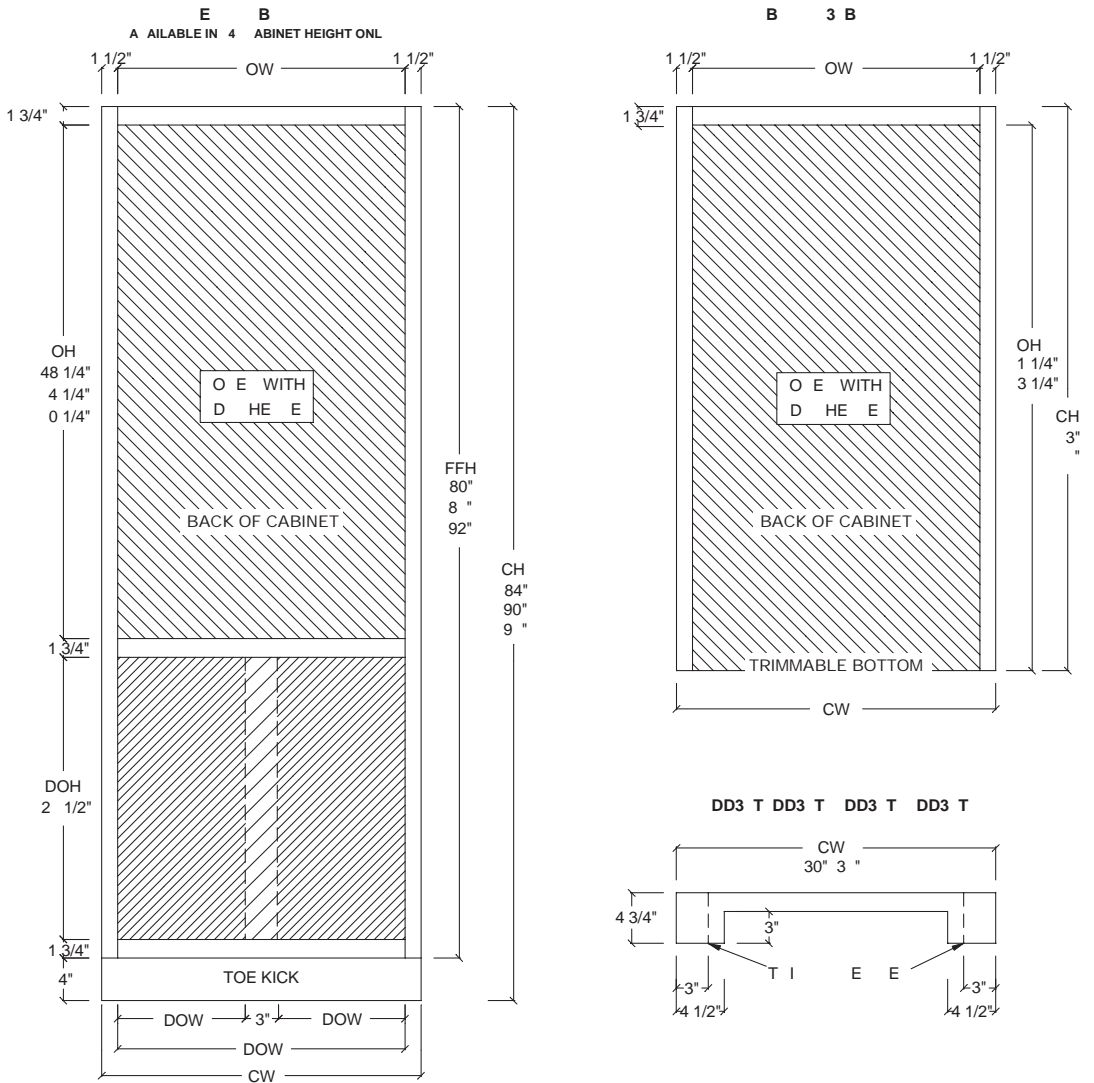
### DRAWER HEAD DIMENSIONS CALCULATOR – HEIGHT

DOOR TYPE	DESCRIPTION OF DOOR TYPE	CABINET TYPE	DOOR DIMENSION FORMULA
FODH	Full Overlay Door Height (1/4" Reveal)	Top Drawers	$DOH + 1-3/4" = FODH$
		Bottom Drawers	
SODH	Standard Overlay Door Height	All Drawers	$DOH + 1/2" = SODH$

### DRAWER HEAD SIZE EXCEPTIONS

CABINET TYPE	DESCRIPTION OF CABINET	FOD	SOD
FDB18 Top Drawer	File Drawer Base Desk Cabinet	17-1/2" x 4-1/2"	16" x 3-1/2"
FDB18 Bottom Drawer	File Drawer Base Desk Cabinet	17-1/2" x 13"	16" x 12"

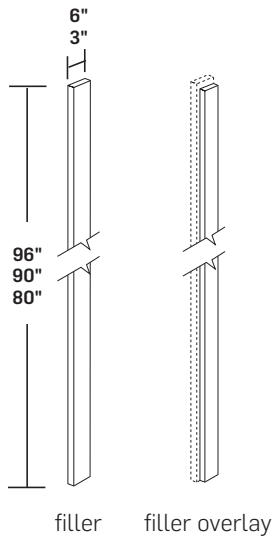
# OFFICE CABINET FRONT FRAMES





# MOLDINGS AND PANELS





**96", 90" and 84" HIGH UTILITY CABINET FILLERS AND FILLER OVERLAYS**

- Overlay is for use with Full Overlay door styles only
- Overlay is shipped loose for field installation to filler
- Order UF396, or UF696, UF384, or UF684 as backplate to filler overlay
- Alder, Cherry, and Maple fillers are solid
- Fillers are finished on face only
- Filler overlays are finished on all sides
- **Standard birch and oak fillers are plywood.** To order solid birch or oak fillers, add "S" suffix – example: UF396S
- **Overlay fillers are not available for Marianna**

PAPER WRAPPED
ALDER
BIRCH
CHERRY
LAMINATE
MAPLE
OAK

**3/4" thick veneer Filler**

- UF396
- UF696
- UF384
- UF684

**3/4" thick solid oak or birch Filler**

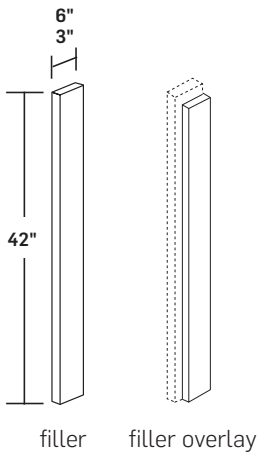
- UF396S
- UF696S
- UF384S
- UF684S

**3/4" thick Filler Overlay**

- OUF396 2-1/2" w x 91" h
- OUF696 5-1/2" w x 91" h
- OUF390 2-1/2" w x 85" h
- OUF690 5-1/2" w x 85" h
- OUF384 2-1/2" w x 79" h
- OUF684 5-1/2" w x 79" h

**FILLER CONSTRUCTION**

FILLER	ALDER, MAPLE, AND CHERRY	BIRCH AND OAK
UF396	Solid	Plywood
UF696	Solid	Plywood
UF384	Solid	Plywood
UF684	Solid	Plywood
UF396S	N/A	Solid
UF696S	N/A	Solid
UF384S	N/A	Solid
UF684S	N/A	Solid



**42" and 36" WALL CABINET FILLERS AND FILLER OVERLAYS**

- Overlay is for use with Full Overlay door styles only
- Overlay is shipped loose for field installation to filler
- Order UF342, or UF642, UF336, or UF636 as backplate to filler overlay
- Alder, Cherry, and Maple fillers are solid
- Fillers are finished on face only
- Filler overlays are finished on all sides
- **Standard birch and oak fillers are plywood.** To order solid birch or oak fillers, add "S" suffix – example: UF396S
- **Overlay fillers are not available for Marianna**

PAPER WRAPPED
ALDER
BIRCH
CHERRY
LAMINATE
MAPLE
OAK

**3/4" thick Filler**

UF342  
UF642

**3/4" thick Filler (solid oak or birch)**

UF342S  
UF642S

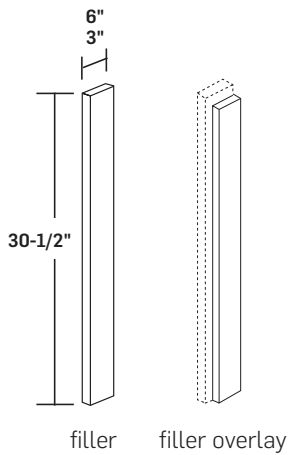
**3/4" thick Filler Overlay**

OUF342      2-1/2" w x 41" h  
OUF642      5-1/2" w x 41" h  
OUF336      2-1/2" w x 35" h  
OUF636      5-1/2" w x 35" h

**3/4" thick Blind Wall Filler Overlay**

OBLWF342    2-3/4" w x 41" h  
OBLWF642    5-3/4" w x 41" h  
OBLWF336    2-3/4" w x 35" h  
OBLWF636    5-3/4" w x 35" h

FILLER CONSTRUCTION		
FILLER	ALDER, MAPLE, AND CHERRY	BIRCH AND OAK
UF342	Solid	Plywood
UF642	Solid	Plywood
UF342S	N/A	Solid
UF642S	N/A	Solid



**UNIVERSAL CABINET FILLERS AND FILLER OVERLAYS**

- Overlay is for use with Full Overlay door styles only
- Overlay is shipped loose for field installation to filler
- Order UF3, or UF6 as backplate to filler overlay
- Trim UF3, or UF6 fillers to 30" high for 30" high wall cabinet installation
- Alder, Cherry, and Maple fillers are solid
- Fillers are finished on face only
- Filler overlays are finished on all sides
- **Standard birch and oak fillers are plywood.** To order solid birch or oak fillers, add "S" suffix – example: UF396S
- **Overlay fillers are not available for Marianna**

PAPER WRAPPED
ALDER
BIRCH
CHERRY
LAMINATE
MAPLE
OAK

**3/4" thick Filler**

UF3  
UF6

**3/4" thick Filler (solid oak or birch)**

UF3S  
UF6S

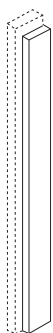
**3/4" thick Filler Overlay**

OWF3            2-1/2" w x 29" h  
OWF6            5-1/2" w x 29" h

**3/4" thick Blind Wall Filler Overlay**

OBLWF3        2-3/4" w x 29" h  
OBLWF6        5-3/4" w x 29" h

FILLER CONSTRUCTION		
FILLER	ALDER, MAPLE, AND CHERRY	BIRCH AND OAK
UF3	Solid	Plywood
UF6	Solid	Plywood
UF3S	N/A	Solid
UF6S	N/A	Solid



**27" and 21" HIGH WALL CABINET FILLER OVERLAYS**

- Overlay is for use with Full Overlay door styles only
- Overlay is shipped loose for field installation to filler
- Order UF3 (trimmable) for backplate to filler overlay
- Finished on all sides
- **Cherry and maple fillers are solid. Oak and birch fillers are veneer plywood**
- **Overlay fillers are not available for Marianna**

OWF321      2-1/2" w x 20" h  
 OWF327      2-1/2" w x 26" h

PAPER WRAPPED
ALDER
■ BIRCH
■ CHERRY
LAMINATE
■ MAPLE
■ OAK



**24" HIGH WALL CABINET FILLER OVERLAYS**

- Overlay is for use with Full Overlay door styles only
- Overlay is shipped loose for field installation to filler
- Order UF3 or UF6 (trimmable) for backplate to filler overlay
- Finished on all sides
- **Cherry and maple fillers are solid. Oak and birch fillers are veneer plywood**
- **Overlay fillers are not available for Marianna**

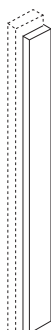
**3/4" thick Filler Overlay**

OWF324      2-1/2" w x 23" h  
 OWF624      5-1/2" w x 23" h

**3/4" thick Blind Wall Filler Overlay**

OBLWF324    2-3/4" w x 23" h  
 OBLWF624    5-3/4" w x 23" h

PAPER WRAPPED
ALDER
■ BIRCH
■ CHERRY
LAMINATE
■ MAPLE
■ OAK

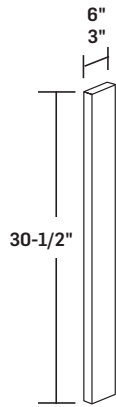


**18" and 15" HIGH WALL CABINET FILLER OVERLAYS**

- Overlay is for use with Full Overlay door styles only
- Overlay is shipped loose for field installation to filler
- Order UF3 (trimmable) for backplate to filler overlay
- Finished on all sides
- **Cherry and maple fillers are solid. Oak and birch fillers are veneer plywood**
- **Overlay fillers are not available for Marianna**

OWF315      2-1/2" w x 14" h  
 OWF318      2-1/2" w x 17" h

PAPER WRAPPED
ALDER
■ BIRCH
■ CHERRY
LAMINATE
■ MAPLE
■ OAK

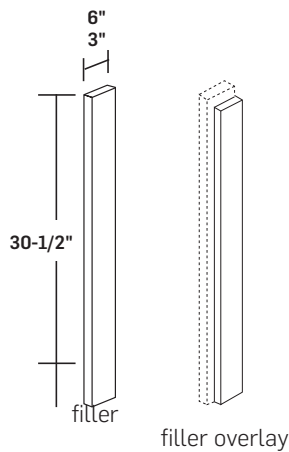


**BASE CABINET FILLER PULL-OUTS**

- Meant to be used with base cabinet filler pull-outs
- CCUF3S is used with 434BF3SS and 432BF3CARM (see Elements Organized Solutions brochure)
- CCUF6S is used with 434BF6SS and 432BF6CARM (see Elements Organized Solutions brochure)
- Filler shipped loose for field installation to the above pull-out accessories
- For Full Overlay door styles order OBF3 or OBF6 filler overlay to install in front of CCUF3S and CCUF6S
- Solid oak, maple, cherry, alder, or birch lumber
- Finished on all sides

PAPER WRAPPED
ALDER
BIRCH
CHERRY
LAMINATE
MAPLE
OAK

CCUF3S  
CCUF6S



**BASE CABINET FILLERS AND FILLER OVERLAYS**

- Overlay is for use with Full Overlay door styles only
- Overlay is shipped loose for field installation to filler
- Order UF3 or UF6 (trimmable) for backplate to filler overlay
- Alder, Cherry, and Maple fillers are solid
- Fillers are finished on face only
- Filler overlays are finished on all sides
- **Standard birch and oak fillers are plywood.** To order solid birch or oak fillers, add "S" suffix – example: UF396S
- **Overlay fillers are not available for Marianna**

PAPER WRAPPED
ALDER
BIRCH
CHERRY
LAMINATE
MAPLE
OAK

**3/4" thick Filler**

UF3  
UF6

**3/4" thick Filler (solid oak or birch)**

UF3S  
UF6S

**3/4" thick Filler Overlay**

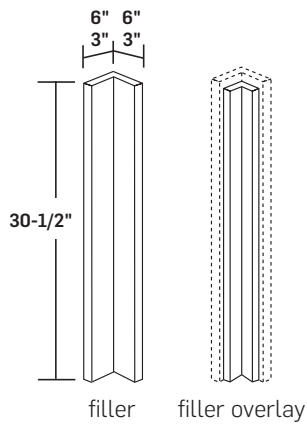
OBF3            2-1/2" w x 29-1/2" h  
OBF6            5-1/2" w x 29-1/2" h

**3/4" thick Blind Base Filler Overlay**

OBLBF3        2-3/4" w x 29-1/2" h  
OBLBF6        5-3/4" w x 29-1/2" h

**FILLER CONSTRUCTION**

FILLER	ALDER, MAPLE, AND CHERRY	BIRCH AND OAK
UF3	Solid	Plywood
UF6	Solid	Plywood
UF3S	N/A	Solid
UF6S	N/A	Solid



## BASE CABINET CORNER FILLERS AND CORNER FILLER OVERLAYS

- Overlay is for use with Full Overlay door styles only
- Overlay is shipped loose for field installation to filler
- Order BCF3x3 or BCF6x6 as backplate to filler overlay
- Alder, Cherry, and Maple fillers are solid
- Fillers are finished on face only
- Filler overlays are finished on all sides
- **Standard birch and oak fillers are plywood.** To order solid birch or oak fillers, add "S" suffix – example: UF396S
- **Overlay fillers are not available for Marianna**

PAPER WRAPPED
ALDER
BIRCH
CHERRY
LAMINATE
MAPLE
OAK

### Filler

BCF3x3  
BCF6x6

### Filler (solid oak or birch)

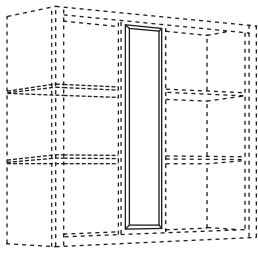
BCF3x3S  
BCF6x6S

### Filler Overlay

OBCF3x3      2-3/4" w x 29-1/2" h  
OBCF6x6      5-3/4" w x 29-1/2" h

### FILLER CONSTRUCTION

FILLER	ALDER, MAPLE, AND CHERRY	BIRCH AND OAK
BCF3x3	Solid	Plywood
BCF6x6	Solid	Plywood
BCF3x3S	N/A	Solid
BCF6x6S	N/A	Solid

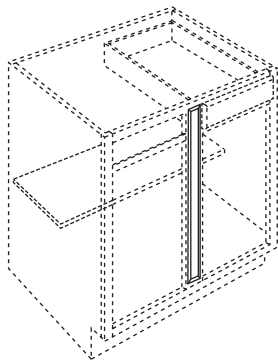


**BLIND WALL CABINET FILLER OVERLAY**

- Filler overlay shipped loose for field installation on Blind Wall Cabinet
- For Full Overlay door styles only
- Alder, cherry, and maple fillers are solid. Oak and birch fillers are veneer plywood
- Finished on all sides
- **Overlay fillers are not available for Marianna**

OBLW24 5-1/2" w x 23" h  
 OBLW30 5-1/2" w x 29" h  
 OBLW36 5-1/2" w x 35" h  
 OBLW42 5-1/2" w x 41" h

PAPER WRAPPED
■ ALDER
■ BIRCH
■ CHERRY
■ LAMINATE
■ MAPLE
■ OAK



**BLIND BASE CABINET FILLER OVERLAY**

- Filler overlay shipped loose for field installation on Blind Base Cabinet
- For Full Overlay door styles only
- Finished on all sides

OBLB 5-1/2" w x 29-1/2" h



**DESK DRAWER FILLER OVERLAY**

- Full Overlay styles only
- Finished on all sides

OVF3x29 2-1/2" w x 24-1/2" h

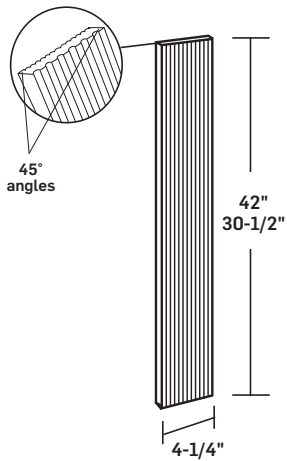


**VANITY FILLER OVERLAYS**

- Full Overlay styles only
- For filler backplate order UF3 or UF6 (trimmable)
- Finished on all sides

OVF3 2-1/2" w x 27-1/2" h  
 OVF6 5-1/2" w x 27-1/2" h



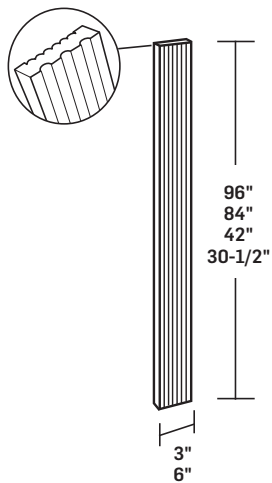


### FLUTED BEADED ANGLE FILLERS

- Solid maple or cherry
- Maple is used when ordering birch door styles. Cherry is used when ordering rustic alder door styles.
- Reversible filler is fluted on one side and beaded on the other
- Finished all sides
- 3/4" thick
- 45° angles on top and bottom
- Pull cabinet 3" forward
- Available in glaze finishes
- Beaded side only of filler is glazed finish

PAPER WRAPPED
ALDER
BIRCH
■ CHERRY
LAMINATE
■ MAPLE
OAK

FBAF530  
FBAF542



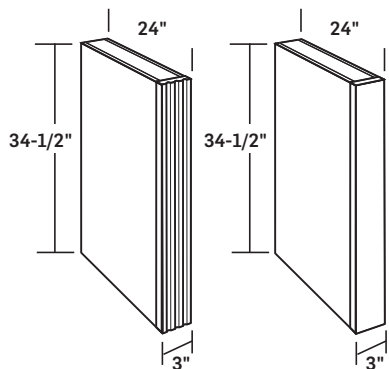
### 3" AND 6" FLUTED BEADED FILLERS

- Solid maple or cherry
- Maple is used when ordering birch door styles. Cherry is used when ordering rustic alder door styles.
- Reversible filler is fluted on one side and beaded on the other
- Beaded side only gets glazed finish
- Finished on all sides
- 3/4" thick
- Available in glaze finishes

PAPER WRAPPED
ALDER
BIRCH
■ CHERRY
LAMINATE
■ MAPLE
OAK

FBF330  
FBF342  
FBF384  
FBF396

FBF630  
FBF642  
FBF684  
FBF696

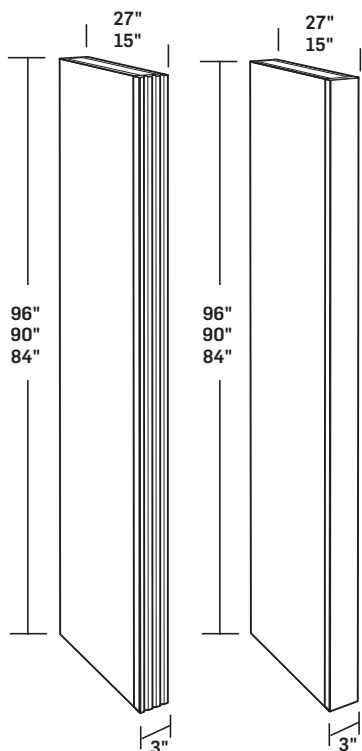


### FLUTED OR PLAIN BASE COLUMNS

- Maple is used when ordering birch door styles. Cherry is used when ordering rustic alder door styles.
- Trimmable
- Filler box comes in oak, maple, or cherry veneer
- Finished on face and sides
- Glaze finishes available on fluted column

BFC32434  
BPC32434

PAPER WRAPPED
ALDER
BIRCH
CHERRY
LAMINATE
MAPLE
OAK



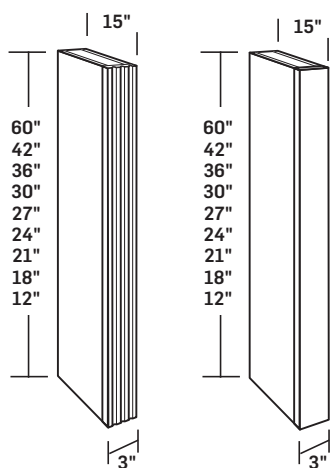
### FLUTED OR PLAIN TALL COLUMNS

- Maple is used when ordering birch door styles. Cherry is used when ordering rustic alder door styles.
- Trimmable
- Filler box comes in oak, maple, or cherry veneer
- Finished on face and sides
- Glaze finishes available on fluted column

TFC31584  
TFC31590  
TFC31596  
TFC32784  
TFC32790  
TFC32796

TPC31584  
TPC31590  
TPC31596  
TPC32784  
TPC32790  
TPC32796

PAPER WRAPPED
ALDER
BIRCH
CHERRY
LAMINATE
MAPLE
OAK



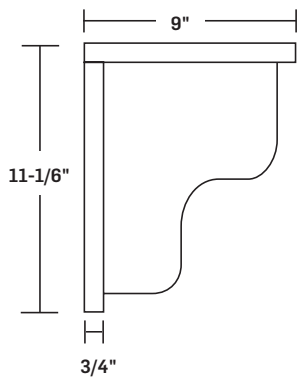
### FLUTED OR PLAIN WALL COLUMNS

- Maple is used when ordering birch door styles. Cherry is used when ordering rustic alder door styles.
- Trimmable
- Filler box comes in oak, maple, or cherry veneer
- Finished on face and sides
- Glaze finishes available on fluted column

WFC31512  
WFC31515  
WFC31518  
WFC31521  
WFC31524  
WFC31527  
WFC31530  
WFC31536  
WFC31542  
WFC31560

WPC31512  
WPC31515  
WPC31518  
WPC31521  
WPC31524  
WPC31527  
WPC31530  
WPC31536  
WPC31542  
WPC31560

PAPER WRAPPED
ALDER
BIRCH
CHERRY
LAMINATE
MAPLE
OAK



**COUNTER SUPPORT**

- Maple is used when ordering birch door styles. Cherry is used when ordering rustic alder door styles.

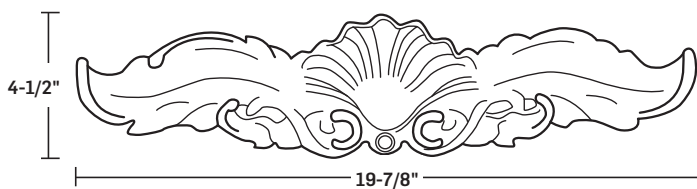
CS

PAPER WRAPPED
ALDER
BIRCH
CHERRY
LAMINATE
MAPLE
OAK

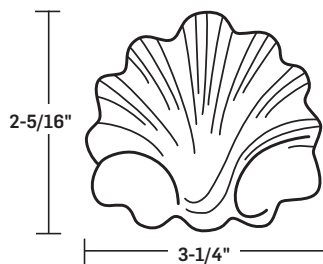
**DECORATIVE ONLAY APPLIQUE**

- Maple is used when ordering birch door styles. Cherry is used when ordering rustic alder door styles.
- Attach using small brad
- Available in glaze finishes

DOA



PAPER WRAPPED
ALDER
BIRCH
CHERRY
LAMINATE
MAPLE
OAK



**SHELL APPLIQUE**

- Maple is used when ordering birch door styles. Cherry is used when ordering rustic alder door styles.
- Attach using small brad
- Available in glaze finishes

SOA

PAPER WRAPPED
ALDER
BIRCH
CHERRY
LAMINATE
MAPLE
OAK



**ACANTHUS CORBEL LARGE**

- Maple is used when ordering birch door styles. Cherry is used when ordering rustic alder door styles.
- Mounting hardware included
- Available in glaze finishes

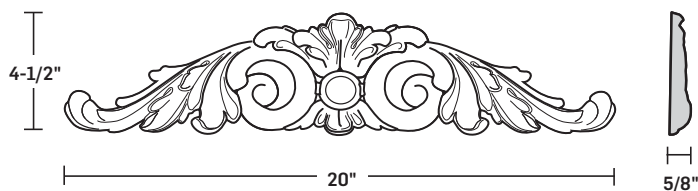
ACL

PAPER WRAPPED
ALDER
BIRCH
CHERRY
LAMINATE
MAPLE
OAK

**ACANTHUS ONLAY**

- Maple is used when ordering birch door styles. Cherry is used when ordering rustic alder door styles.
- Attach using small brad
- 5/8" thick
- Available in glaze finishes

ASO

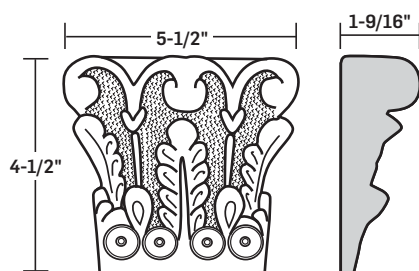


PAPER WRAPPED
ALDER
BIRCH
■ CHERRY
LAMINATE
■ MAPLE
■ OAK

**MEDIUM ACANTHUS CAPITAL**

- Maple is used when ordering birch door styles. Cherry is used when ordering rustic alder door styles.
- Attach using small brad
- 1-9/16" thick
- Available in glaze finishes

MASC

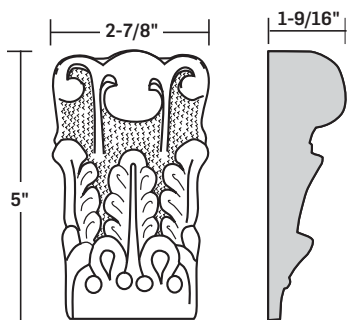


PAPER WRAPPED
ALDER
BIRCH
■ CHERRY
LAMINATE
■ MAPLE
■ OAK

**TALL ACANTHUS CAPITAL**

- Maple is used when ordering birch door styles. Cherry is used when ordering rustic alder door styles.
- Attach using small brad
- 1-9/16" thick
- Available in glaze finishes

TASC

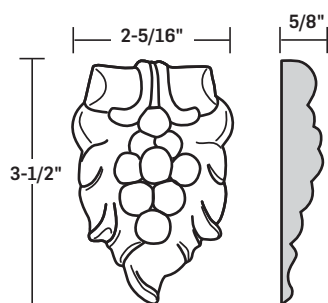


PAPER WRAPPED
ALDER
BIRCH
■ CHERRY
LAMINATE
■ MAPLE
■ OAK

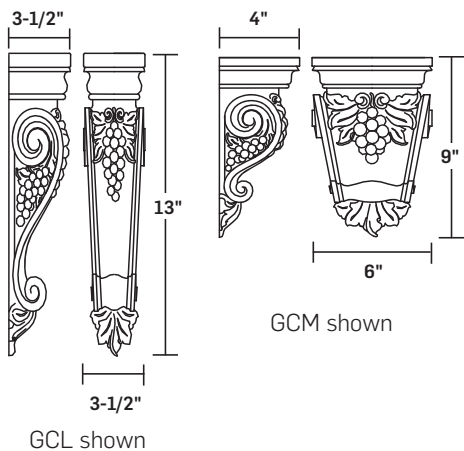
**SMALL GRAPE ORNAMENT**

- Maple is used when ordering birch door styles. Cherry is used when ordering rustic alder door styles.
- Attach using small brad
- 5/8" thick
- Available in glaze finishes

SGO



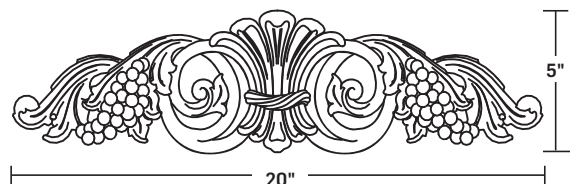
PAPER WRAPPED
ALDER
BIRCH
■ CHERRY
LAMINATE
■ MAPLE
■ OAK



**GRAPE CORBELS**

- Maple is used when ordering birch and thermofoil door styles. Cherry is used when ordering rustic alder door styles.
- Available in glaze finishes

PAPER WRAPPED
ALDER
BIRCH
CHERRY
LAMINATE
MAPLE
OAK

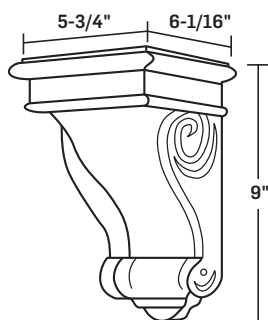


**GRAPE DECORATIVE ONLAY**

- Maple is used when ordering birch and thermofoil door styles. Cherry is used when ordering rustic alder door styles.
- 5/8" thick
- Available in glaze finishes

PAPER WRAPPED
ALDER
BIRCH
CHERRY
LAMINATE
MAPLE
OAK

GDO20

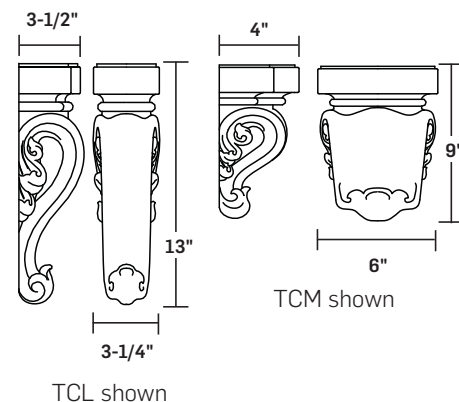


**CARVED CORBEL**

- Maple is used when ordering birch door styles. Cherry is used when ordering rustic alder door styles.
- Mounting hardware included
- Available in glaze finishes

PAPER WRAPPED
ALDER
BIRCH
CHERRY
LAMINATE
MAPLE
OAK

CC9



**TRADITIONAL CORBELS**

- Maple is used when ordering birch and thermofoil door styles. Cherry is used when ordering rustic alder door styles.
- Available in glaze finishes

PAPER WRAPPED
ALDER
BIRCH
CHERRY
LAMINATE
MAPLE
OAK

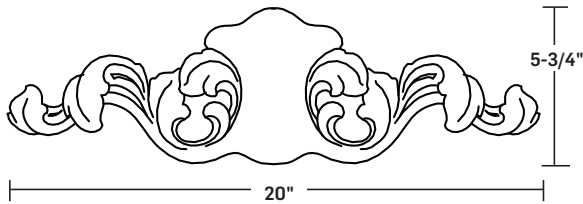
TCL

TCM

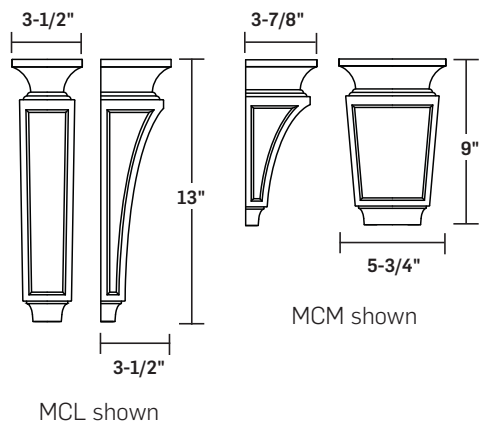
**TRADITIONAL DECORATIVE ONLAY**

- Maple is used when ordering birch and thermofoil door styles. Cherry is used when ordering rustic alder door styles.
- 1 1/2" thick
- Available in glaze finishes

TDO20



PAPER WRAPPED
ALDER
BIRCH
CHERRY
LAMINATE
MAPLE
OAK



**MISSION CORBELS**

- Maple is used when ordering birch door styles. Cherry is used when ordering rustic alder door styles.
- Available in glaze finishes

MCL

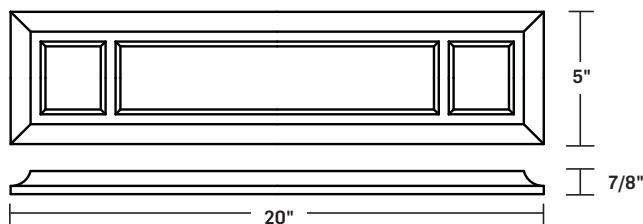
MCM

PAPER WRAPPED
ALDER
BIRCH
CHERRY
LAMINATE
MAPLE
OAK

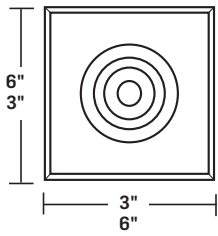
**MISSION DECORATIVE ONLAY**

- Maple is used when ordering birch door styles. Cherry is used when ordering rustic alder door styles.
- 7/8" thick
- Available in glaze finishes

MDO20

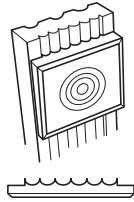


PAPER WRAPPED
ALDER
BIRCH
CHERRY
LAMINATE
MAPLE
OAK

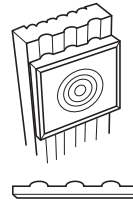


### 3" and 6" ROSETTE BLOCK

- Maple is used when ordering birch door styles. Cherry is used when ordering rustic alder door styles.
- Available in glaze finishes
- "B" for exposed beaded side
- "F" for exposed fluted side

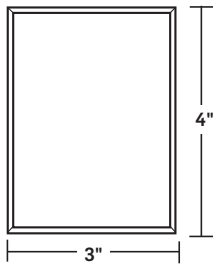


**Beaded Block**  
BRB3x3  
BRB6x6



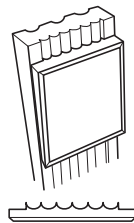
**Fluted Block**  
FRB3x3  
FRB6x6

PAPER WRAPPED
ALDER
BIRCH
CHERRY
LAMINATE
MAPLE
OAK

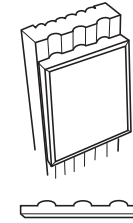


### 3" PLINTH BLOCK

- Maple is used when ordering birch door styles. Cherry is used when ordering rustic alder door styles.
- **Not available in glaze finishes**
- "B" for exposed beaded side
- "F" for exposed fluted side

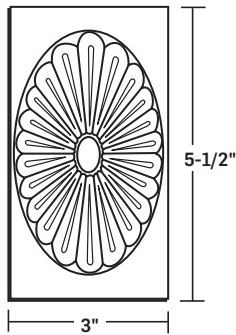


**Beaded Block**  
BP3x4



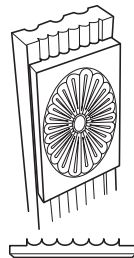
**Fluted Block**  
FP3x4

PAPER WRAPPED
ALDER
BIRCH
CHERRY
LAMINATE
MAPLE
OAK

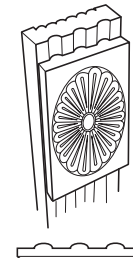


### 3" ASTER BLOCK

- Maple is used when ordering birch door styles. Cherry is used when ordering rustic alder door styles.
- Available in glaze finishes
- "B" for exposed beaded side
- "F" for exposed fluted side

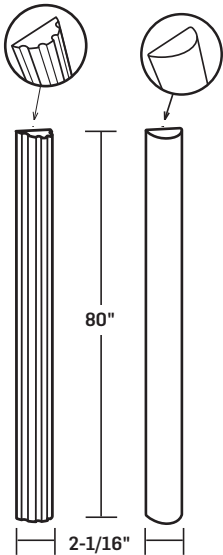


**Beaded Block**  
BA3x6



**Fluted Block**  
FA3x6

PAPER WRAPPED
ALDER
BIRCH
CHERRY
LAMINATE
MAPLE
OAK



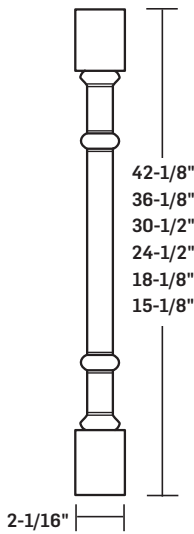
**FLUTED OR PLAIN SPLIT POSTS**

- Maple is used when ordering birch door styles. Cherry is used when ordering rustic alder door styles.
- 3/4" thick x 2-1/16" wide
- Install split posts up against a 3" filler
- Glaze finishes available for fluted post

SPLT80F

SPLT80P

PAPER WRAPPED
ALDER
BIRCH
CHERRY
LAMINATE
MAPLE
OAK

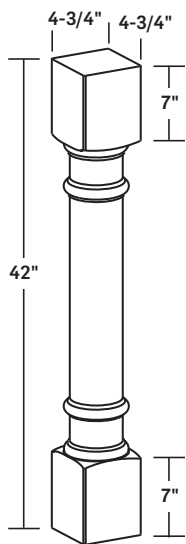


**TRADITIONAL SPLIT POSTS**

- Maple is used when ordering birch door styles. Cherry is used when ordering rustic alder door styles.
- 3/4" thick
- Available in glaze finishes
- Install split posts up against a 3" filler

TSP15	(15 1/8" H)
TSP18	(18 1/8" H)
TSP24	(24 1/2" H)
TSP30	(30 1/2" H)
TSP36	(36 1/8" H)
TSP42	(42 1/8" H)

PAPER WRAPPED
ALDER
BIRCH
CHERRY
LAMINATE
MAPLE
OAK



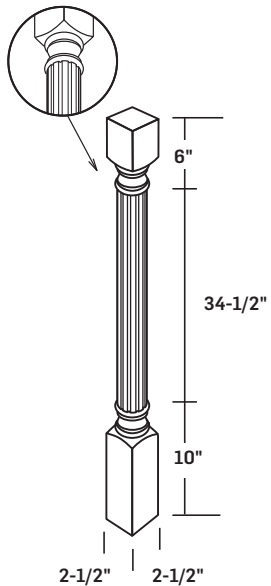
**ROMAN SPINDLE**

- Maple is used when ordering birch door styles. Cherry is used when ordering rustic alder door styles.
- 4-3/4" x 4-3/4" thick
- Available in glaze finishes

RSP42

PAPER WRAPPED
ALDER
BIRCH
CHERRY
LAMINATE
MAPLE
OAK



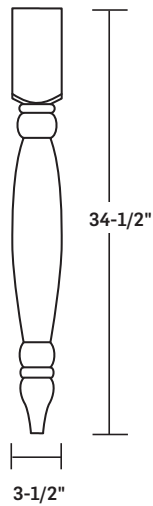


**BASE FLUTED LEG**

- Maple is used when ordering birch door styles. Cherry is used when ordering rustic alder door styles.
- 2-1/2" x 2-1/2" thick
- Available in glaze finishes

BFL34

PAPER WRAPPED
ALDER
BIRCH
CHERRY
LAMINATE
MAPLE
OAK

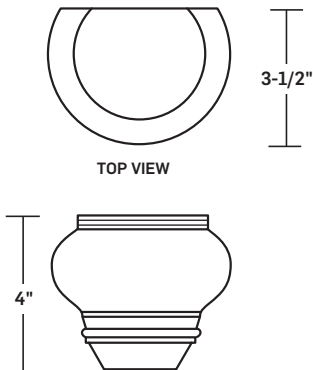


**BASE TURNED LEG**

- Maple is used when ordering birch door styles. Cherry is used when ordering rustic alder door styles.
- 34 1/2" high, trimmable to 28 1/2" high
- 3 1/2" x 3 1/2" square
- Available in glaze finishes

BTL34

PAPER WRAPPED
ALDER
BIRCH
CHERRY
LAMINATE
MAPLE
OAK

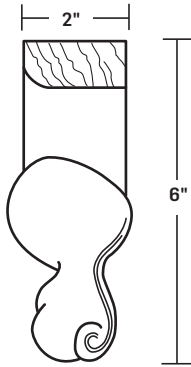


**ACCENT TURNED LEG**

- Maple is used when ordering birch door styles. Cherry is used when ordering rustic alder door styles.
- Designed as Toe Kick accent
- Trimmable
- Available in glaze finishes

ATL

PAPER WRAPPED
ALDER
BIRCH
CHERRY
LAMINATE
MAPLE
OAK

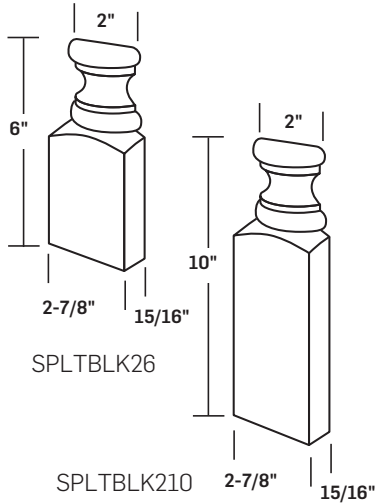


**FRENCH CARVED LEG**

- Maple is used when ordering birch door styles. Cherry is used when ordering rustic alder door styles.
- Trimmable
- Available in glaze finishes

FCL6

PAPER WRAPPED
ALDER
BIRCH
CHERRY
LAMINATE
MAPLE
OAK



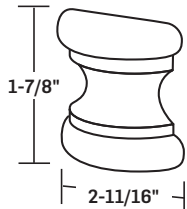
**SPLIT BLOCKS**

- Maple is used when ordering birch door styles. Cherry is used when ordering rustic alder door styles.
- 15/16" thick
- Available in glaze finishes
- For use with SPLT80F or SPLT80P (see page 161)

SPLTBLK26

SPLTBLK210

PAPER WRAPPED
ALDER
BIRCH
CHERRY
LAMINATE
MAPLE
OAK

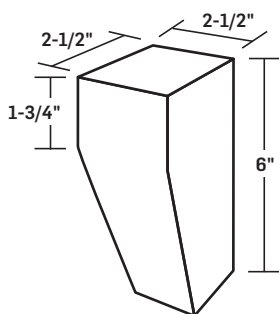


**SPLIT COLLAR**

- Maple is used when ordering birch door styles. Cherry is used when ordering rustic alder door styles.
- 3/4" thick
- Available in glaze finishes
- For use with SPLT80F or SPLT80P (see page 161)

SPLTCLR

PAPER WRAPPED
ALDER
BIRCH
CHERRY
LAMINATE
MAPLE
OAK

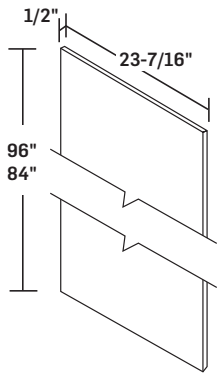


**TAPERED SHAKER LEG**

- Maple is used when ordering birch door styles. Cherry is used when ordering rustic alder door styles.
- Trimmable

TPL

PAPER WRAPPED
ALDER
BIRCH
CHERRY
LAMINATE
MAPLE
OAK

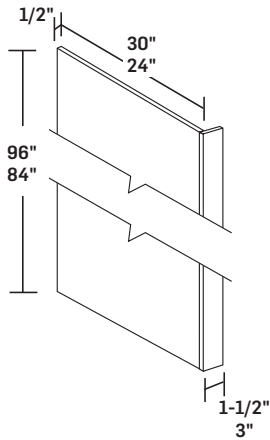


**96" AND 84" HIGH UTILITY FRONT RETURNS**

- Laminate on composite panel for Premier construction
- Birch veneer plywood for AllWood construction
- No holes bored for shelf clips
- Finished on both faces; edges not finished

**96" High**  
UCFRx96

**84" High**  
UCFR

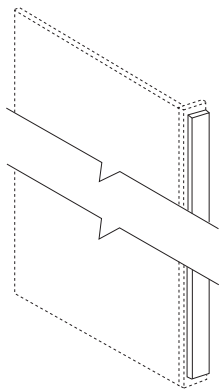


**96" or 84" HIGH REFRIGERATOR END PANEL**

- Laminate on composite panel for Premier construction
- Birch veneer plywood for AllWood construction
- Reversible

**NEW** **96" High**  
**NEW** REP1.5x96x30 (30 deep)  
 REPx96x30 (30 deep)  
 REP1.5x96  
 REPx96

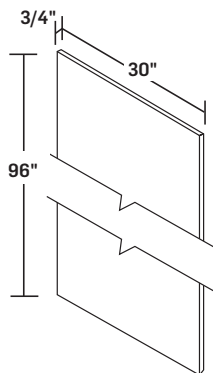
**NEW** **84" High**  
**NEW** REP1.5x30 (30 deep)  
 REPx30 (30 deep)  
 REP1.5  
 REP



**REFRIGERATOR END PANEL OVERLAYS**

- Full Overlay styles only
- Overlay is shipped loose for field installation
- This product designed to be used with REP and REPx96

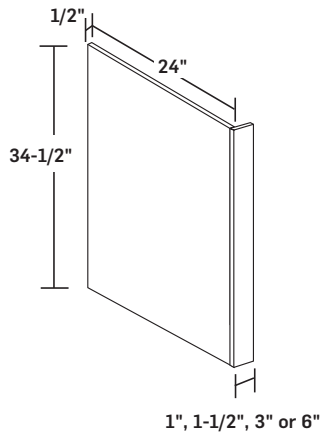
OREPx96      2-1/2" w x 95" h  
 OREPx90      2-1/2" w x 89" h  
 OREP          2-1/2" w x 83" h



**UNIVERSAL REFRIGERATOR END PANEL**

- Available in oak, maple, cherry veneer or white laminate exterior on composite panel
- Trimmable height and depth
- Side edges are edge banded with matching wood veneer or white laminate
- Finished and edge banded on all sides

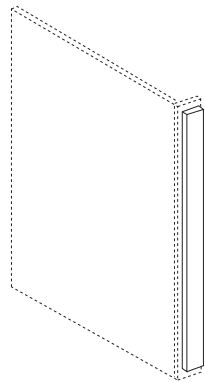
UREP



### DISHWASHER END PANELS

- Laminate on composite panel for Premier construction
- Birch veneer plywood for AllWood construction
- Reversible

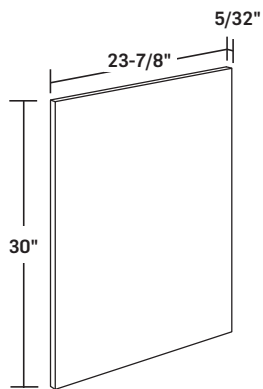
DWR1  
DWR1.5  
DWR3  
DWR6



### DISHWASHER END PANEL OVERLAY

- Full Overlay styles only
- Overlay is shipped loose for field installation
- Order DWR3 as backplate to filler overlay

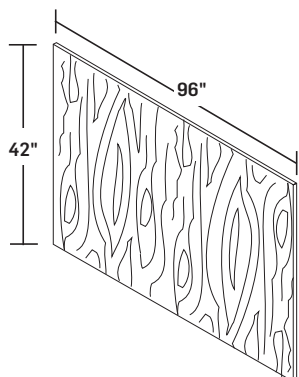
ODWR3      2-1/2" w x 33-1/2" h



### DISHWASHER INSERT PANEL

- Available in oak, maple, and cherry veneer plywood (long grained) that is 5/32" thick

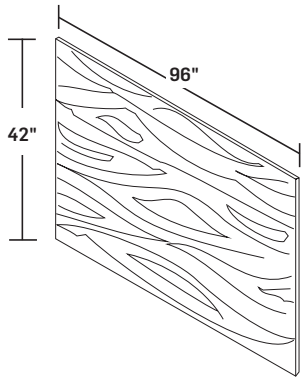
DIP



### 42" HIGH x 96" WIDE SHORT-GRAIN PANEL

- Available in oak, maple, and cherry veneer (short grained) or white laminate
- 1/4" thick

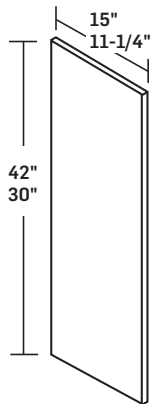
PLYS42X96



**96" HIGH x 42" WIDE LONG-GRAIN PANEL**

- Available in oak, maple, and cherry veneer (long grained) or white laminate
- 1/4" thick

PLYL42X96



**42" and 30" HIGH WALL CABINET END SKINS**

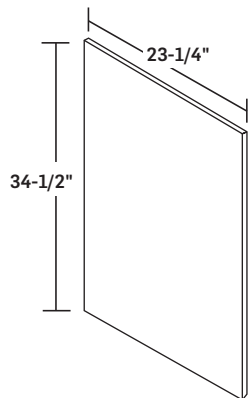
- VWES are available in oak, maple, or cherry veneer plywood that are 5/32" thick
- LWES are available in laminate on composite panel that is .10" thick

**42" High**

VWESx42  
VWES15x42  
LWESx42  
LWES15x42

**30" High**

VWES  
VWES15  
LWES  
LWES15

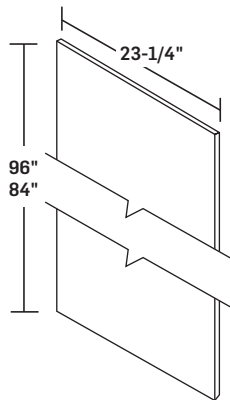


**BASE CABINET END SKINS**

- VBES are available in oak, maple, or cherry veneer plywood that are 5/32" thick
- LBES are available in laminate on composite panel that are .10" thick

VBES

LBES



**96" and 84" HIGH TALL CABINET END SKINS**

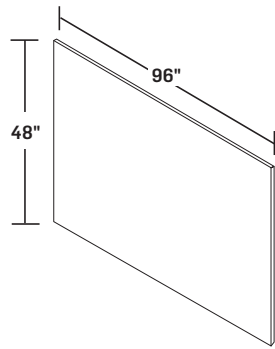
- VOVES are available in oak, maple or cherry veneer plywood that is 5/32" thick
- LTES are available in laminate on composite panel that are .10" thick

**96" High**

VOVESx96  
LTESx96

**84" High**

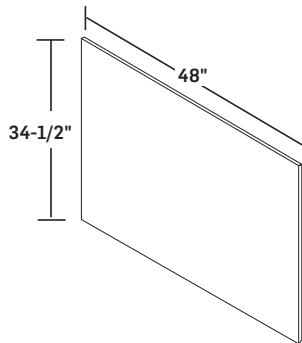
VOVES  
LTES



**FINISHED SKIN**

- Laminated finished skin
- .10" thick

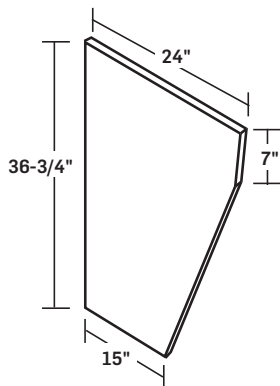
FS4x8



**PENINSULA BASE CABINET BACK PANEL**

- Available in oak, maple, or cherry veneer plywood or white laminate (short grained)
- 5/32" thick

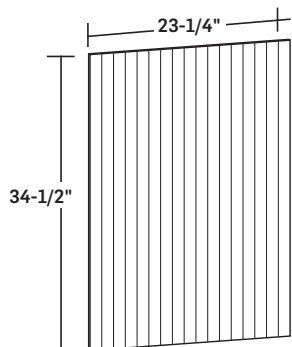
PBP



**DESK END PANEL**

- Available in oak, maple, or cherry veneer
- 1/2" thick
- Trimmable height and depth

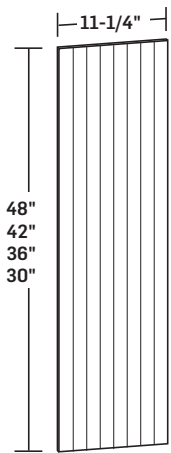
DEP24



**BASE GROOVED END PANEL**

- Maple or cherry veneer plywood 5/32" thick
- Maple is used when ordering birch door styles. Cherry is used when ordering rustic alder door styles.
- Glaze finish available
- Grooved 1-1/2" on center

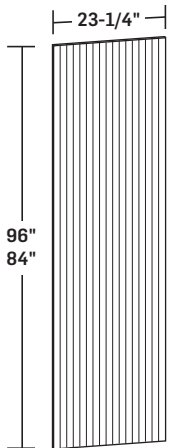
BGE34



**WALL GROOVED END PANELS**

- Maple or cherry veneer plywood 5/32" thick
- Maple is used when ordering birch door styles. Cherry is used when ordering rustic alder door styles.
- Glaze finish available
- Grooved 1-1/2" on center

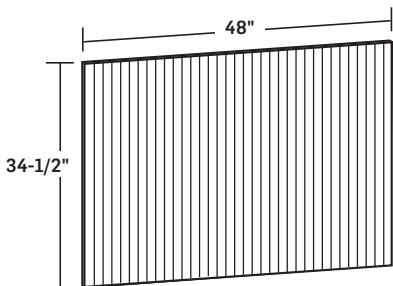
WGE30  
WGE36  
WGE42  
WGE48



**TALL GROOVED END PANELS**

- Maple or cherry veneer plywood 5/32" thick
- Maple is used when ordering birch door styles. Cherry is used when ordering rustic alder door styles.
- Glaze finish available
- Grooved 1-1/2" on center

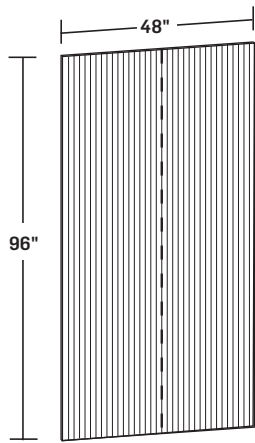
TGE84  
TGE96



**GROOVED PANELING**

- Maple or cherry veneer plywood 5/32" thick
- Maple is used when ordering birch door styles. Cherry is used when ordering rustic alder door styles.
- Glaze finish available
- Grooved 1-1/2" on center
- **GP9634 is 2 pieces of 48 x 34-1/2" paneling**

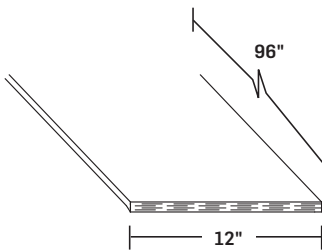
GP4834  
GP9634



### 48" x 96" GROOVED PANELING

- Maple or cherry veneer plywood 5/32" thick
- Maple is used when ordering birch door styles. Cherry is used when ordering rustic alder door styles.
- **Comes as two 24" x 96" panels**
- Glaze finish available
- Grooved 1-1/2" on center

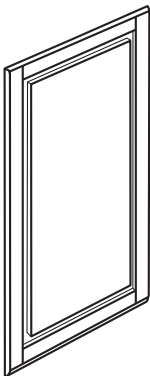
GP4896



### FINISHED PLYWOOD SHELF

- 5/8" thick plywood shelf
- Wood and finish to match cabinet face
- Edge banded on front
- Available in AllWood construction only
- Shipped loose

FPS12X96



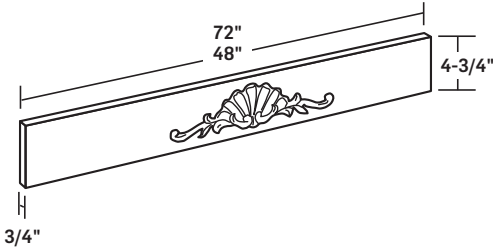
### DOORS AS PANELS

- All doors can be ordered with no hinge bore
- Order as "DOOR.ONLY"
- Refer to end of each section for door size formulas
- **NOTE: Found under Accessories in 20-20**

DOOR.ONLY



**APPLIQUE VALANCES**

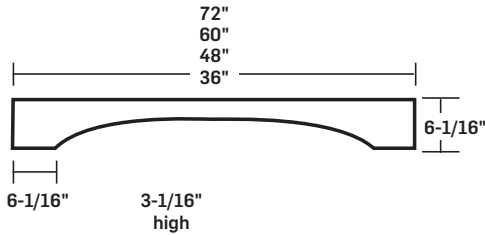


- Maple is used when ordering birch door styles.
- Applique is 16-11/32" wide x 4-13/32" high
- Trimmable 3" each side

APVAL48  
APVAL72

PAPER WRAPPED
ALDER
BIRCH
CHERRY
LAMINATE
MAPLE
OAK

**ARCHED VALANCES**

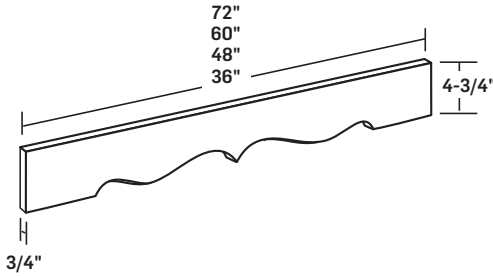


- Maple is used when ordering birch door styles.
- Trimmable 3" each side

ARVAL36  
ARVAL48  
ARVAL60  
ARVAL72

PAPER WRAPPED
ALDER
BIRCH
CHERRY
LAMINATE
MAPLE
OAK

**COLONIAL VALANCES**

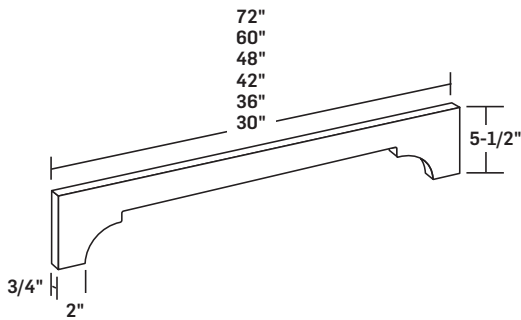


- Maple is used when ordering birch door styles.
- Trimmable 3" each side

COVAL36  
COVAL48  
COVAL60  
COVAL72

PAPER WRAPPED
ALDER
BIRCH
CHERRY
LAMINATE
MAPLE
OAK

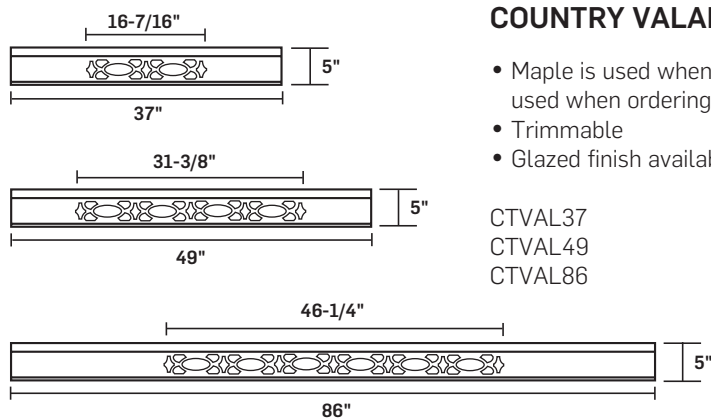
**CROWN VALANCES**



- Maple is used when ordering birch door styles.
- Non-trimmable

CRVAL30  
CRVAL36  
CRVAL42  
CRVAL48  
CRVAL60  
CRVAL72

PAPER WRAPPED
ALDER
BIRCH
CHERRY
LAMINATE
MAPLE
OAK

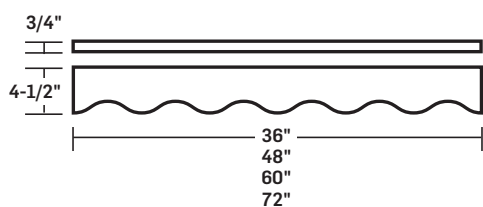


**COUNTRY VALANCES**

- Maple is used when ordering birch door styles. Cherry is used when ordering rustic alder door styles.
- Trimmable
- Glazed finish available

CTVAL37  
CTVAL49  
CTVAL86

PAPER WRAPPED
ALDER
BIRCH
CHERRY
LAMINATE
MAPLE
OAK

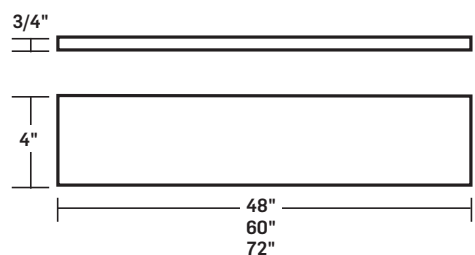


**SCALLOPED VALANCES**

- Maple is used when ordering birch door styles. Cherry is used when ordering rustic alder door styles.
- Trimmable
- Standard Reveal styles

SCVAL36  
SCVAL48  
SCVAL60  
SCVAL72

PAPER WRAPPED
ALDER
BIRCH
CHERRY
LAMINATE
MAPLE
OAK

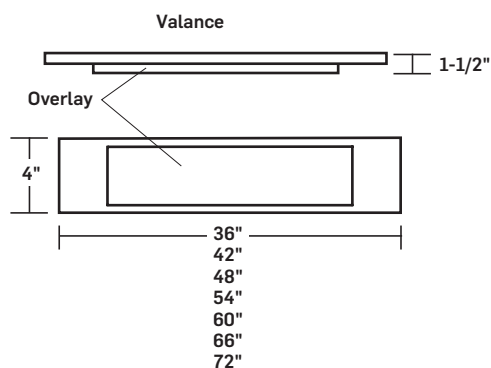


**STRAIGHT VALANCES**

- Maple is used when ordering birch door styles. Cherry is used when ordering rustic alder door styles.
- Trimmable
- Valance onlays available on pages M4, M8 and M10
- Valance overlay has same outside edge profile as door style ordered

STVAL48  
STVAL60  
STVAL72

PAPER WRAPPED
ALDER
BIRCH
CHERRY
LAMINATE
MAPLE
OAK

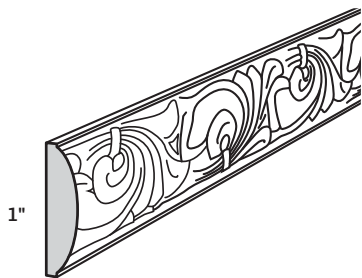


**STRAIGHT VALANCE OVERLAYS**

- Maple is used when ordering birch door styles. Cherry is used when ordering rustic alder door styles.
- Overlays are 6-1/4" shorter than valance to allow for 3" each end trimmable
- Full Overlay door styles only

OVAL36  
OVAL42  
OVAL48  
OVAL54  
OVAL60  
OVAL66  
OVAL72

PAPER WRAPPED
ALDER
BIRCH
CHERRY
LAMINATE
MAPLE
OAK

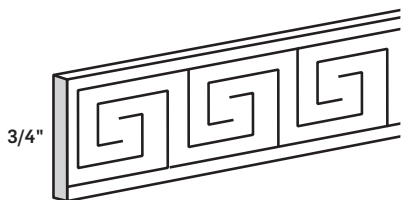


**ACANTHUS INSERT MOLDING**

- Maple is used when ordering birch door styles. Cherry is used when ordering rustic alder door styles.
- Molding is 1/4" thick x 8' long
- May be used with Royal Crown Molding (see page 181)
- Glaze finish available

AS18

PAPER WRAPPED
ALDER
BIRCH
CHERRY
LAMINATE
MAPLE
OAK

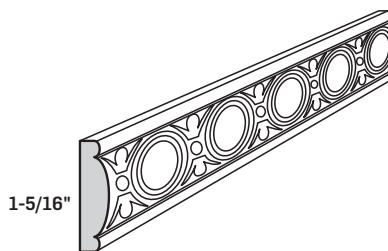


**AZTEC INSERT MOLDING**

- Maple is used when ordering birch door styles. Cherry is used when ordering rustic alder door styles.
- Molding is 1/4" thick x 8' long
- May be used with Royal Crown Molding (see page 181)
- Glaze finish available

AZE8

PAPER WRAPPED
ALDER
BIRCH
CHERRY
LAMINATE
MAPLE
OAK

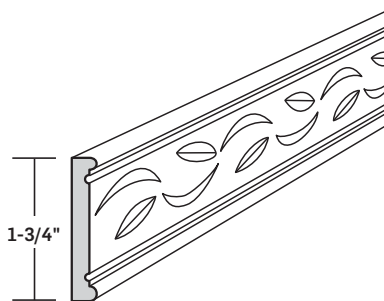


**EGG AND DART INSERT MOLDING**

- Maple is used when ordering birch door styles. Cherry is used when ordering rustic alder door styles.
- Molding is 3/8" thick x 8' long
- May be used with Royal Crown Molding (see page 181)
- Glaze finish available

ED8

PAPER WRAPPED
ALDER
BIRCH
CHERRY
LAMINATE
MAPLE
OAK

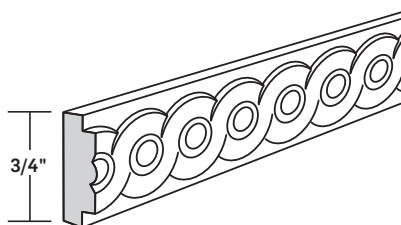


**IVY MOLDING**

- Maple is used when ordering birch door styles. Cherry is used when ordering rustic alder door styles.
- Molding is 5/16" thick x 8' long
- Glaze finish available

IV8

PAPER WRAPPED
ALDER
BIRCH
CHERRY
LAMINATE
MAPLE
OAK



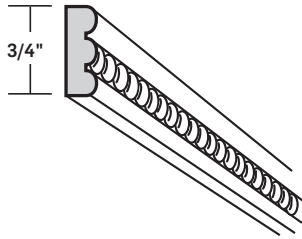
**SWIRL INSERT MOLDING**

- Maple is used when ordering birch door styles. Cherry is used when ordering rustic alder door styles.
- Molding is 1/4" thick x 8' long
- May be used with Royal Crown Molding (see page 181)
- Glaze finish available

SW18

PAPER WRAPPED
ALDER
BIRCH
CHERRY
LAMINATE
MAPLE
OAK

**CENTER BEADED INSERT MOLDING**

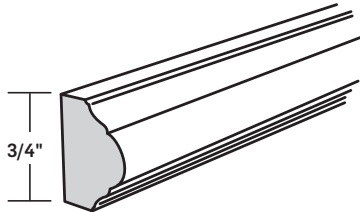


- Maple is used when ordering birch door styles. Cherry is used when ordering rustic alder door styles.
- Molding is 1/4" thick x 8' long
- May be used with Royal Crown Molding (see page 181)
- Glaze finish available

CB8

PAPER WRAPPED
ALDER
BIRCH
CHERRY
LAMINATE
MAPLE
OAK

**COLONIAL INSERT MOLDING**

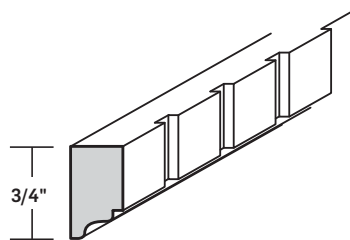


- Maple is used when ordering birch door styles. Cherry is used when ordering rustic alder door styles.
- Molding is 1/2" thick x 8' long
- May be used with Royal Crown Molding (see page 181)
- Glaze finish available

COI8

PAPER WRAPPED
ALDER
BIRCH
CHERRY
LAMINATE
MAPLE
OAK

**DENTIL MOLDING**

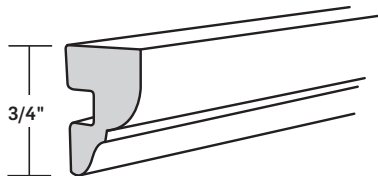


- Maple is used when ordering birch door styles. Cherry is used when ordering rustic alder door styles.
- Molding is 1/2" thick x 8' long
- May be used with Royal Crown Molding (see page 181)
- One piece per poly bag
- Glaze finish available

DNT1S

PAPER WRAPPED
ALDER
BIRCH
CHERRY
LAMINATE
MAPLE
OAK

**OGEE INSERT MOLDING**



- Maple is used when ordering birch door styles. Cherry is used when ordering rustic alder door styles.
- Molding is 1/2" thick x 8' long
- May be used with Royal Crown Molding (see page 181)
- Glaze finish available

OGI8

PAPER WRAPPED
ALDER
BIRCH
CHERRY
LAMINATE
MAPLE
OAK

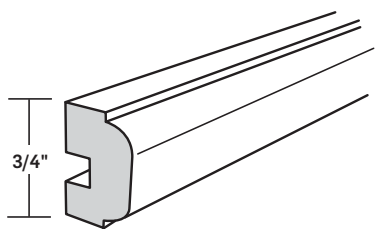
**ROPE MOLDING**



- Maple is used when ordering birch door styles. Cherry is used when ordering rustic alder door styles.
- Molding is 3/4" thick x 8' long
- May be used with Royal Crown Molding (see page 181)
- One piece per poly bag
- Glaze finish available

RP1S

PAPER WRAPPED
ALDER
BIRCH
CHERRY
LAMINATE
MAPLE
OAK

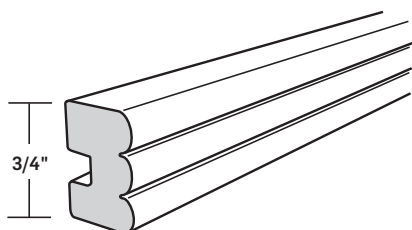


## SINGLE BEAD INSERT MOLDING

- Maple is used when ordering birch door styles. Cherry is used when ordering rustic alder door styles.
- Molding is 1/2" thick x 8' long
- May be used with Royal Crown Molding (see page 181)
- Glaze finish available

SBI8

PAPER WRAPPED
ALDER
BIRCH
CHERRY
LAMINATE
MAPLE
OAK

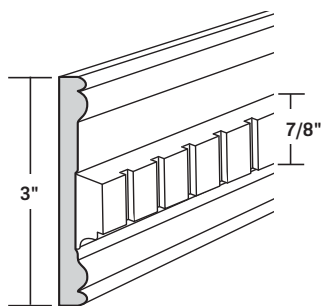


## TRIPLE BEAD INSERT MOLDING

- Maple is used when ordering birch door styles. Cherry is used when ordering rustic alder door styles.
- Molding is 1/2" thick x 8' long
- May be used with Royal Crown Molding (see page 181)
- Glaze finish available

TBI8

PAPER WRAPPED
ALDER
BIRCH
CHERRY
LAMINATE
MAPLE
OAK

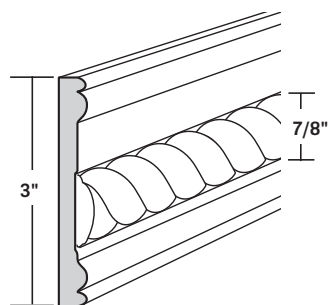


## DENTIL INLAY MOLDING

- Maple is used when ordering birch door styles. Cherry is used when ordering rustic alder door styles.
- Molding is 3/8" thick x 8' long
- 7/8" thick Dentil Molding is premounted on face for additional accent
- Glaze finish available

DIM8

PAPER WRAPPED
ALDER
BIRCH
CHERRY
LAMINATE
MAPLE
OAK

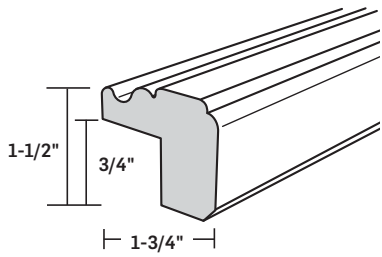


## ROPE INLAY MOLDING

- Maple is used when ordering birch door styles. Cherry is used when ordering rustic alder door styles.
- Molding is 3/8" thick x 8' long
- 7/8" thick Rope Molding is premounted on face for additional accent
- Glaze finish available

RIM8

PAPER WRAPPED
ALDER
BIRCH
CHERRY
LAMINATE
MAPLE
OAK

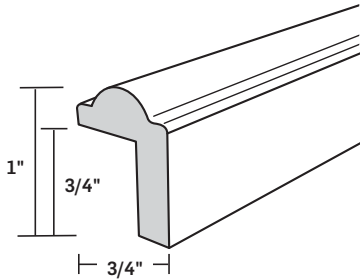


**COLONIAL ACCENT MOLDING**

- Maple is used when ordering birch door styles. Cherry is used when ordering rustic alder door styles.
- Molding is 1-3/4" thick x 8' long
- May be applied to inside frame of open cabinet
- Glaze finish available

COAM8

PAPER WRAPPED
ALDER
BIRCH
CHERRY
LAMINATE
MAPLE
OAK

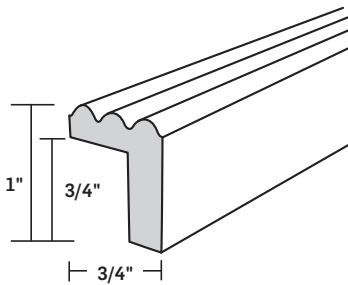


**SINGLE BEAD ACCENT MOLDING**

- Maple is used when ordering birch door styles. Cherry is used when ordering rustic alder door styles.
- Molding is 3/4" thick x 8' long
- May be applied to inside frame of open cabinet
- Glaze finish available

SBAM8

PAPER WRAPPED
ALDER
BIRCH
CHERRY
LAMINATE
MAPLE
OAK

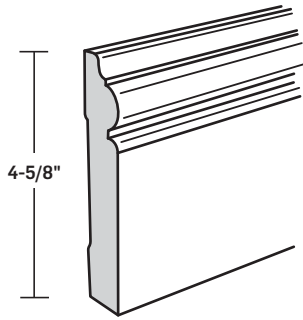


**TRIPLE BEAD ACCENT MOLDING**

- Maple is used when ordering birch door styles. Cherry is used when ordering rustic alder door styles.
- Molding is 3/4" thick x 8' long
- May be applied to inside frame of open cabinet
- Glaze finish available

TBAM8

PAPER WRAPPED
ALDER
BIRCH
CHERRY
LAMINATE
MAPLE
OAK

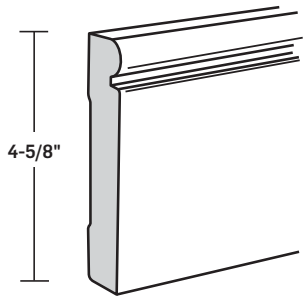


**ACANTHUS BASE MOLDING**

- Maple is used when ordering birch door styles. Cherry is used when ordering rustic alder door styles.
- Molding is 3/4" thick x 8' long
- Glaze finish available

ASB8

PAPER WRAPPED
ALDER
BIRCH
CHERRY
LAMINATE
MAPLE
OAK

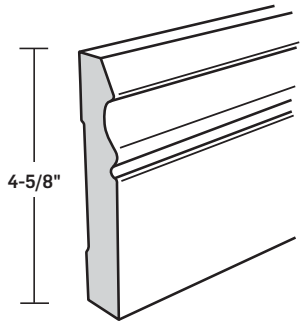


**BEADED BASE MOLDING**

- Maple is used when ordering birch door styles. Cherry is used when ordering rustic alder door styles.
- Molding is 3/4" thick x 8' long
- Glaze finish available

BDB8

PAPER WRAPPED
ALDER
BIRCH
CHERRY
LAMINATE
MAPLE
OAK

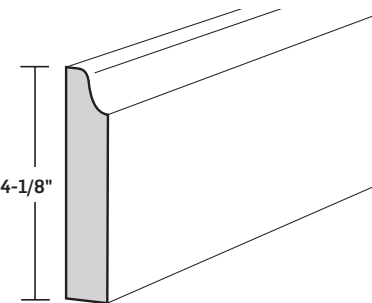


**COLONIAL BASE MOLDING**

- Maple is used when ordering birch door styles. Cherry is used when ordering rustic alder door styles.
- Molding is 3/4" thick x 8' long
- Glaze finish available

COB8

PAPER WRAPPED
ALDER
BIRCH
CHERRY
LAMINATE
MAPLE
OAK

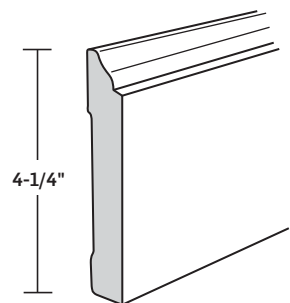


**FURNITURE BASE MOLDING**

- Maple is used when ordering birch door styles. Cherry is used when ordering rustic alder door styles.
- Molding is 3/4" thick x 8' long
- Not available in glaze finish

FBM8

PAPER WRAPPED
ALDER
BIRCH
CHERRY
LAMINATE
MAPLE
OAK

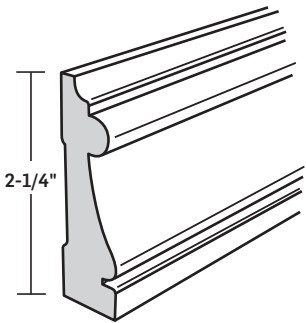


**FURNITURE OGEE MOLDING**

- Maple is used when ordering birch door styles. Cherry is used when ordering rustic alder door styles.
- Molding is 5/8" thick x 8' long
- Glaze finish available

OGB8

PAPER WRAPPED
ALDER
BIRCH
CHERRY
LAMINATE
MAPLE
OAK

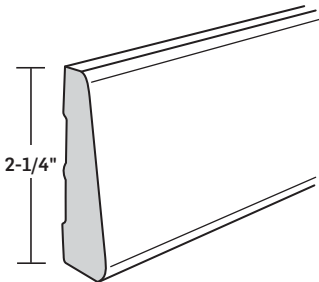


**ACANTHUS CASING MOLDING**

- Maple is used when ordering birch door styles. Cherry is used when ordering rustic alder door styles.
- Molding is 3/4" thick x 8' long
- Glaze finish available

ASC8

PAPER WRAPPED
ALDER
BIRCH
CHERRY
LAMINATE
MAPLE
OAK

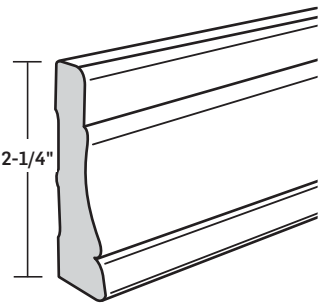


**CLAM SHELL CASING MOLDING**

- Maple is used when ordering birch door styles. Cherry is used when ordering rustic alder door styles.
- Molding is 5/8" thick x 8' long
- Glaze finish available

CSC8

PAPER WRAPPED
ALDER
BIRCH
CHERRY
LAMINATE
MAPLE
OAK



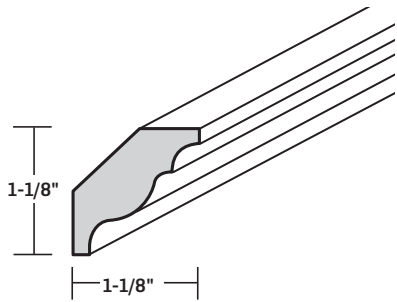
**COLONAIL CASING MOLDING**

- Maple is used when ordering birch door styles. Cherry is used when ordering rustic alder door styles.
- Molding is 5/8" thick x 8' long
- Glaze finish available

COC8

PAPER WRAPPED
ALDER
BIRCH
CHERRY
LAMINATE
MAPLE
OAK



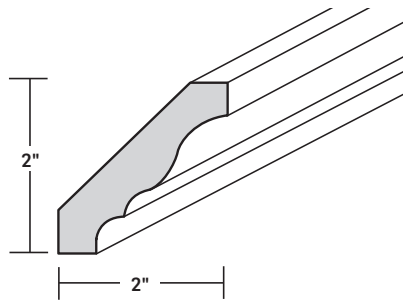


## 1-5/8" CROWN MOLDING

- P = Paper laminate on pine
- Molding is 1-1/8" thick x 8' long
- 20 pieces per carton
- Not available in white and enamel paint finishes

CRM1P  
CRM1P/20

■ PAPER WRAPPED
ALDER
BIRCH
CHERRY
LAMINATE
MAPLE
OAK



## 2-3/4" CROWN MOLDING

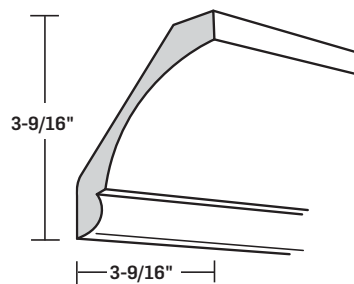
- S = Solid oak, maple, or cherry
- Maple is used when ordering birch door styles. Cherry is used when ordering rustic alder door styles.
- L = White laminate
- P = Paper laminate on pine. Not available in white and enamel paint finishes
- Molding is 2" thick x 8' long
- 10 piece per carton
- Glaze finish available on S = solid wood molding

CRM2S  
CRM2S/10

CRM2L  
CRM2L/10

CRM2P  
CRM2P/10

■ PAPER WRAPPED
ALDER
BIRCH
■ CHERRY
■ LAMINATE
■ MAPLE
■ OAK

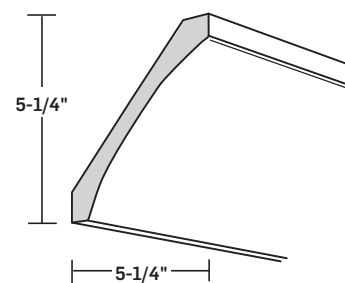


## LARGE BEADED COVE CROWN MOLDING

- Maple is used when ordering birch door styles. Cherry is used when ordering rustic alder door styles.
- Molding is 3-9/16" thick x 8' long
- Glaze finish available

LGBC8

PAPER WRAPPED
ALDER
BIRCH
■ CHERRY
LAMINATE
■ MAPLE
■ OAK

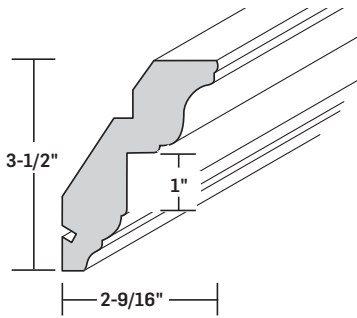


## LARGE COVE CROWN MOLDING

- Maple is used when ordering birch door styles. Cherry is used when ordering rustic alder door styles.
- Molding is 5-1/4" thick x 8' long

LGCC8

PAPER WRAPPED
ALDER
BIRCH
■ CHERRY
LAMINATE
■ MAPLE
■ OAK

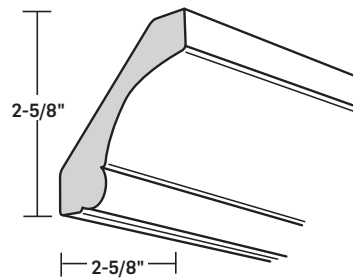


**ROYAL CROWN MOLDING**

- Maple is used when ordering birch door styles. Cherry is used when ordering rustic alder door styles.
- Molding is 2-9/16" thick x 8' long
- May be used with select other moldings for additional accent (see pages 174-176)
- Glaze finish available

RCM4S

PAPER WRAPPED
ALDER
BIRCH
CHERRY
LAMINATE
MAPLE
OAK

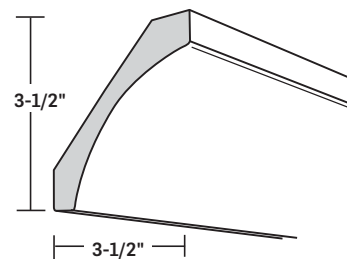


**SMALL BEADED COVE CROWN MOLDING**

- Maple is used when ordering birch door styles. Cherry is used when ordering rustic alder door styles.
- Molding is 2-5/8" thick x 8' long
- Glaze finish available

SMBC8

PAPER WRAPPED
ALDER
BIRCH
CHERRY
LAMINATE
MAPLE
OAK

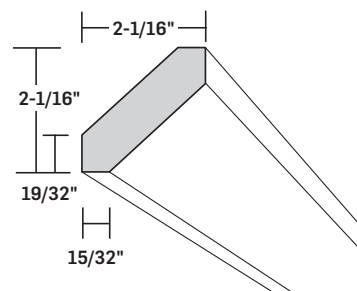


**SMALL COVE CROWN MOLDING**

- Maple is used when ordering birch door styles. Cherry is used when ordering rustic alder door styles.
- Molding is 3-1/2" thick x 8' long
- Glaze finish available

SMCC8

PAPER WRAPPED
ALDER
BIRCH
CHERRY
LAMINATE
MAPLE
OAK

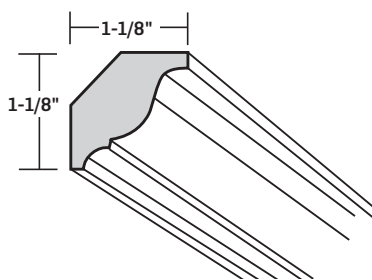


**SHAKER CROWN MOLDING**

- Maple is used when ordering birch door styles. Cherry is used when ordering rustic alder door styles.
- Molding is 3-1/2" thick x 8' long
- Not available in glaze finish

SHC8

PAPER WRAPPED
ALDER
BIRCH
CHERRY
LAMINATE
MAPLE
OAK

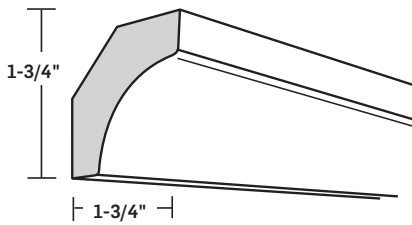


**SOFFIT CROWN MOLDING**

- Maple is used when ordering birch door styles. Cherry is used when ordering rustic alder door styles.
- Molding is 3-1/2" thick x 8' long
- Glaze finish available

SC8

PAPER WRAPPED
ALDER
BIRCH
CHERRY
LAMINATE
MAPLE
OAK

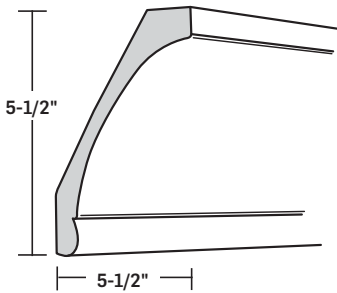


## SOFFIT COVE CROWN MOLDING

- Maple is used when ordering birch door styles. Cherry is used when ordering rustic alder door styles.
- Molding is 1-3/4" thick x 8' long

SFCC8

PAPER WRAPPED
ALDER
BIRCH
CHERRY
LAMINATE
MAPLE
OAK

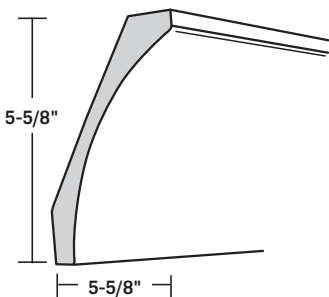


## X LARGE BEADED COVE CROWN MOLDING

- Maple is used when ordering birch door styles. Cherry is used when ordering rustic alder door styles.
- Molding is 5-1/2" thick x 8' long
- Glaze finish available

XLBC8

PAPER WRAPPED
ALDER
BIRCH
CHERRY
LAMINATE
MAPLE
OAK

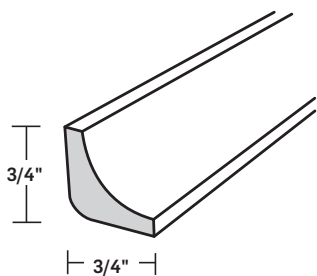


## X LARGE COVE CROWN MOLDING

- Maple is used when ordering birch door styles. Cherry is used when ordering rustic alder door styles.
- Molding is 5-5/8" thick x 8' long

XLCC8

PAPER WRAPPED
ALDER
BIRCH
CHERRY
LAMINATE
MAPLE
OAK

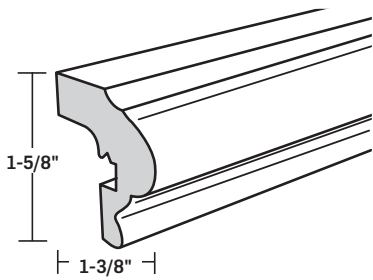


## COVE INSIDE CORNER MOLDING

- Maple is used when ordering birch door styles. Cherry is used when ordering rustic alder door styles.
- Molding is 3/4" thick x 8' long

CIC8

PAPER WRAPPED
ALDER
BIRCH
CHERRY
LAMINATE
MAPLE
OAK

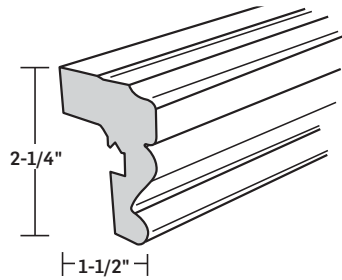


**ACANTHUS LIGHT RAIL MOLDING**

- Maple is used when ordering birch door styles. Cherry is used when ordering rustic alder door styles.
- Molding is 1-3/8" thick x 8' long
- Glaze finish available

ALR8

PAPER WRAPPED
ALDER
BIRCH
CHERRY
LAMINATE
MAPLE
OAK

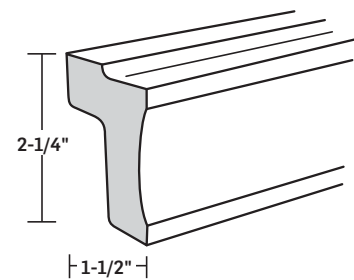


**COLONIAL LIGHT RAIL MOLDING**

- Maple is used when ordering birch door styles. Cherry is used when ordering rustic alder door styles.
- Molding is 1-1/2" thick x 8' long
- Glaze finish available

COLR8

PAPER WRAPPED
ALDER
BIRCH
CHERRY
LAMINATE
MAPLE
OAK

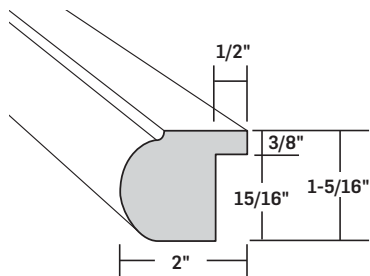


**COVE LIGHT RAIL MOLDING**

- Maple is used when ordering birch door styles. Cherry is used when ordering rustic alder door styles.
- Molding is 1-1/2" thick x 8' long
- Glaze finish available

CLR8

PAPER WRAPPED
ALDER
BIRCH
CHERRY
LAMINATE
MAPLE
OAK

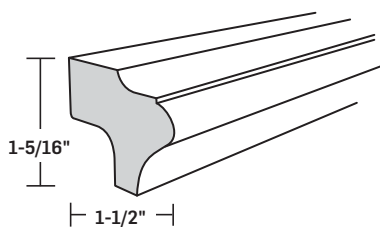


**LIGHT RAIL MOLDING**

- Maple is used when ordering birch door styles. Cherry is used when ordering rustic alder door styles.
- Molding is 2" thick x 8' long
- Not available in glaze finish

LR8

PAPER WRAPPED
ALDER
BIRCH
CHERRY
LAMINATE
MAPLE
OAK

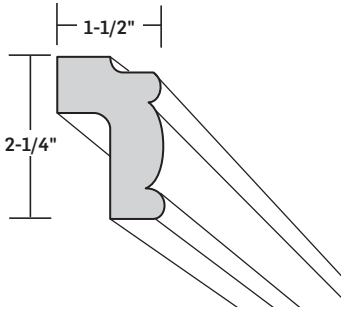


**LOW PROFILE ACANTHUS LIGHT RAIL MOLDING**

- Maple is used when ordering birch door styles. Cherry is used when ordering rustic alder door styles.
- Molding is 1-1/2" thick x 8' long
- Glaze finish available

LPLR8

PAPER WRAPPED
ALDER
BIRCH
CHERRY
LAMINATE
MAPLE
OAK

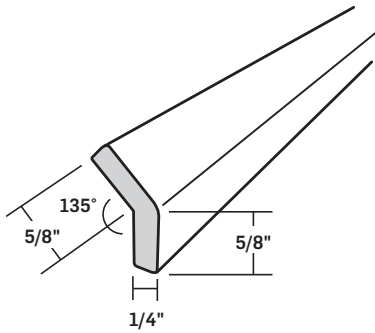


## TRADITIONAL LIGHT RAIL MOLDING

- Maple is used when ordering birch door styles. Cherry is used when ordering rustic alder door styles.
- Molding is 1-1/2" thick x 8' long
- Glaze finish available

TLR8

PAPER WRAPPED
ALDER
BIRCH
■ CHERRY
LAMINATE
■ MAPLE
OAK

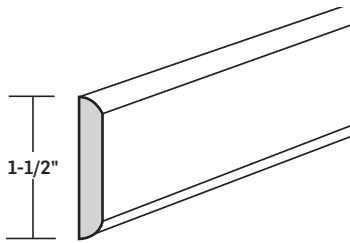


**ANGLED OUTSIDE CORNER MOLDING**

- Maple is used when ordering birch door styles. Cherry is used when ordering rustic alder door styles.
- Molding is 1/4" thick x 8' long
- Glaze finish available

AOSC8

PAPER WRAPPED
ALDER
BIRCH
CHERRY
LAMINATE
MAPLE
OAK

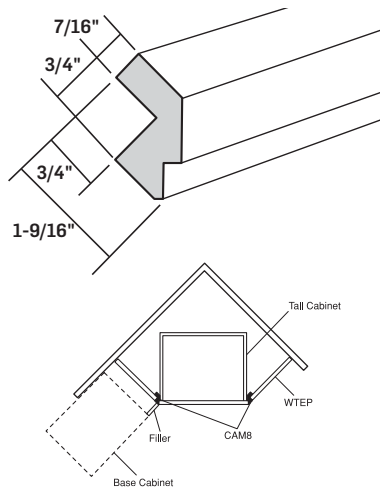


**BATTEN MOLDING**

- Maple is used when ordering birch door styles. Cherry is used when ordering rustic alder door styles.
- Molding is 1/4" thick x 8' long
- 50 pieces per carton
- Not available in glaze finish

BAT1S  
BAT1S/50

PAPER WRAPPED
ALDER
BIRCH
CHERRY
LAMINATE
MAPLE
OAK

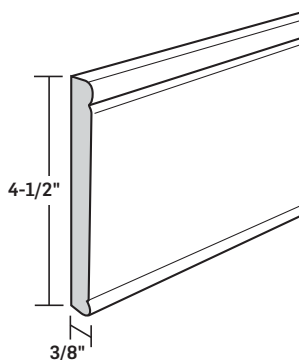


**CABINET ANGLE MOLDING**

- Maple is used when ordering birch door styles. Cherry is used when ordering rustic alder door styles.
- Molding is 8' long
- Used in corner application to place cabinet at 45 angle
- Not available in glaze finish

CA8

PAPER WRAPPED
ALDER
BIRCH
CHERRY
LAMINATE
MAPLE
OAK

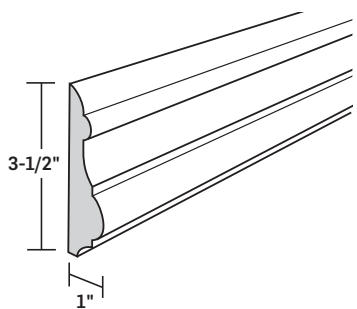


**CHAIR RAIL BACKER**

- Maple is used when ordering birch door styles
- Can be used alone or with CHR8S (see page 186)
- Glaze finish available

CHB8S

PAPER WRAPPED
ALDER
BIRCH
CHERRY
LAMINATE
MAPLE
OAK

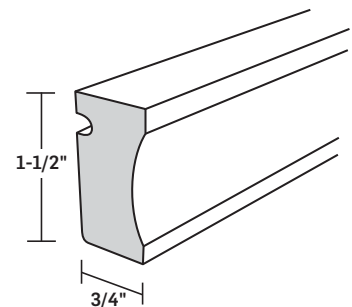


**CHAIR RAIL MOLDING**

- Maple is used when ordering birch door styles.
- Can be used alone or with CHB8S (see page 185)
- Glaze finish available

CHR8S

PAPER WRAPPED
ALDER
BIRCH
CHERRY
LAMINATE
MAPLE
OAK

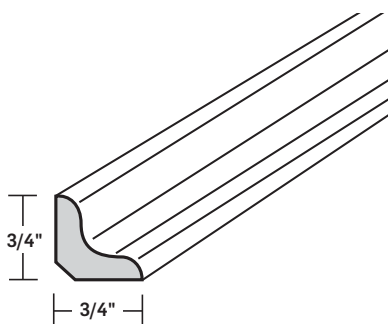


**COVE WOOD EDGE COUNTERTOP MOLDING**

- Maple is used when ordering birch door styles. Cherry is used when ordering rustic alder door styles.
- Molding is 3/4" thick x 8' long
- Glaze finish available

CWE8

PAPER WRAPPED
ALDER
BIRCH
CHERRY
LAMINATE
MAPLE
OAK



**INSIDE CORNER MOLDING**

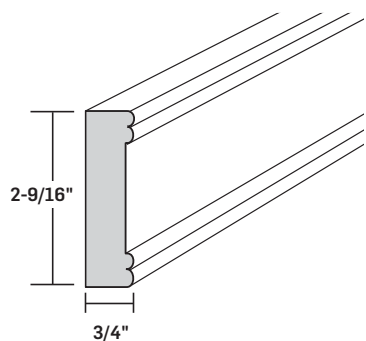
- S = Solid oak, maple, or cherry
- Maple is used when ordering birch door styles. Cherry is used when ordering rustic alder door styles.
- L = White vinyl laminate
- P = Paper laminate on pine exterior finish. Not available in white or enamel paint finishes
- Molding is 3/4" thick x 8' long
- 50 pieces per carton
- Not available in glaze finish

ICM1S  
ICM1S/50

ICM1P  
ICM1P/50

ICM1L  
ICM1L/50

PAPER WRAPPED
ALDER
BIRCH
CHERRY
LAMINATE
MAPLE
OAK

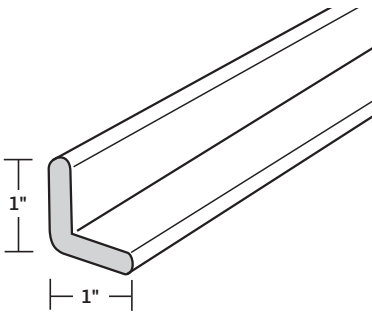


**LIBRARY MOLDING**

- Maple is used when ordering birch door styles. Cherry is used when ordering rustic alder door styles.
- Molding is 3/4" thick x 8' long
- May be used with Egg & Dart Inset Molding for additional accent
- Glaze finish available

LM8

PAPER WRAPPED
ALDER
BIRCH
CHERRY
LAMINATE
MAPLE
OAK

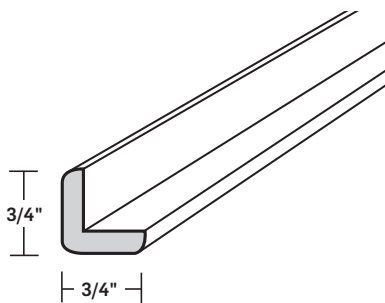


**LARGE OUTSIDE CORNER MOLDING**

- Maple is used when ordering birch door styles. Cherry is used when ordering rustic alder door styles.
- Not available in glaze finish

LOCM8S

PAPER WRAPPED
ALDER
BIRCH
CHERRY
LAMINATE
MAPLE
OAK



**OUTSIDE CORNER MOLDING**

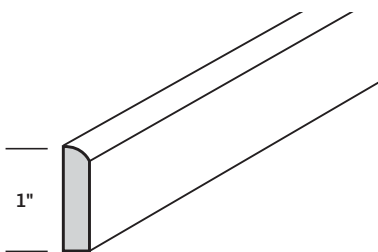
- S = Solid oak, maple, or cherry
- Maple is used when ordering birch door styles. Cherry is used when ordering rustic alder door styles.
- L = White vinyl laminate
- P = Paper laminate on pine exterior finish. Not available in white or enamel paint finishes
- Molding is 3/4" thick x 8' long
- 50 pieces per carton
- Not available in glaze finish

OCM1S  
OCM1S/50

OCM1P  
OCM1P/50

OCM1L  
OCM1L/50

PAPER WRAPPED
ALDER
BIRCH
CHERRY
LAMINATE
MAPLE
OAK



**1" SCRIBE MOLDING**

- S = Solid oak, maple, or cherry
- Maple is used when ordering birch door styles. Cherry is used when ordering rustic alder door styles.
- L = White vinyl laminate
- P = Paper laminate on pine exterior finish. Not available in white or enamel paint finishes
- Molding is 1/4" thick x 8' long
- 50 pieces per carton
- Not available in glaze finish

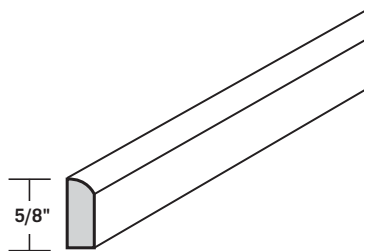
SCM1S  
SCM1S/50

SCM1P  
SCM1P/50

SCM1L  
SCM1L/50

PAPER WRAPPED
ALDER
BIRCH
CHERRY
LAMINATE
MAPLE
OAK





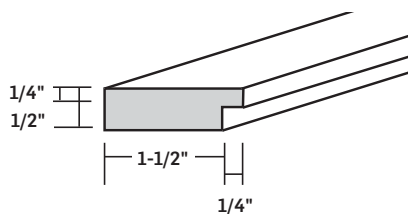
### 5/8" SCRIBE MOLDING

- L = White vinyl laminate
- P = Paper laminate on pine exterior finish. Not available in white or enamel paint finishes
- Molding is 1/4" thick x 8' long
- 50 pieces per carton
- Not available in glaze finish

SCM0P  
SCM0P/50

SCM0L  
SCM0L/50

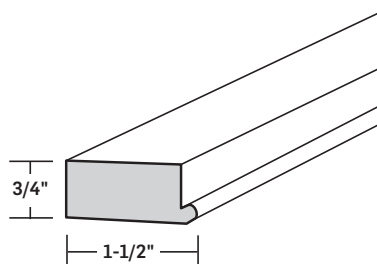
■ PAPER WRAPPED
ALDER
BIRCH
CHERRY
■ LAMINATE
MAPLE
OAK



### SPLINE RETURN

- Molding is 1/2" thick x 8' long
- Use with Top Edge Traditional Crown Molding for top or bottom mount application to face frame
- **Unfinished**
- 50 pieces per carton

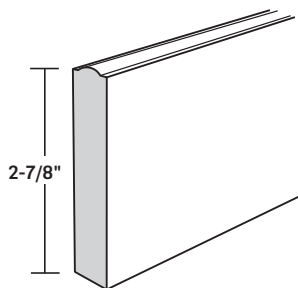
SR10X  
SR10X/50



### SPLINE RETURN

- Maple is used when ordering birch door styles. Cherry is used when ordering rustic alder door styles.
- Molding is 3/4" thick x 8' long
- Used with Royal Crown Molding for top mount application to face frame
- **Unfinished**

SRRCM4XX

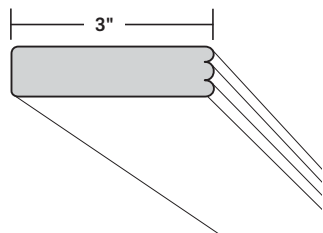


### STARTER TRIM MOLDING

- Maple is used when ordering birch door styles. Cherry is used when ordering rustic alder door styles.
- Molding is 1/2" thick x 8' long
- Beaded front edge
- Can be used as pallister or decorative filler
- Glaze finish available

STM8

PAPER WRAPPED
ALDER
BIRCH
■ CHERRY
LAMINATE
■ MAPLE
■ OAK

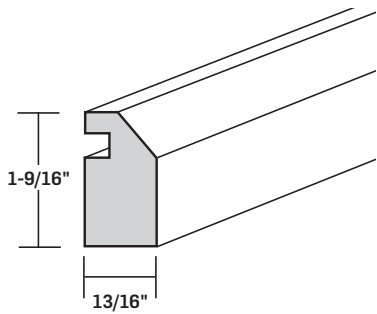


### TRIPLE BEAD MOLDING

- Maple is used when ordering birch door styles. Cherry is used when ordering rustic alder door styles.
- Molding is 3/4" thick x 8' long
- Glaze finish available

TB8

PAPER WRAPPED
ALDER
BIRCH
■ CHERRY
LAMINATE
■ MAPLE
OAK

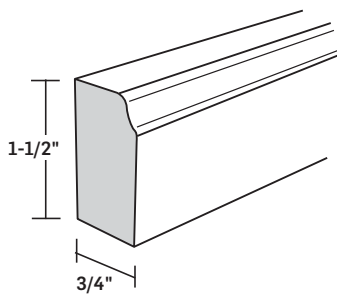


**TOP EDGE TRADITIONAL CROWN MOLDING**

- S = Solid oak, maple, or cherry
- Maple is used when ordering birch door styles. Cherry is used when ordering rustic alder door styles.
- Molding is 13/16" thick x 8' long
- 10 pieces per carton
- Not available in glaze finish

TCM1S  
TCM1S/10

■ PAPER WRAPPED
ALDER
BIRCH
■ CHERRY
LAMINATE
■ MAPLE
■ OAK

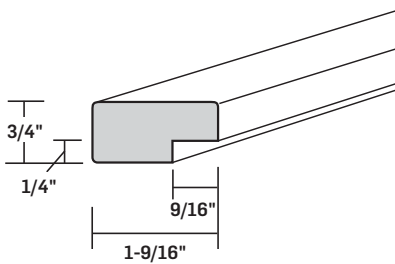


**TRADITIONAL WOOD EDGE COUNTERTOP MOLDING**

- Maple is used when ordering birch door styles. Cherry is used when ordering rustic alder door styles.
- Molding is 3/4" thick x 8' long

TWE8

PAPER WRAPPED
ALDER
BIRCH
■ CHERRY
LAMINATE
■ MAPLE
■ OAK

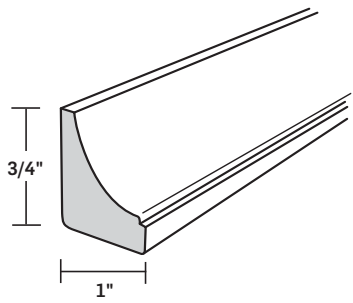


**UNIVERSAL TRIM PIECE**

- Solid oak, maple, cherry, or painted finish
- Maple is used when ordering birch door styles. Cherry is used when ordering rustic alder door styles.
- Molding is 5/8" thick x 8' long
- Use at cabinet top and bottom as a contemporary molding
- Use in conjunction with other moldings
- Use as shelf support/edge with our standard shelving
- Use as mirror molding
- All edges finished

UTP8S

PAPER WRAPPED
ALDER
BIRCH
■ CHERRY
LAMINATE
■ MAPLE
■ OAK

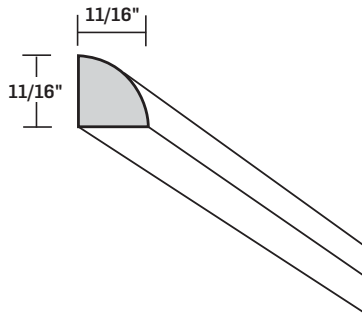


**COLONIAL SHOE MOLDING**

- Maple is used when ordering birch door styles. Cherry is used when ordering rustic alder door styles.
- Molding is 8' long

CSHM8

PAPER WRAPPED
ALDER
BIRCH
CHERRY
LAMINATE
MAPLE
OAK



**QUARTER ROUND**

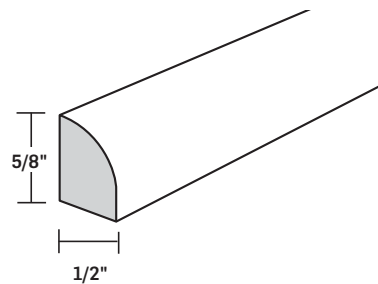
- Solid oak, maple, or cherry
- Maple is used when ordering birch door styles. Cherry is used when ordering rustic alder door styles.
- L = White vinyl laminate
- P = Paper laminate on pine exterior finish. Not available in white or enamel paint finishes
- Molding is 11/16" thick x 8' long
- Not available in glaze finish

QR8

QR8L

QR8P

PAPER WRAPPED
ALDER
BIRCH
CHERRY
LAMINATE
MAPLE
OAK

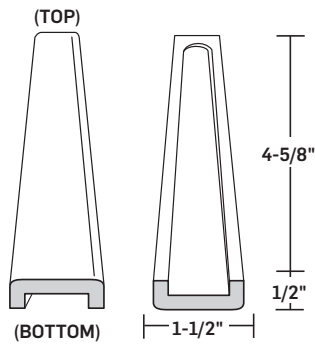


**SHOE MOLDING**

- Maple is used when ordering birch door styles. Cherry is used when ordering rustic alder door styles.
- Molding is 8' long

SHM8

PAPER WRAPPED
ALDER
BIRCH
CHERRY
LAMINATE
MAPLE
OAK

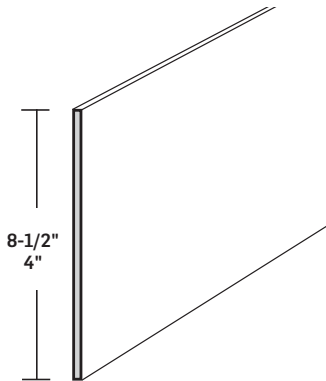


**TOE KICK CAP**

- Maple is used when ordering birch door styles. Cherry is used when ordering rustic alder door styles.
- Molding is 1/2" thick x 4-5/8" long
- Finish matches cabinet exterior
- Apply to end of cabinet run. Toe Kick Cap to cover unfinished toe kick cut
- Trimmable height
- Not available in glaze finish

PAPER WRAPPED
ALDER
BIRCH
CHERRY
LAMINATE
MAPLE
OAK

TKCAP



**TOE KICK MOLDING**

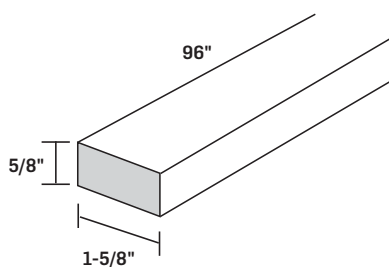
- S = 5/32" thick oak, maple, or cherry veneer plywood
- Maple is used when ordering birch door styles. Cherry is used when ordering rustic alder door styles.
- L = .10" thick white vinyl laminate
- P = .10" thick paper laminate. Not available in white or enamel paint finishes.
- Molding is 1/10" or 1/4" thick x 8' long
- 10 pieces per carton
- Not available in glaze finish

PAPER WRAPPED
ALDER
BIRCH
CHERRY
LAMINATE
MAPLE
OAK

TKS8S  
TKS8S/10  
TKS8x8S – (8-1/2" H.)

TKS8L  
TKS8L/10  
TKS8x8L – (8-1/2" H.)

TKS8P  
TKS8P/10  
TKS8x8P – (8-1/2" H.)

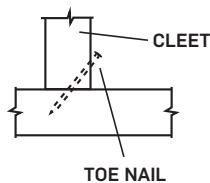


**CLEET**

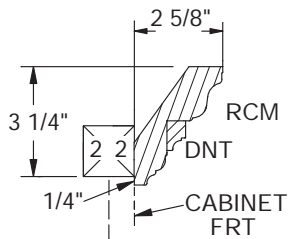
- Composite wood block can be fastened to a surface to serve as a check or support
- This composite block can be used to strengthen or support the surface to which it is attached and also serve as a sub-straight for objects to be fastened to
- Crystal maple laminate wrapped on two sides

PAPER WRAPPED
ALDER
BIRCH
CHERRY
LAMINATE
MAPLE
OAK

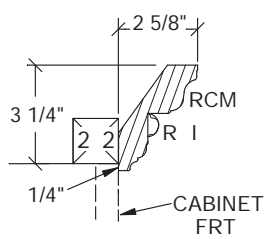
CLEET



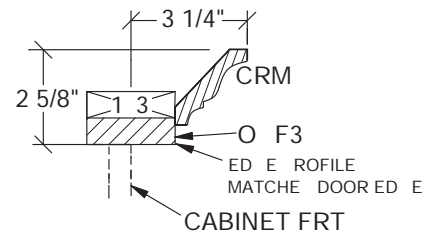
#C1: RCM - DNT



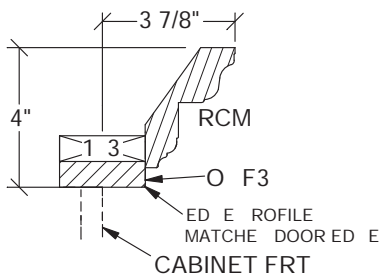
#C2: RCM - RPI



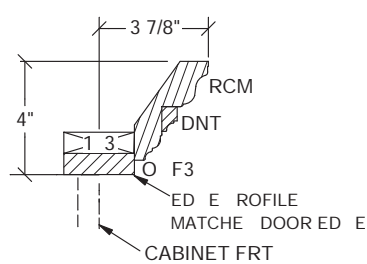
#C3: CRM - OUF3 (H)



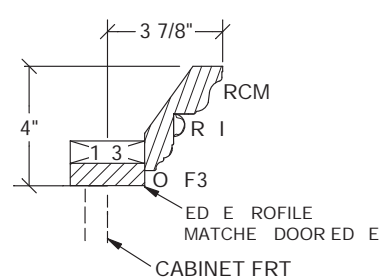
#C4: CRM - OUF3 (H)



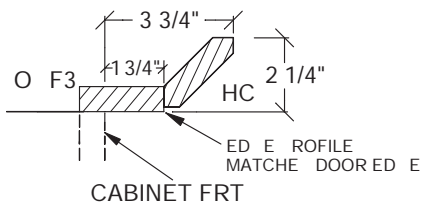
#C5: RCM - DNT - OUF3 (H)



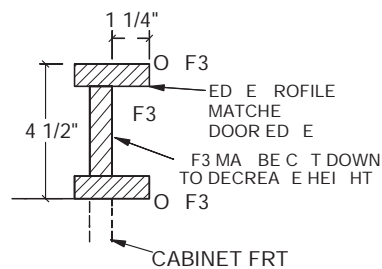
#C6: RCM - RPI - OUF3 (H)



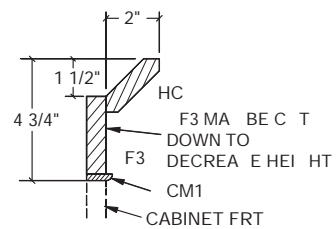
#C7: SHC - OUF3 (H)



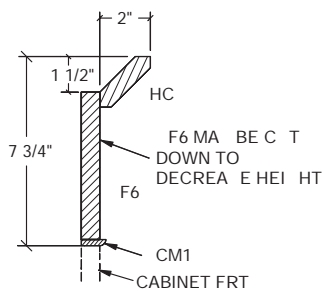
#C8: OUF3 - UF3 - OUF3



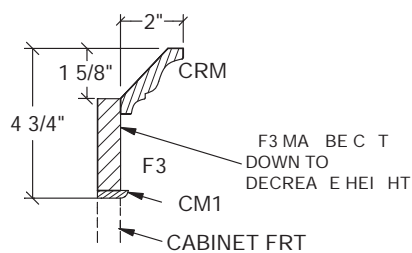
#C9: SHC - UF3 - SCM



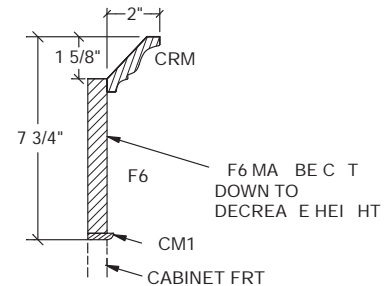
#C10: SHC - UF6 - SCM



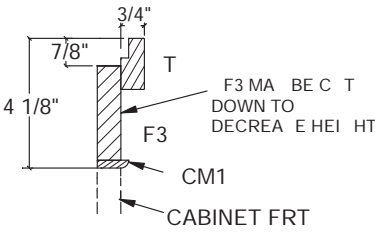
#C11: CRM - UF3 - SCM



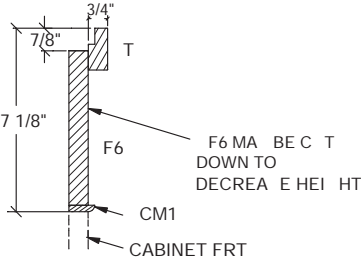
#C12: CRM - UF6 - SCM



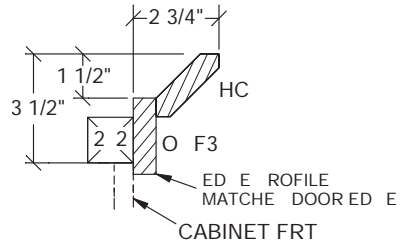
#C13: UTP – UF3 – SCM



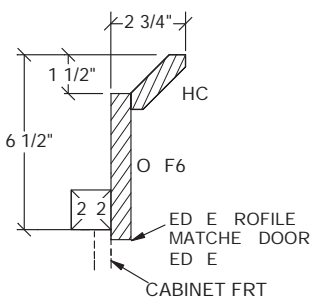
#C14: UTP – UF6 – SCM



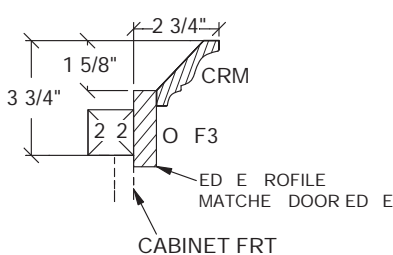
#C15: SHC – OUF3 (V)



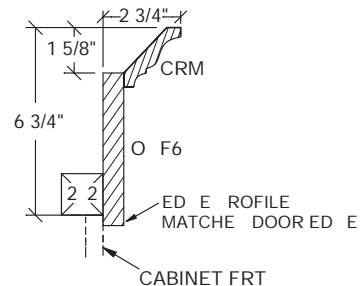
#C16: SHC – OUF6 (V)



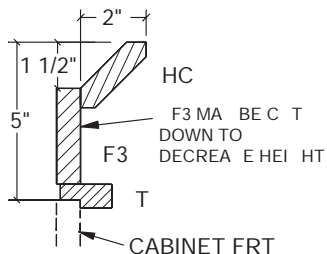
#C17: CRM OUF3 (V)



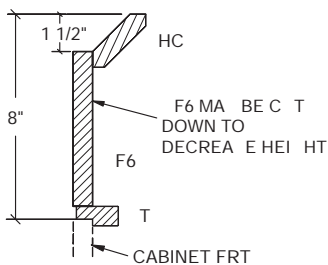
#C18: CRM – OUF6 (V)



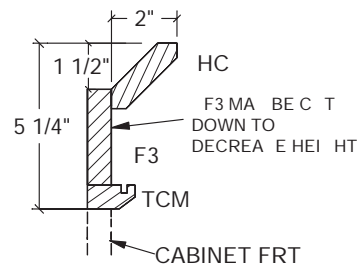
#C19: SHC – UF3 – UTP



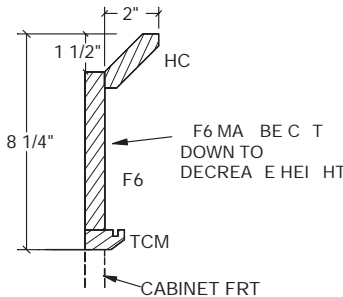
#C20: SHC – UF6 – UTP



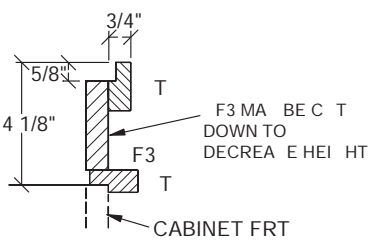
#C21: SHC – UF3 – TCM



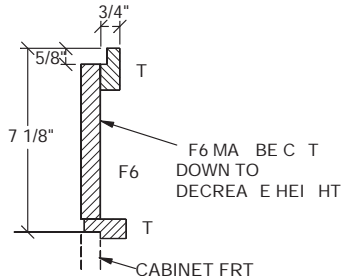
#C22: SHC – UF6 – TCM



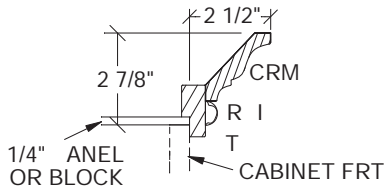
#C23: UTP – UF3 – UTP



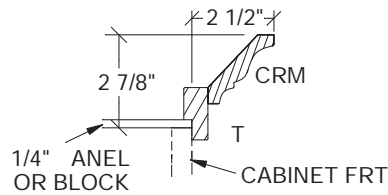
#C24: UTP – UF6 – UTP



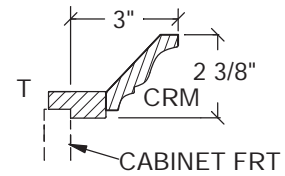
#C25: CRM – RPI – UTP (V)



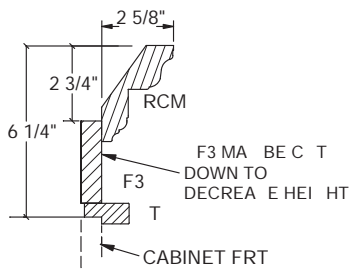
#C26: CRM – UTP (V)



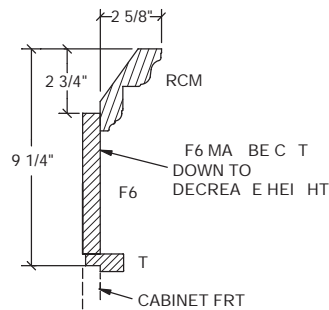
#C27: CRM – UTP (H)



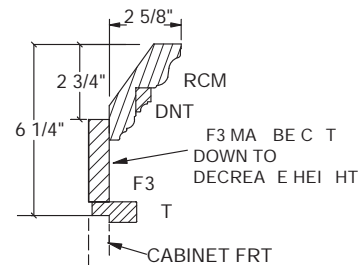
#C28: RCM – UF3 – UTP



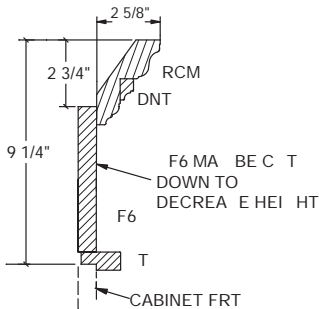
#C29: RCM – UF6 – UTP



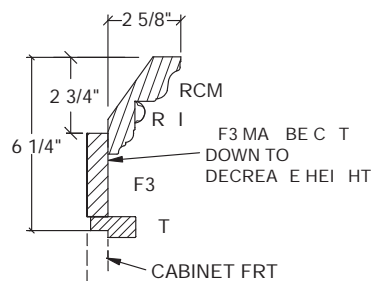
#C30: RCM – DNT – OUF3 – UTP



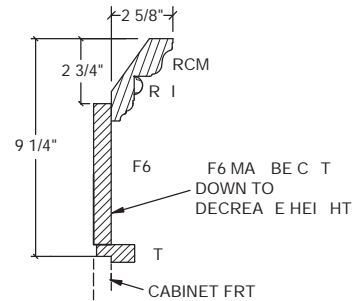
#C31: RCM – DNT – OUF6 – UTP



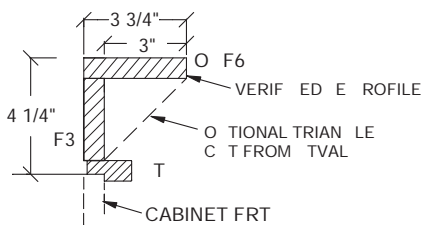
#C32: RCM – RPI – UF3 – UTP



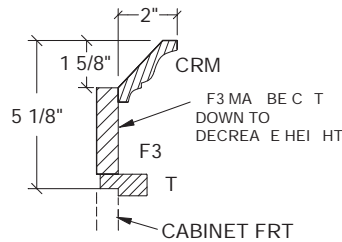
#C33: RCM – RPI – UF6 – UTP



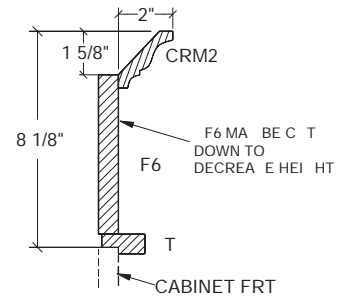
#C34: OUF6 – UF3 – UTP



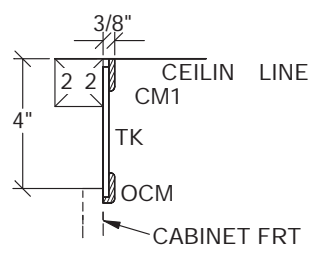
#C35: CRM – UF3 – UTP



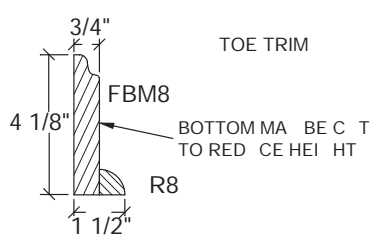
#C36: CRM – UF6 – UTP



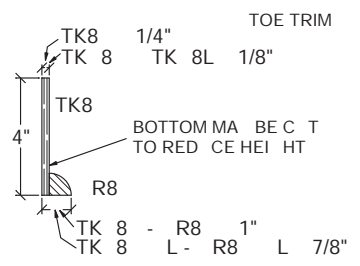
#C37: SCM1S – TKS8S – OCM1S  
 #C38: SCM1P – TKS8P – OCM1P



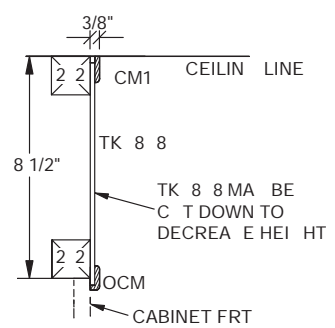
#C39: FBM8 – QR8



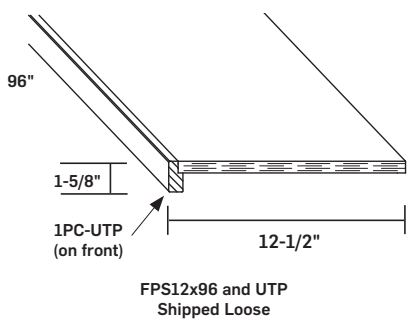
#C40: TKS8S – QR8S  
 #C41: TKS8P – QR8P  
 #C42: TKS8L – QR8L



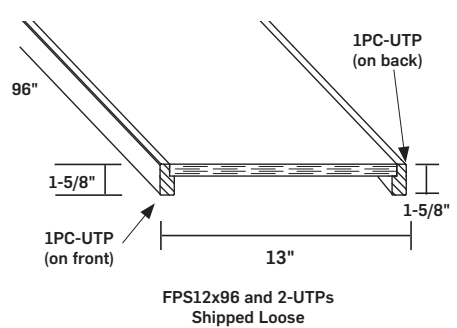
#C43: SCM1S – TKS8x8S – OCM1S  
 #C44: SCM1P – TKS8x8P – OCM1P



#C45: FPS12x96 – UTP



#C46: FPS12x96 – UTP – UTP





DECORATIVE ACCENTS,  
SAMPLES, AND PARTS



**ARTIQUE**



- Clear tempered "spider web" glass duplicating the look of antique hand blown glass

CODE # - ARTIQUE

**BAROQUE**



- Clear tempered glass with a wave like moire pattern throughout

CODE # - BAROQUE

**CLEAR**



- Clear tempered glass

CODE # - CLEAR

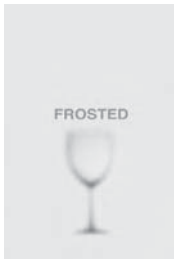
**CLEAR BEVEL**



- 1-1/4" Bevel
- Clear tempered glass
- Available in Cut for Glass doors

CODE # - CLBEVEL

**FROSTED ETCHED**



- Obscure tempered glass with a medium frost

CODE # - FROSTETCH

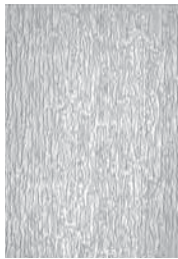
**GLUE CHIP**



- Obscure tempered glass with a lace pattern

CODE # - GLUE

**RAIN**



- Obscure tempered glass with a rain pattern

CODE # - RAIN

**REEDED**



- Clear tempered glass with 1/2" wide vertical reeds

CODE # - REEDED

**SADDLE**



- Obscure glass
- Leather patterned paper laminated between two pieces of glass
- Available in Cut for Glass or Mullion Door

CODE # - SADDLE

**SEEDY**



- Obscured tempered glass with a droplet (seeded) pattern throughout

CODE # - SEEDY

**SHANGHAI**



- Obscure glass
- Rice paper laminated between two pieces of glass
- Available in Cut for Glass or Mullion Door

CODE # - SHANGHAI

**SILVER SCREEN**




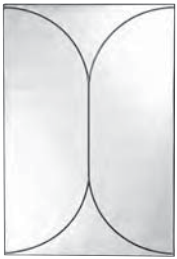
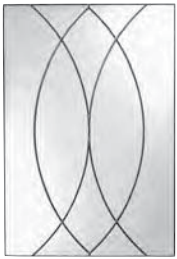



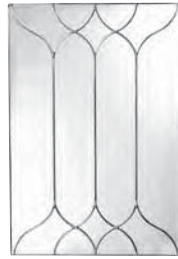


- Silver screen
- Aluminum wire grid screen laminated between two pieces of glass
- Available in Cut for Glass or Mullion Door

CODE # - SILVERSC

Glass inserts are available for standard reveal and full overlay door styles.

Glass inserts are for use with birch, cherry, and maple door styles. Not for use with Carlisle door style.

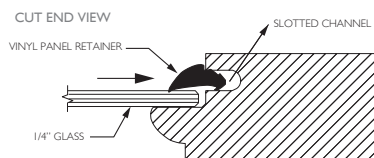
<p><b>TOWN SQUARE</b></p>  <ul style="list-style-type: none"> <li>• Obscure frosted etch glass</li> <li>• 3/8" etched grooved intersecting X</li> <li>• Available in Cut for Glass doors</li> <li>• Recommended for use with square door styles only</li> </ul> <p>CODE # - TOWNSQ</p>	<p><b>WOVEN</b></p>  <ul style="list-style-type: none"> <li>• White woven grid design laminated between two pieces of clear glass</li> <li>• Available in Cut for Glass doors</li> </ul> <p>CODE # - WOVEN</p>	<p><b>REFLECTIONS</b></p>  <ul style="list-style-type: none"> <li>• Mirrored glass</li> <li>• Available in Cut for Glass doors or Mullion Doors</li> </ul> <p>CODE # - REFLECT</p>
<p><b>VINTAGE PATINA</b></p>  <ul style="list-style-type: none"> <li>• Camed Artique clear glass</li> <li>• Available in Cut for Glass doors</li> <li>• Recommended for use with square door styles only</li> </ul> <p>CODE # - VINTAGEP</p>	<p><b>VICTORIAN PATINA</b></p>  <ul style="list-style-type: none"> <li>• Camed Artique clear glass</li> <li>• Available in Cut for Glass doors</li> <li>• Recommended for use with square door styles only</li> </ul> <p>CODE # - VICTORP</p>	<p><b>WINDSOR PATINA</b></p>  <ul style="list-style-type: none"> <li>• Camed Artique clear glass</li> <li>• Available in Cut for Glass doors</li> <li>• Recommended for use with square door styles only</li> </ul> <p>CODE # - WINDSORP</p>
<p><b>VINTAGE ZINC</b></p>  <ul style="list-style-type: none"> <li>• Camed Artique clear glass</li> <li>• Available in Cut for Glass doors</li> <li>• Recommended for use with square door styles only</li> </ul> <p>CODE # - VINTAGEZ</p>	<p><b>VICTORIAN ZINC</b></p>  <ul style="list-style-type: none"> <li>• Camed Artique clear glass</li> <li>• Available in Cut for Glass doors</li> <li>• Recommended for use with square door styles only</li> </ul> <p>CODE # - VICTORZ</p>	<p><b>WINDSOR ZINC</b></p>  <ul style="list-style-type: none"> <li>• Camed Artique clear glass</li> <li>• Available in Cut for Glass doors</li> <li>• Recommended for use with square door styles only</li> </ul> <p>CODE # - WINDSORZ</p>

Glass inserts are available for standard reveal and full overlay door styles.

Glass inserts are for use with birch, cherry, and maple door styles. Not for use with Carlisle door style.

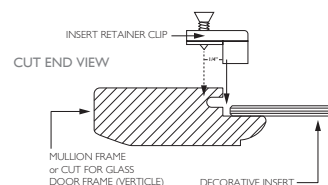
## Decorative glass inserts use the following:

### VINYL RETAINER (GlassRetainer)



To be used with Artique, Baroque, Clear, Clear Bevel, Frosted Etch, Glue Chip, Rain, Reflections, and Seedy glass inserts

### GLASS INSERT CLIPS (GlassClips)



To be used with Reeded, Saddle, Shanghai, Silver Screen, Town Square, Woven, Victorian Patina, Victorian Zinc, Vintage Patina, Vintage Zinc, Windsor Patina, and Windsor Zinc glass inserts

DOOR STYLES	GLASS INSERT STYLES																	
	Artique	Baroque	Clear	Clear Bevel	Frost Etch (Medium)	Glue Chip	Rain	Reeded	Reflections	Saddle	Seedy	Shanghai	Silver Screen	Town Square	Windsor Patina or Zinc	Woven	Victorian Patina or Zinc	Vintage Patina or Zinc
Addison	D	D	D	D	D, V	D	D	D	D	D	D	D	D	D	D	D	D	D
Ardmore	M, D	M, D	M, D	D	M, D, V	M, D	M, D	D	M, D	M, D	M, D	M, D	M, D	D	D	D	D	D
Bedford	D	D	D	D	D	D	D	D	D	D	D	D	D	D	D	D	D	D
Bellevue	D	D	D	D	D	D	D	D	D	D	D	D	D	D	D	D	D	D
Benton	M, D	M, D	M, D	D	M, D	M, D	M, D	D	M, D	M, D	M, D	M, D	M, D	D	D	D	D	D
Brisbin	M, D	M, D	M, D	D	M, D	M, D	M, D	D	M, D	M, D	M, D	M, D	M, D	D	D	D	D	D
Carlisle					V													
Cheswick	M, D	M, D	M, D	D	M, D	M, D	M, D	D	M, D	M, D	M, D	M, D	M, D	D	D	D	D	D
Edinburgh	M, D	M, D	M, D	D	M, D, V	M, D	M, D	D	M, D	M, D	M, D	M, D	M, D	D	D	D	D	D
Freeman	NEW	D	D	D	D, V	D	D	D	D	D	D	D	D	D	D	D	D	D
Hargrove	D	D	D	D	D	D	D	D	D	D	D	D	D	D	D	D	D	D
Herndon	M, D	M, D	M, D	D	M, D	M, D	M, D	D	M, D	M, D	M, D	M, D	M, D	D	D	D	D	D
Langdon 5-PC	M, D	M, D	M, D	D	M, D, V	M, D	M, D	D	M, D	M, D	M, D	M, D	M, D	D	D	D	D	D
Langdon Arch 5-PC	M, D	M, D	M, D	D	M, D, V	M, D	M, D	D	M, D	M, D	M, D	M, D	M, D			D		
Langdon Slab	M, D	M, D	M, D	D	M, D, V	M, D	M, D	D	M, D	M, D	M, D	M, D	M, D	D	D	D	D	D
Langdon Arch Slab	M, D	M, D	M, D	D	M, D, V	M, D	M, D	D	M, D	M, D	M, D	M, D	M, D			D		
Lisburn	D	D	D	D	D, V	D	D	D	D	D	D	D	D	D	D	D	D	D
Marianna	D	D	D	D	D, V	D	D	D	D	D	D	D	D	D	D	D	D	D
Norwich 5-PC	NEW	D	D	D	D	D	D	D	D	D	D	D	D	D	D	D	D	D
Norwich Slab	D	D	D	D	D	D	D	D	D	D	D	D	D	D	D	D	D	D
Rossiter 5-PC	M, D	M, D	M, D	D	M, D, V	M, D	M, D	D	M, D	M, D	M, D	M, D	M, D	D	D	D	D	D
Rossiter Slab	M, D	M, D	M, D	D	M, D, V	M, D	M, D	D	M, D	M, D	M, D	M, D	M, D	D	D	D	D	D
Salerno 5-PC	M, D	M, D	M, D	D	M, D	M, D	M, D	D	M, D	M, D	M, D	M, D	M, D	D	D	D	D	D
Salerno Slab	M, D	M, D	M, D	D	M, D	M, D	M, D	D	M, D	M, D	M, D	M, D	M, D	D	D	D	D	D
Southampton	D	D	D	D	D, V	D	D	D	D	D	D	D	D	D	D	D	D	D
Sutton	M, D	M, D	M, D	D	M, D, V	M, D	M, D	D	M, D	M, D	M, D	M, D	M, D	D	D	D	D	D
Touraine 5-PC	M, D	M, D	M, D	D	M, D	M, D	M, D	D	M, D	M, D	M, D	M, D	M, D	D	D	D	D	D
Touraine Slab	M, D	M, D	M, D	D	M, D	M, D	M, D	D	M, D	M, D	M, D	M, D	M, D	D	D	D	D	D
Trevino 5-PC	D	D	D	D	D, V	D	D	D	D	D	D	D	D	D	D	D	D	D
Trevino Slab	D	D	D	D	D, V	D	D	D	D	D	D	D	D	D	D	D	D	D
Weston 5-PC	NEW	D	D	D	D, V	D	D	D	D	D	D	D	D	D	D	D	D	D
Weston Arch 5-PC	NEW	D	D	D	D, V	D	D	D	D	D	D	D	D			D		
Weston Slab	NEW	D	D	D	D, V	D	D	D	D	D	D	D	D	D	D	D	D	D
Weston Arch Slab	NEW	D	D	D	D, V	D	D	D	D	D	D	D	D			D		

D = Door Cut for Glass      M = Mullion Door      V = Vetro Aluminum Door

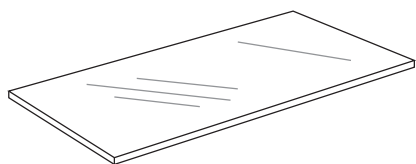
**NEW GLASS INSERT NOMENCLATURE**

- Simplifies ordering the glass insert
- Nomenclature based on cabinet door size and glass insert style
- Order glass insert under the cabinet door style to get correct glass size
- **Glass inserts are ordered individually. For 30", 36", and 42" wide cabinets order 2 inserts (15", 18", and 21") for a double door cabinet. For 2718, 3318, and 3918 order 2 inserts.**
- For use with doors cut for glass and mullion door cabinets
- See glass specifications section for specific description of glass style and recommendation for use by door style
- **Some Doors Cut For Glass door styles have limited glass insert options. See pages 47-50 for more information.**

**EXAMPLE**

**G1530WOVEN**

Glass insert — Cabinet size — Glass insert style code

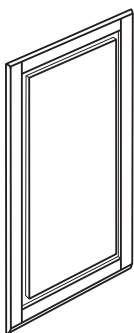


## GLASS SHELVES

- All shelves are 1/4" tempered, pencil polished on all 4 edges
- Priced and packaged as 2 glass shelves per box
- 42" high wall cabinets require two (2) boxes of shelves

	USE WITH	GLASS SIZE
G15SHELF	Fits 15" wide cabinets	13-1/2" x 10-5/8"
G18SHELF	Fits 18" wide cabinets	16-1/2" x 10-5/8"
G21SHELF	Fits 21" wide cabinets	19-1/2" x 10-5/8"
G24SHELF	Fits 24" wide corner wall cabinets	22-5/8" x 22-5/8"
G30SHELF	Fits 30" wide cabinets	28-1/2" x 10-5/8"
G36SHELF	Fits 36" wide cabinets	34-1/2" x 10-5/8"
G42SHELF	Fits 42" wide cabinets	40-1/2" x 10-5/8"

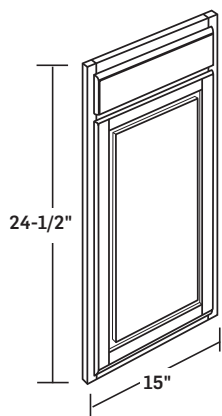
## SAMPLES



### DOOR SAMPLE

- 10" w x 15-5/8" h

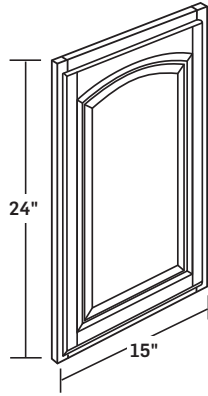
SAMPLEDOOR



### VANITY CABINET SAMPLE FRONT

- Specify L or R door hinging
- Not available in Arched panel-in-frame door styles
- Also for use on Carousel Display

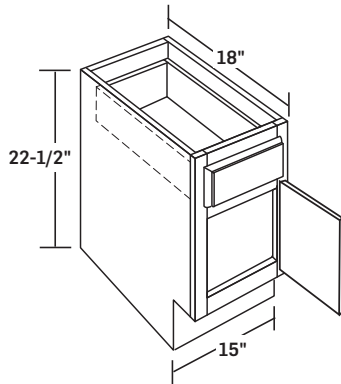
SVF15 L or R



**WALL CABINET SAMPLE FRONT**

- Specify L or R door hinging
- Available only in Arched panel-in-frame door styles

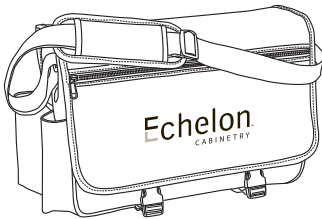
SWF15 L or R



**MINI BASE SAMPLE**

- Specify L or R door hinging

MB15 L or R



**DOOR SAMPLE CARRYING BAG**

- Black embroidered canvas shoulder bag
- Holds six sample doors
- Zipper compartment perfect for brochures and loose sample chips
- **Does not include doors**

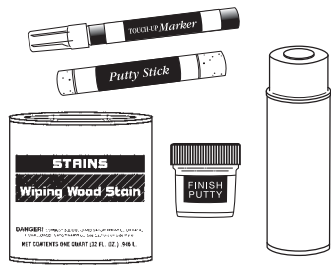
SAMPLEBAGECH



**DOOR SAMPLE CARRYING CASE**

- Carrying case for SAMPLEDOOR
- Holds six sample doors
- **Does not include doors**

SAMPLECASEECH



**TOUCH-UP MATERIALS**

- ACSPOTTOUCHUP – Clear coat for small repairs and touch-ups
- ACTOPCOAT – Clear coat for top coat sealing and large repairs
- CABINETY STAIN
- CCKIT Cabinetry Care Kit (Putty Stick and Touch-Up Marker)
- FPUTTY Finish Putty
- PSTICK Putty Stick
- TUMARKER Touch-Up Marker

STAIN COLOR	WOOD SPECIES	CC KIT (INCLUDES PSTICK AND TUMARKER)	TUMARKER 1/2 OZ WITH APPLICATOR	CABINETY STAIN QUART
Autumn Brown	All	CCKITAUTBRWN		STAUTBRWN
Bordeaux	All	CCKITBORD		STBORD
Café	Maple / Birch	CCKITCAFEM		STCAFEM
Chestnut	Oak	CCKITCHESTO		STCHESTO
Cinnamon	Cherry / Alder	CCKITCINAMONC		STCINAMONC
Crystal	Cherry / Alder	CCKITCRYSTC		STCRYSTC
Crystal	Maple / Birch	CCKITNATURM		STNATURAM
Double Espresso	All	CCKITDBLESP		STDBLESP
Espresso	Maple / Birch	CCKITESPRESSOM		STESPRM
Espresso	Cherry / Alder	CCKITESPRESSOC		STESPRC
Honey	Oak	CCKITHONEYO		STHONEYO
Mocha	Cherry / Alder	CCKITMOCHAC		STMOCHAC
Mocha	Maple / Birch	CCKITMOCHAM		STMOCHAM
Mocha	Oak	CCKITMOCHAO		STMOCHAO
Nutmeg	All	CCKITNUTMEG		STNUTMEG
Storm	All	CCKITSTORM		STSTORM
Toffee	Birch	CCKITTOFFEEB		STTOFFEEB
Toffee	Maple	CCKITTOFFEEM		STTOFFEEM
Truffle	Maple / Birch	CCKITTRUFFLE		STTRUFFLE
White	Therm / Lam	CCKITWHITE		
<b>ENAMEL PAINTS</b>				
Alpine White	All	CCKITALPINEWT		STALPINEWHITE
Latte	All	CCKITLATTE		STLATTE
Linen	All	CCKITLINEN		STLINEN
Onyx	All	CCKITONYX		STONYX
River Rock	All	CCKITRIVERROCK		STRIVERROCK
Slate	All	CCKITSLATE		STSLATE
Vanilla Cream	All	CCKITVANCRM		STVANCRM
<b>GLAZE TOUCH-UP MARKERS</b>				
Ebony	All		TUMARKERBRNGLZ	
Frost	All		TUMARKERFROST	
Pewter	All		TUMARKERPEWGLZ	
Taupe	All		TUMARKERTPEGLZ	

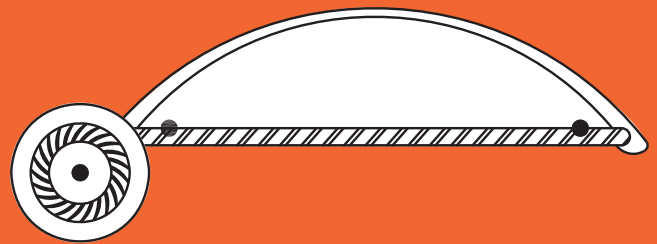
Echelon Part #	Manufacturer #	Description	List
<b>DRAWER GUIDES &amp; PARTS</b>			
18SOFTCLOSEL	AHNUMSC18L	Left Dovetail Soft-Close drawer guide member for 18" deep cabinet	\$ 68.00
18SOFTCLOSER	AHNUMSC18R	Right Dovetail Soft-Close drawer guide member for 18" deep cabinet	\$ 68.00
21SOFTCLOSEL	AHNUMSC21L	Left Dovetail Soft-Close drawer guide member for 21" deep cabinet	\$ 68.00
21SOFTCLOSER	AHNUMSC21R	Right Dovetail Soft-Close drawer guide member for 21" deep cabinet	\$ 68.00
AVGRASSET21	Various	21" Deep Advanta Drawer Guide Set	\$ 14.00
AVGRASSET24		24" Deep Advanta Drawer Guide Set	\$ 14.00
DYNPROPSET24	Various	24" Deep Dovetail Soft-Close Dynapro PB Guide Set for all Peninsula cabinets	\$ 117.00
DYNPROSET18	Various	18" Deep Dovetail Soft-Close Dynapro Guide Set for use on all 18" deep cabinets and Deluxe Shelf Tray	\$ 109.00
DYNPROSET21	Various	21" Deep Dovetail Soft-Close Dynapro Guide Set for use on all 21" deep cabinets and Deluxe Shelf Tray	\$ 109.00
DYNPROSET24	Various	24" Deep Dovetail Soft-Close Dynapro Guide Set for use on all 24" deep cabinets and Deluxe Shelf Tray	\$ 109.00
DYNPROVB36SET18	Various	18" Deep VB36 Dynapro Guide Set Dovetail Soft-Close	\$ 109.00
DYNPROVB36SET21	Various	21" Deep VB36 Dynapro Guide Set Dovetail Soft-Close	\$ 109.00
EXGRASSET18	Various	Complete drawer guide set for 18" drawer box Extreme	\$ 14.00
EXGRASSET21	Various	Complete drawer guide set for 21" drawer box Extreme	\$ 14.00
EXGRASSET24	Various	Complete drawer guide set for 24" drawer box Extreme	\$ 14.00
EXRPBSET24		24" Deep Express Guide Set	\$ 38.00
EXRSET18		18" Deep Express Guide Set	\$ 55.00
EXRSET21		21" Deep Express Guide Set	\$ 38.00
EXRSET24		24" Deep Express Guide Set	\$ 38.00
FER550FSET24	Various	Heavy duty drawer guide set (L & R pair) for DB30 & FDB18 cabinet	\$ 83.00
GRCUSHSET18	Various	Complete drawer guide set for 18" drawer box PR & AW	\$ 14.00
GRCUSHSET21	Various	Complete drawer guide set for 21" drawer box PR & AW	\$ 14.00
GRCUSHSET24	Various	Complete drawer guide set for 24" drawer box PR & AW	\$ 14.00
GUIDESPACER	AHNMEPSPAC	Pull out tray drawer guide spacer	\$ 1.00
LCABGRRAIL18	AHNGRA10CL	Left drawer guide member (18" deep) attach to cabinet	\$ 3.00
LCABGRRAIL21	AHNGRA09CL	Left drawer guide member (21" deep) attach to cabinet	\$ 3.00
LCABGRRAIL24	AHNGRA08CL	Left drawer guide member (24" deep) attach to cabinet	\$ 3.00
LCABRAILEX18	AHNGRA18CL	Left drawer guide member (18" deep) attach to cabinet	\$ 3.00
LCABRAILEX21	AHNGRA20CL	Left drawer guide member (21" deep) attach to cabinet	\$ 3.00
LCABRAILEX24	AHNGRA23CL	Left drawer guide member (24" deep) attach to cabinet	\$ 3.00
LDWRGRRAIL18	AHNGRA10DL	Left drawer guide member (18" deep) attach to drawer	\$ 3.00
LDWRGRRAIL21	AHNGRA09DL	Left drawer guide member (21" deep) attach to drawer	\$ 3.00
LDWRGRRAIL24	AHNGRA08DL	Left drawer guide member (24" deep) attach to drawer	\$ 3.00
LDWRRRAILEX18	AHNGRA18DL	Left drawer guide member (18" deep) attach to drawer	\$ 3.00
LDWRRRAILEX21	AHNGRA20DL	Left drawer guide member (21" deep) attach to drawer	\$ 3.00
LDWRRRAILEX24	AHNGRA23DL	Left drawer guide member (24" deep) attach to drawer	\$ 3.00
PBFULACCESSL	AHNUMPF19L	Left Dovetail Full Access peninsula base slide assembly	\$ 38.00
PBFULACCESSR	AHNUMPF19R	Right Dovetail Full Access peninsula base slide assembly	\$ 38.00
PBSOFTCLOSEL	AHNUMPS19L	Left Dovetail Soft-Close peninsula base slide assembly	\$ 78.00



Echelon Part #	Manufacturer #	Description	List
<b>DRAWER GUIDES &amp; PARTS (continued)</b>			
PBSOFTCLOSER	AHNUMPS19R	Right Dovetail Soft-Close peninsula base slide assembly	\$ 78.00
RCABGRRAIL18	AHNGRA10CR	Right drawer guide member (18" deep) attach to cabinet	\$ 3.00
RCABGRRAIL21	AHNGRA09CR	Right drawer guide member (21" deep) attach to cabinet	\$ 3.00
RCABGRRAIL24	AHNGRA08CR	Right drawer guide member (24" deep) attach to cabinet	\$ 3.00
RCABRAILEX18	AHNGRA18CR	Right drawer guide member (18" deep) attach to cabinet	\$ 3.00
RCABRAILEX21	AHNGRA20CR	Right drawer guide member (21" deep) attach to cabinet	\$ 3.00
RCABRAILEX24	AHNGRA23CR	Right drawer guide member (24" deep) attach to cabinet	\$ 3.00
RDWRGRRAIL18	AHNGRA10DR	Right drawer guide member (18" deep) attach to drawer	\$ 3.00
RDWRGRRAIL21	AHNGRA09DR	Right drawer guide member (21" deep) attach to drawer	\$ 3.00
RDWRGRRAIL24	AHNGRA08DR	Right drawer guide member (24" deep) attach to drawer	\$ 3.00
RDWRRRAILEX18	AHNGRA18DR	Right drawer guide member (18" deep) attach to drawer	\$ 3.00
RDWRRRAILEX21	AHNGRA20DR	Right drawer guide member (21" deep) attach to drawer	\$ 3.00
RDWRRRAILEX24	AHNGRA23DR	Right drawer guide member (24" deep) attach to drawer	\$ 3.00
<b>BRACKETS AND SOCKETS</b>			
5PCDWRFRTRBRKT	AHNSNOMAN	5-Piece dwrfront-dwr bx Bracket	\$ 5.00
BRCORNBRAK	AHNCBH437	Brown plastic base cabinet corner bracket	\$ 1.00
DYNAPROLOCKL	AHNDYP233L	Dynapro Front Bracket Left	\$ 5.00
DYNAPROLOCKNL	AHNDYD233L	Front Bracket L (Tooth Paste Drawer)	\$ 5.00
DYNAPROLOCKNR	AHNDYD233R	Front Bracket R (Tooth Paste Drawer)	\$ 5.00
DYNAPROLOCKR	AHNDYP233R	Dynapro Front Bracket Right	\$ 5.00
DYNPROBRACKETS	SHNTAN294	Dynapro Back Sockets	\$ 3.00
EXPRSOCKETL		Express Back Socket L	\$ 3.00
EXPRSOCKETR		Express Back Socket R	\$ 3.00
GRASSBRACKET	AHNTENBRKT	Rear bracket (plug-in) Premier and Allwood	\$ 1.00
GRASSBRKTEXT	AHNRGRASKT	Rear socket Extreme	\$ 1.00
PB SOCKET	AHNGRAPBKT	Peninsula socket	\$ 1.00
STBRACKET	AHNGRASPAC	Roll-out tray bracket	\$ 1.00
WHCORNBRACK	AHNCBWH437	White plastic base cabinet corner bracket	\$ 1.00
<b>BACK &amp; FLOOR MATERIAL</b>			
BACKS4X5C	APWB3MF145	48" x 60" x 1/8" back material Allwood with clear coat	\$ 125.00
BACKS4X5M	AHBPL1A4X5	48" x 60" x 1/8" back material with maple interior paper	\$ 55.00
BACKS4X5W	AHBPW1S4X5	48" x 60" x 1/8" back material with white interior paper	\$ 67.00
BACKS5X8M	AHBPL1A5X8	60" x 96" x 1/8" back material with maple interior paper	\$ 83.00
BACKS5X8W	AHBPW1S5X8	60" x 96" x 1/8" back material with white interior paper	\$ 102.00
COVERCAP WHT	AHNTT780W	8 MM Cover Cap, White	\$ 0.26
COVERCAP BGE	AHNTT780B	8 MM Cover Cap, Beige	\$ 0.26
FIBACK4X8		48" X 96" Finished Back	\$ 163.00
FLOOR4X9M	APBLAM14X9	48" x 108" x 1/2" floor material with maple interior paper, 1 side	\$ 102.00
FLOOR4X9W	APBLV1W4X9	48" x 108" x 1/2" floor material with white interior paper 1 side	\$ 125.00
MICROSHLF	AAPKV34123	Shelf for microwave cabinets (Stained to match Frame)	\$ 141.00

Echelon Part #	Manufacturer #	Description	List
<b>INGES</b>			
BS C36DR-DR	AHNTPIEDDA	Hinge Assembly BS C Door-Door	\$ 16.00
BS C36DR-FRM	AHNTPIEDFA	Hinge Assembly BS C Door-Frame Concealed	\$ 14.00
BS C36HINGE	AHNTPIEDFA/DDA	Hinge Assembly for BS C36 Concealed	\$ 32.00
BS C36WRAPHINGE	AHNTPIEDDA / AHN6541BB	Hinge Assembly for BS C36 Wrap	\$ 24.00
CWFO CONHING	AHNTMEP162	Chrome concealed hinge for corner wall cabinets (1/8", 1/4", reveal full overlay door styles)	\$ 7.00
FEOCONCHINGE	AHN6FER175	Concealed 6-way ad ustable hinge (1/8" reveal full overlay door styles)	\$ 7.00
FER2WAYHINGE	AHN707142G	Concealed 2-way ad ustable hinge (Prima only)	\$ 7.00
FERCONCHINGE	AHN6FER176	Concealed 6-way ad ustable hinge (1/4" reveal full overlay door styles)	\$ 7.00
FLATMTHINGE	AHN7531BB	Brass wrap hinge face mount (standard reveal microwave or oven cabinet)	\$ 5.00
FRCONCHINGE	AHN6FER170	Concealed 6-way ad ustable hinge (standard reveal door styles)	\$ 7.00
GNTLTCHHNGCW	AHN65SC745A	Gentle Touch Soft-close ad ustable hinge, full overlay corner walls	\$ 8.00
GNTLTCHHNGFM	AHNTGRA863	Oven soft-close hinge, facemount	\$ 8.00
GNTLTCHHNGFO	AHN6SC910A	Gentle Touch Soft-close ad ustable hinge, full overlay 1/4" reveal door styles	\$ 8.00
GNTLTCHHNGFOO	AHN6SC782A	Gentle Touch Soft-close ad ustable hinge, full overlay 1/8" reveal door styles (Waverly, Tiara, uadric)	\$ 8.00
GNTLTCHHNGSR	AHN6SC870A	Gentle Touch Soft-close ad ustable hinge, standard reveal door styles	\$ 8.00
GROMMET	AHNT2010PS	Black grommet (Installed into door for screw to screw into)	\$ 0.35
TEC830CHINGE	AHNMEP153	Chrome concealed hinge face mount (1/8", 1/4" reveal full overlay door styles WEC cabinets only)	\$ 7.00
TOTHINGESET	AHN6552H95	Tilt Out Tray Hinge Set	\$ 7.00
TOTSSH GESET	AHW220SC 0	Tilt Out Soft Close Hinge Set	\$ .00
WRAPMTHINGE	AHN7541BB	Brass wrap hinge (standard reveal only) 180 hinge	\$ 3.00
<b>CLIPS AND PADS</b>			
ADSHELFCLIP	AHNTT60006	Wall cabinet shelf support	\$ 0.51
BCCLIPSHelf	AHNS28204N	Metal spoon 1/4" bookcase and utility cabinet shelf clips	\$ 1.95
BDWCLIPSET		BDW Front Clip and Dowel	\$ 1.00
BLSHELFCLIP	AHNTT605CL	Base cabinet shelf support for 15mm shelves, left hand	\$ 0.51
BRSHelfCLIP	AHNTT605CR	Base cabinet shelf support for 15mm shelves, right hand	\$ 0.51
BUMPERPADCLR	AHNCSBU070	Clear bumper pads FULL OVERLAY DOOR STYLES ONLY	\$ 0.14
DMFRTCLIP	AHNFB100	Dummy front plastic clips	\$ 0.96
HUDCLIPSHelf	AHN AW130	HUD 1/2" ad ustable shelf clips (UC cabinets only)	\$ 0.51
WSHELFCLIP	AHNTENT605	Wall cabinet shelf support for 15mm shelves	\$ 0.51
<b>SHELVES</b>			
BDCSHELF	AHN3001281	28" Shelf White for BCD36	\$ 96.00
BDCSHELFWOOD	AHN4WLS041	28" Wood Circle Tray for BDC36	\$ 343.00
BRCPOSTKIT	AHN3472412	Hardware kit for BRC Rotary Shelves for BRC's and BDC's	\$ 42.00
BRCPOSTKITWOOD	AHN42LS672	Wood Tray Hardware Pack for BRC's and BDC's	\$ 138.00
BRCShelf	AHN3401281	28" Shelf, White for BRC33 and BRC36	\$ 105.00
BRCShelfWOOD	AHN4WLS441	28" Wood Kidney Susan Tray for BRCWT33 and BRCWT36	\$ 343.00
BS CSSSHELF	AHN4BWS401	32" BS C36SS SHELF	\$ 184.00
CAR36POSTKIT	AHN6942424	Hardware kit and post support for rotary shelf	\$ 62.00
CAR36Shelf	AHN6942114	Rotary shelf only for CAR36	\$ 42.00
CWS30POSTKIT	AHN6022044	Hardware kit and post support for 30" H corner wall rotary shelves	\$ 28.00

Echelon Part #	Manufacturer #	Description	List
<b>SCREWS</b>			
SCW15	AHN157	6 x 1/2" inc screw Ph scan hinge/Piecut hinge/Plate to door	\$ 0.21
SCW17	AHN17	8 x 7/8" inc screw half thread/Falcatta drawer box to front	\$ 0.21
SCW18	AHNSCW18	6 x 3/4" inc screw/c-tec guide to frame for pullout shelf tray/face mount hinge to face frame/base plate to face frame	\$ 0.21
SCW41B	AHNSCW41B	5 x 5/8" Ab screw/Hud doors hinge to door/undermount drawer guide to face frame/front catch to Dovetail drw.box	\$ 0.21
SCW49	AHNSCW49	8 x 1" inc screw/Allwood drawer box to drawer front	\$ 0.21
SCW50A	AHNSCW50A	8 x 7/8" inc screw/concealed to cabinet face frame/bottom holes in AW drawer box quadric	\$ 0.21
SCW50B	AHNSCW50B	8 x 7/8" AB screw/wrap hinge to cabinet frame	\$ 0.21
SCW90	AHNSCW9024	8 x 1 1/8" ince screw 17 /Half thread/Dovetail drawer box to front	\$ 0.21
SCW9406	AHNSCW9406	8 x 1 1/4" Washerhead Screw- used to attach the drawer front to the EX Drawer box	\$ 0.21
SCWO4B	AHNSCWM04B	6 x 7/16" AB screw/wrap hinge to door & drawer guide to drw.box/c-tec to cabinet frame	\$ 0.21
<b>GLASS INSERT ACCESSORIES</b>			
GLASSCLIPS		Set of 8 clips for glass inserts	\$ 10.00
GLASSRETAINER		Vinyl Insert Retainer 11' length	\$ 10.00
<b>MISC OT ER</b>			
DRIPTRAY30	AHNSDTSB30	30" Wide Drip Tray	\$ 138.00
DRIPTRAY36	AHNSDTSB36	36" Wide Drip Tray	\$ 138.00
SCD		Soft-close Door Dampener (shipped separately for field installation)	\$ 20.00
TAMDOORKIT		Tambour door kit for appliance garage-specify AG2418, SAG2418 or SAG3018	\$ 159.00
WRL1830		Wine rack lattice for WR1830 (order under species style code)	\$ 142.00
WRL3018		Wine rack lattice for WR3018 (order under species style code)	\$ 162.00
WRL3615		Wine rack lattice for WR3615 (order under species style code)	\$ 145.00




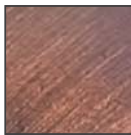

HARDWARE









HARDWARE

**FINISHING TOUCHES TO COMPLETE YOUR DESIGN**










In architecture and interior design every element has a role in creating the vision and essence of your space. Beyond the beautiful cabinets, there are other decisions to consider. Decorative hardware becomes a cohesive part of the style and design. Echelon Cabinetry offers numerous options in decorative hardware to complement and enhance a vast array of rooms, homes and spaces. Choose from a wide selection of contemporary, transitional, eclectic, or traditional knobs and pulls in a variety of finishes, to personalize your cabinets to fit you.

**AVAILABLE FINISHES / CODES**

BRUSHED PEWTER	DISTRESSED PEWTER	GUN METAL	BRUSHED OIL RUBBED BRONZE
<b>BNBDL</b>	<b>BNMDL</b>	<b>DACM</b>	<b>DBAC</b>
			
POLISHED NICKEL	POLISHED CHROME	SATIN NICKEL	STAINLESS STEEL
<b>NI</b>	<b>PC</b>	<b>SN</b>	<b>SS</b>
			

PRODUCT DESCRIPTION		FINISH OFFERINGS							
		BRUSHED PEWTER	DISTRESSED PEWTER	GUN METAL	OIL RUBBED BRONZE	POLISHED NICKEL	POLISHED CHROME	SATIN NICKEL	STAINLESS STEEL
	146mm Overall Length Cabinet Bar Pull Holes are 96mm center-to-center							146SN	
	156mm Overall Length Cabinet Bar Pull Holes are 96mm center-to-center							156SN	
	178mm Overall Length Cabinet Bar Pull Holes are 96mm center-to-center							178SN	
	206mm Overall Length Cabinet Bar Pull Holes are 96mm center-to-center							206SN	
	242mm Overall Length Cabinet Bar Pull Holes are 96mm center-to-center							242SN	
	274mm Overall Length Cabinet Bar Pull Holes are 96mm center-to-center							274SN	
	370mm Overall Length Cabinet Bar Pull Holes are 96mm center-to-center							370SN	
	154mm Overall Length Hollow Stainless Steel Cabinet Bar Pull Holes are 96mm center-to-center								154SS
	204mm Overall Length Hollow Stainless Steel Cabinet Bar Pull Holes are 96mm center-to-center								204SS
	4-1/4" Overall Length Zinc Die Cast Plain Square Cabinet Pull Holes are 96mm center-to-center	1092 BNBDL		1092 DACM	1092 DBAC			1092 SN	
	5-9/16" Overall Length Zinc Die Cast Plain Square Cabinet Pull Holes are 128mm center-to-center	1092-128 BNBDL		1092-128 DACM	1092-128 DBAC			1092-128 SN	
	6-13/16" Overall Length Zinc Die Cast Plain Square Cabinet Pull Holes are 160mm center-to-center	1092-160 BNBDL		1092-160 DACM	1092-160 DBAC			1092-160 SN	
	40mm Overall T Cabinet Knob							40SN	
	6-13/16" Overall Length Zinc Die Cast Cabinet Pull Holes are 160mm center-to-center	519-160 BNBDL			519-160 DBAC			519-160 SN	
	5-3/8" Overall Length Cabinet Bar Pull Holes are 96mm center-to-center							596SN	
	6-5/8" Overall Length Cabinet Bar Pull Holes are 128mm center-to-center							5128SN	
	9-1/8" Overall Length Cabinet Bar Pull Holes are 192mm center-to-center							5192SN	
	10-3/8" Overall Length Cabinet Bar Pull Holes are 224mm center-to-center							5224SN	
	14-1/8" Overall Length Cabinet Bar Pull Holes are 319mm center-to-center							5319SN	
	20-1/2" Overall Length Cabinet Bar Pull Holes are 480mm center-to-center							5480SN	

All hardware comes packaged with the appropriate amount of 8/32" x 1" Screws.

PRODUCT DESCRIPTION	FINISH OFFERINGS							
	BRUSHED PEWTER	DISTRESSED PEWTER	GUN METAL	OIL RUBBED BRONZE	POLISHED NICKEL	POLISHED CHROME	SATIN NICKEL	STAINLESS STEEL
 8" Overall Length Cabinet Pull Holes are 192mm center-to-center	549-192 BNBDL			549-192 DBAC			549-192 SN	
 4-13/16" Overall Length Zinc Die Cast Cabinet Pull Holes are 96mm center-to-center	595-96 BNBDL			595-96 DBAC			595-96 SN	
 6-1/16" Overall Length Zinc Die Cast Cabinet Pull Holes are 128mm center-to-center	595-128 BNBDL			595-128 DBAC			595-128 SN	
 2-1/4" Overall Length Cabinet Pull Holes are 32mm center-to-center				635-32 DBAC		635-32 PC	635-32 SN	
 4-3/4" Overall Length Cabinet Pull Holes are 96mm center-to-center				635-96 DBAC		635-96 PC	635-96 SN	
 7-1/2" Overall Length Cabinet Pull Holes are 160mm center-to-center				635-160 DBAC		635-160 PC	635-160 SN	
 4-7/8" Overall Length Cabinet Pull Holes are 96mm center-to-center				8004- DBAC			8004- SN	
 1-9/16" Overall Length Zinc Die Cast Cabinet Knob Holes are 5/8" center-to-center	81021 BNBDL			81021 DBAC			81021 SN	
 6" Overall Length Cabinet Pull Holes are 128mm center-to-center				81065- DBAC			81065- SN	

All hardware comes packaged with the appropriate amount of 8/32" x 1" Screws.

# DECORATIVE HARDWARE – TRANSITIONAL

PRODUCT DESCRIPTION		FINISH OFFERINGS							
		BRUSHED PEWTER	DISTRESSED PEWTER	GUN METAL	OIL RUBBED BRONZE	POLISHED NICKEL	POLISHED CHROME	SATIN NICKEL	STAINLESS STEEL
	1-1/4" Diameter Button Cabinet Knob							117SN	
	1-3/16" Overall Length Zinc Die Cast Plain Square Cabinet Knob	1091 BNBDL		1091 DACM	1091 DBAC			1091 SN	
	5-1/8" Overall Length Westbury Pull Holes are 3" center-to-center	3899 BNBDL			3899 DBAC			3899 SN	
	1-1/4" Overall Length Pillow Cabinet Knob	435 BNBDL		435 DACM	435 DBAC			435SN	
	1-1/2" Overall Length Pillow Cabinet Knob	435L- BNBDL			435L- DBAC			435L- SN	
	5" Overall Length Pillow Cabinet Pull Holes are 96mm center-to-center	435-96 BNBDL		435-96 DACM	435-96 DBAC			435-96 SN	
	6-1/4" Overall Length Pillow Cabinet Pull Holes are 128mm center-to-center	435-128 BNBDL		435-128 DACM	435-128 DBAC			435-128 SN	
	7-5/8" Overall Length Pillow Cabinet Pull Holes are 160mm center-to-center	435-160 BNBDL		435-160 DACM	435-160 DBAC			435-160 SN	
	5" Overall Length Pillow Cup Cabinet Pull Holes are 96mm center-to-center	436-96 BNBDL		436-96 DACM	436-96 DBAC			436-96 SN	
	6-1/4" Overall Length Pillow Cup Cabinet Pull Holes are 128mm center-to-center	436-128 BNBDL		436-128 DACM	436-128 DBAC			436-128 SN	
	1-9/16" x 13/16" Zinc Die Cast Cabinet Knob	519 BNBDL			519DBAC DBAC			519SN	
	4-1/4" Overall Length Zinc Die Cast Cabinet Pull	519-96 BNBDL			519-96 DBAC			519-96 SN	
	4-5/8" Overall Length Gavel Cabinet Pull Holes are 96mm center-to-center			527 DACM	527 DBAC			527SN	
	5-7/8" Overall Length Gavel Cabinet Pull Holes are 128mm center-to-center			527-128 DACM	527-128 DBAC	572-128 NI		527-128 SN	
	5-7/8" Overall Length Gavel Cabinet Pull Holes are 160mm center-to-center				527-160 DBAC	572-160 NI			
	4-3/16" Overall Length Cabinet Pull Holes are 96mm center-to-center	549-96 BNBDL			549-96 DBAC			549-96 SN	

All hardware comes packaged with the appropriate amount of 8/32" x 1" Screws.








[EchelonCabinetry.com](http://EchelonCabinetry.com)

toll free 800.522.0183


















PRODUCT DESCRIPTION	FINISH OFFERINGS							
	BRUSHED PEWTER	DISTRESSED PEWTER	GUN METAL	OIL RUBBED BRONZE	POLISHED NICKEL	POLISHED CHROME	SATIN NICKEL	STAINLESS STEEL
 5-1/2" Overall Length Cabinet Pull Holes are 128mm center-to-center	549-128 BNBDL			549-128 DBAC			549-128 SN	
 6-3/4" Overall Length Cabinet Pull Holes are 160mm center-to-center	549-160 BNBDL			549-160 DBAC			549-160 SN	
 1-1/4" Overall Length Zinc Die Cast Cabinet Knob	595 BNBDL			595 DBAC			595SN	
 1-7/8" Overall Length Zinc Die Cast Cabinet Knob	650- BNBDL			650- DBAC			650-SN	
 4-3/8" Overall Length Zinc Die Cast Cabinet Pull Holes are 96mm center-to-center	650-96 BNBDL			650-96 DBAC			650-96 SN	
 5-5/8" Overall Length Zinc Die Cast Cabinet Pull Holes are 128mm center-to-center	650-128 BNBDL			650-128 DBAC			650-128 SN	
 6-15/16" Overall Length Zinc Die Cast Cabinet Pull Holes are 160mm center-to-center	650-160 BNBDL			650-160 DBAC			650-160 SN	
 6-13/16" Overall Length Strap Cabinet Pull Holes are 128mm center-to-center	80152-128 BNBDL			80152-128 DBAC			80152-128 SN	
 8-1/16" Overall Length Strap Cabinet Pull Holes are 160mm center-to-center	80152-160 BNBDL			80152-160 DBAC			80152-160 SN	
 5" Overall Length Cabinet Pull Holes are 96mm center-to-center				80814 DBAC			80814 SN	
 6-1/4" Overall Length Cabinet Pull Holes are 128mm center-to-center				80815 DBAC			80815 SN	
 5" Overall Length Shaker Cup Pull Holes are 96mm center-to-center	8237 BNBDL		8237 DACM	8237 DBAC			8237 SN	
 4-1/8" Overall Length Steel Wire Cabinet Pull Holes are 96mm center-to-center						S271-96 PC	S271-96 SN	
 1-1/4" Diameter Hollow Steel Rope Knob with Backplate	S6060 BNBDL			S6060 DBAC			S6060 SN	
 1-1/4" Diameter Zinc Die Cast Cabinet Pull with Rope Trim	Z115 BNBDL			Z115 DBAC				
 4-3/8" Overall Length Zinc Cabinet Pull with Rope Trim Holes are 96mm center-to-center	Z115-96 BNBDL			Z115-96 DBAC				






All hardware comes packaged with the appropriate amount of 8/32" x 1" Screws.

PRODUCT DESCRIPTION		FINISH OFFERINGS							
		BRUSHED PEWTER	DISTRESSED PEWTER	GUN METAL	OIL RUBBED BRONZE	POLISHED NICKEL	POLISHED CHROME	SATIN NICKEL	STAINLESS STEEL
	1-1/4" Diameter Zinc Die Cast Cabinet Pull with Rope Detail			Z117-DACM					
	4-1/2" Overall Length Zinc Cabinet Pull with Rope Detail Holes are 96mm center-to-center	Z261-96 BNBDL			SZ261-96 DBAC			SZ261-96 SN	
	4-3/16" Overall Length Cabinet Pull Holes are 96mm center-to-center	Z280 BNBDL			Z280 DBAC				
	3-3/8" Overall Length Zinc Die Cast Cabinet Pull Holes are 3" center-to-center	Z290-3 BNBDL		Z290-3 DACM	Z290-3 DBAC			Z290-3 SN	
	4-1/4" Overall Length Zinc Die Cast Cabinet Pull Holes are 96mm center-to-center	Z290-96 BNBDL		Z290-96 DACM	Z290-96 DBAC			Z290-96 SN	
	5-1/2" Overall Length Zinc Die Cast Cabinet Pull Holes are 128mm center-to-center	Z290-128 BNBDL		Z290-128 DACM	Z290-128 DBAC			Z290-128 SN	
	6-3/4" Overall Length Zinc Die Cast Cabinet Pull Holes are 160mm center-to-center	Z290-160 BNBDL		Z290-160 DACM	Z290-160 DBAC			Z290-160 SN	

All hardware comes packaged with the appropriate amount of 8/32" x 1" Screws.

PRODUCT DESCRIPTION	FINISH OFFERINGS							
	BRUSHED PEWTER	DISTRESSED PEWTER	GUN METAL	OIL RUBBED BRONZE	POLISHED NICKEL	POLISHED CHROME	SATIN NICKEL	STAINLESS STEEL
 4-5/16" Overall Length Zinc Die Cast Decorated Square Cabinet Pull Holes are 96mm center-to-center	1094 BNBDL		1094 DACM	1094 DBAC			1094 SN	
 5-9/16" Overall Length Zinc Die Cast Decorated Square Cabinet Pull Holes are 128mm center-to-center	1094-128 BNBDL		1094-128 DACM	1094-128 DBAC			1094-128 SN	
 6-13/16" Overall Length Zinc Die Cast Decorated Square Cabinet Pull Holes are 160mm center-to-center	1094-160 BNBDL		1094-160 DACM	1094-160 DBAC			1094-160 SN	
 1-9/16" Overall Length Floral Oval Knob	1097 BNBDL			1097 DBAC				
 4-1/2" Overall Length Floral Cabinet Pull Holes are 96mm center-to-center	1098 BNBDL			1098 DBAC				
 1-9/16" Overall Length Zinc Die Cast Oval Baroque Cabinet Knob	211 BNBDL			211 DBAC				
 5-3/8" Overall Length Zinc Die Cast Baroque Cabinet Pull Holes are 96mm center-to-center	212-96 BNBDL			212-96 DBAC				
 4-3/8" Overall Length Zinc Die Cast Lafayette Cabinet Pull Holes are 96mm center-to-center	317-96 BNBDL			317-96 DBAC			317-96 SN	
 1-3/8" Overall Length Zinc Die Cast ICHTHUS Cabinet Knob	318 BNBDL			318 DBAC				
 1-3/8" Overall Length Zinc Die Cast Lafayette Cabinet Knob	417 BNBDL			417 DBAC			417SN	
 1-3/8" Overall Length Celtic Cabinet Knob	418 BNBDL			418 DBAC				
 1-3/4" Overall Length Zinc Die Cast Diamond Cabinet Knob	561 BNBDL			561 DBAC			561SN	
 4-3/8" Overall Length Zinc Die Cast Diamond Cabinet Pull Holes are 96mm center-to-center	561-96 BNBDL			561-96 DBAC			561-96 SN	
 2-5/8" Overall Length Ribbed Cabinet Knob		618 BNMDL		618 DBAC				
 5-5/8" Overall Length Zinc Die Cast Cabinet Pull Holes are 128mm center-to-center	650-128 BNBDL			650-128 DBAC			650-128 SN	
 5-15/16" Overall Length Glenmore Cabinet Pull with two backplates Holes are 128mm center-to-center		718-128 BNMDL		718-128 DBAC				

All hardware comes packaged with the appropriate amount of 8/32" x 1" Screws.

PRODUCT DESCRIPTION		FINISH OFFERINGS							
		BRUSHED PEWTER	DISTRESSED PEWTER	GUN METAL	OIL RUBBED BRONZE	POLISHED NICKEL	POLISHED CHROME	SATIN NICKEL	STAINLESS STEEL
	1-3/8" Diameter Cabinet Knob	0251 BNBDL			0251 DBAC				
	1-1/4" Diameter Button Cabinet Knob				117 DBAC	117 NI			
	1-1/4" Diameter Cabinet Knob	3898 BNBDL			3898 DBAC			3898 SN	
	1-3/16" Diameter Zinc Die Cast Cabinet Knob				3910- DBAC		3910- PC	3910- SN	
	1-1/4" Diameter Cabinet Knob	3980 BNBDL		3980 DACM	3980 DBAC			3980 SN	

All hardware comes packaged with the appropriate amount of 8/32" x 1" Screws.

# INDEX, WARRANTY, AND TERMS

NOMENCLATURE / ITEM	PAGE #	NOMENCLATURE / ITEM	PAGE #
<b>ACL</b> .....	158	<b>B-BDST</b> .....	66
Acanthus Corbel Large		Butt Door Base Cabinets with Shelf Tray	
<b>ACSPOTTOUCHUP</b> .....	201	<b>B-BDST2</b> .....	66
Aerosol Spot Touch Up		Butt Door Base Cabinets with 2-Shelf Trays	
<b>ACTOPCOAT</b> .....	201	<b>B-CD</b> .....	69
Aerosol Top Coat		Base Cabinets with Cutlery Divider	
<b>AG</b> .....	55	<b>B-DST</b> .....	67
Appliance Garage		Base Cabinets with Deluxe Shelf Tray	
<b>ALDCG</b> .....	52	<b>B-DST2</b> .....	67, 68
Vetro Aluminum Doors		Base Cabinets with 2-Deluxe Shelf Trays	
<b>ALDCGC</b> .....	52	<b>B-DST4</b> .....	68
Corner Vetro Aluminum Doors		Base Cabinets with 4-Deluxe Shelf Trays	
<b>ALR</b> .....	183	<b>B-GBH</b> .....	70, 73
Acanthus Light Rail Molding		Base Cabinets with Grocery Bag Holder	
<b>AOSC</b> .....	185	<b>B-MCB</b> .....	70, 73
Angled Outside Corner Molding		Base Cabinets with Mounted Cutting Board	
<b>APVAL</b> .....	172	<b>B-PPO</b> .....	69
Applique Valances		Base Cabinet with Pantry Pull-Out Shelves	
<b>ARVAL</b> .....	172	<b>B-PPOSC</b> .....	69
Arched Valances		Base Cabinet with Pantry Pull-Out Shelves with Soft-Close System	
<b>ASB</b> .....	178	<b>B-SDI</b> .....	70
Acanthus Base Molding		Base Cabinets with Spice Drawer Insert	
<b>ASC</b> .....	179	<b>B-ST</b> .....	66
Acanthus Casing Molding		Base Cabinets with Shelf Tray	
<b>ASI</b> .....	174	<b>B-ST2</b> .....	66, 67
Acanthus Insert Molding		Base Cabinets with 2-Shelf Trays	
<b>ASO</b> .....	159	<b>B-ST4</b> .....	67
Acanthus Onlay		Base Cabinets with 4-Shelf Trays	
<b>ATL</b> .....	164	<b>B-TCD</b> .....	69
Accent Turned Leg		Base Cabinets with Tiered Cutlery Divider	
<b>AZE</b> .....	174	<b>B-WBD</b> .....	71
Aztec Insert Molding		Base Cabinet with Double Waste Baskets	
<hr/>			
<b>B</b> .....	64, 65	<b>B-WBS</b> .....	71
Base Cabinets		Base Cabinet with Single Waste Basket	
<b>B-BD</b> .....	65	<b>BA</b> .....	64
Butt Door Base Cabinets		Base Cabinets for Accessories	
<b>B-BDCD</b> .....	65	<b>BA</b> .....	162
Butt Door Base Cabinets with Cutlery Divider		Beaded Aster Block	
<b>B-BDDST</b> .....	68	<b>BAT</b> .....	185
Butt Door Base Cabinets with Deluxe Shelf Tray		Batten Molding	
<b>B-BDDST2</b> .....	68	<b>BC</b> .....	143
Butt Door Base Cabinets with 2-Deluxe Shelf Trays		Bookcases	
<b>B-BDFH</b> .....	65	<b>BCB</b> .....	83
Full Height Butt Door Base Cabinets		Finished Interior Base Cabinet Bookcases	
<b>B-BDGBH</b> .....	72	<b>BCF</b> .....	154
Butt Door Base Cabinets with Grocery Bag Holder		Corner Base Cabinet Fillers	
<b>B-BDMCB</b> .....	72	<b>BCF-S</b> .....	154
Butt Door Base Cabinets with Mounted Cutting Board		Corner Base Cabinet Solid Wood Fillers	
<b>B-BDSDI</b> .....	72	<b>BCSH</b> .....	143
Butt Door Base Cabinets with Spice Drawer Insert		Adjustable Bookcase Shelves	

NOMENCLATURE / ITEM	PAGE #
<b>BDB</b> ..... 178 Beaded Base Molding	
<b>BDC</b> .....79 Base Diagonal Corner Cabinet	
<b>BDC-WT</b> .....79 Base Diagonal Corner Cabinet with Wood Tray	
<b>BDE</b> ..... 98 Base Cabinet Decorative End	
<b>BDW</b> .....85 Base Dishwasher Cabinet	
<b>BEC</b> .....83 Base End Cabinet	
<b>BFC</b> ..... 157 Base Fluted Columns	
<b>BFL</b> ..... 164 Base Fluted Leg	
<b>BGE</b> ..... 169 Base Grooved End Panel	
<b>BLB</b> .....81 Blind Base Cabinets	
<b>BLB-WLS</b> .....81 Blind Base Cabinets with Factory Installed Lazy Susan	
<b>BLW</b> .....36 Blind Wall Cabinets	
<b>BMC</b> ..... 84 Microwave Base Cabinet	
<b>BOC-RB</b> .....71 Base Open Cabinet with Rattan Baskets	
<b>BOV</b> .....85 Base Oven Cabinets	
<b>BP</b> ..... 162 Beaded Plinth Block	
<b>BPC</b> ..... 157 Base Plain Column	
<b>BRB</b> ..... 162 Beaded Rosette Block	
<b>BRC</b> .....78 Rotating Corner Base Cabinet	
<b>BRC-WT</b> .....78 Rotating Corner Base Cabinet with Wood Tray	
<b>BS</b> ..... 98 Base Knick Knack Shelf	
<b>BSQC</b> .....79, 80 Corner Base Cabinet	
<b>BSQC-SS</b> .....79 Easy Reach Corner Base Cabinet with Super Susan	
<b>BTC</b> .....83 Base Transitional Cabinet	
<b>BTL</b> ..... 164 Base Turned Leg	

NOMENCLATURE / ITEM	PAGE #
<b>BUF</b> ..... 59, 60 Blower Units	
<hr/>	
<b>CA</b> ..... 185 Cabinet Angle Molding	
<b>CABINETRYSTAIN</b> ..... 201 Cabinetry Stain	
<b>CAR</b> .....78, 100 Rotating Corner Base Cabinet	
<b>CB</b> ..... 99 Cutting Board	
<b>CB</b> ..... 175 Center Beaded Insert Molding	
<b>CC</b> ..... 160 Carved Corbel	
<b>CCKIT</b> ..... 201 Cabinetry Care Kit	
<b>CCUF</b> ..... 153 Base Cabinet Filler Pull-Outs	
<b>CHB</b> ..... 185 Chair Rail Backer	
<b>CHR</b> ..... 186 Chair Rail Molding	
<b>CIC</b> ..... 182 Cove Inside Corner Molding	
<b>CLEET</b> ..... 191 Cleat	
<b>CLR</b> ..... 183 Cove Light Rail Molding	
<b>COAM</b> .....177 Colonial Accent Molding	
<b>COB</b> ..... 178 Colonial Base Molding	
<b>COC</b> ..... 179 Colonial Casing Molding	
<b>COI</b> ..... 175 Colonial Insert Molding	
<b>COLR</b> ..... 183 Colonial Light Rail Molding	
<b>COVAL</b> .....172 Colonial Valances	
<b>CRM</b> ..... 180 Crown Moldings	
<b>CRVAL</b> .....172 Crown Valances	
<b>CS</b> ..... 158 Counter Support	
<b>CSC</b> ..... 179 Clam Shell Casing Molding	

NOMENCLATURE / ITEM	PAGE #	NOMENCLATURE / ITEM	PAGE #
<b>CSFFL</b> .....	95	<b>DD-T</b> .....	146
Corner Sink Front Floors		Desk Drawers	
<b>CSF</b> .....	94	<b>DDB</b> .....	145
Corner Sink Fronts		Desk Drawer Cabinets	
<b>CSHM</b> .....	190	<b>DEP</b> .....	169
Colonial Shoe Molding		Desk End Panel	
<b>CTVAL</b> .....	173	<b>DGCW</b> .....	38
Country Valances		Door Cut for Glass Corner Wall Cabinets	
<b>CW</b> .....	38	<b>DGW</b> .....	29, 32
Corner Wall Cabinets		Door Cut for Glass Wall Cabinets	
<b>CWE</b> .....	186	<b>DGW-3</b> .....	35
Cove Wood Edge Molding		Triple Door Cut for Glass Wall Cabinets	
<b>CWS</b> .....	38	<b>DHB</b> .....	206
Corner Wall Cabinets with Lazy Susan		Decorative Hardware Boards	
<hr/>			
<b>DB</b> .....	74	<b>DIM</b> .....	176
Drawer Base Cabinets		Dentil Inlay Molding	
<b>DB-CD</b> .....	75	<b>DIP</b> .....	167
Four Drawer Base Cabinets with Cutlery Divider		Dishwasher Insert Panel	
<b>DB-BK</b> .....	75	<b>DNT</b> .....	175
Four Drawer Base Cabinets with Bread Bin		Dentil Molding	
<b>DB-PDO</b> .....	77	<b>DOA</b> .....	158
Three Drawer Base Cabinets with Pegged Dish Organizer		Decorative Onlay Applique	
<b>DB-SDI</b> .....	77	<b>DOOR.ONLY</b> .....	171
Four Drawer Base Cabinets with Spice Drawer Insert		Doors as Panels	
<b>DB-TCD</b> .....	76	<b>DSB</b> .....	87
Four Drawer Base Cabinets with Tiered Cutlery Divider		Diagonal Sink Base Cabinets	
<b>DB-3</b> .....	74	<b>DST</b> .....	97
Three Drawer Base Cabinets		Deluxe Pull-out Shelf Trays	
<b>DB-3CD</b> .....	76	<b>DST-BD</b> .....	97
Three Drawer Base Cabinets with Cutlery Divider		Butt Door Deluxe Pull-out Shelf Trays	
<b>DB-3BK</b> .....	75	<b>DWR</b> .....	167
Three Drawer Base Cabinets with Bread Kit		Dishwasher End Panel	
<b>DB-3SDI</b> .....	77	<hr/>	
Three Drawer Base Cabinets with Spice Drawer Insert		<b>ED</b> .....	174
<b>DB-3TCD</b> .....	76	Egg and Dart Insert Molding	
Three Drawer Base Cabinets with Tiered Cutlery Divider		<hr/>	
<b>DBD</b> .....	145	<b>FA</b> .....	162
Single Door and Drawer Desk Base Cabinets		Fluted Aster Block	
<b>DBR</b> .....	84	<b>FBAF</b> .....	156
Drawer Base Range Cabinets		Fluted Beaded Angle Fillers	
<b>DBR-PDO</b> .....	85	<b>FBF</b> .....	156
Drawer Base Range Cabinets with Pegged Dish Organizer		Fluted Beaded Fillers	
<b>DCB</b> .....	145	<b>FBM</b> .....	178
Desk Computer Base Cabinet		Furniture Base Molding	
<b>DCG</b> .....	51	<b>FCL</b> .....	165
Doors Cut for Glass		French Carved Leg	
<b>DCGC</b> .....	51	<b>FDB</b> .....	145
Corner Doors Cut for Glass		File Drawer Base Cabinet	



NOMENCLATURE / ITEM	PAGE #	NOMENCLATURE / ITEM	PAGE #
<b>FDK</b> .....	60	<b>HCBLB</b> .....	134
Blower Unit Accessories		Universal Access Accessible Blind Base Cabinets	
<b>FL</b> .....	95	<b>HCB-FH</b> .....	131
Sink Front Floors		Universal Access Accessible Full Height Base Cabinets	
<b>FP</b> .....	162	<b>HCCAR</b> .....	132
Fluted Plinth Block		Universal Access Accessible Rotating Corner Base Cabinet	
<b>FPS</b> .....	171	<b>HCDB</b> .....	132
Finished Plywood Shelf		Universal Access Accessible Triple Drawer Base Cabinets	
<b>FPUTTY</b> .....	201	<b>HCOV</b> .....	136
Touch-up Putty		Universal Access Accessible Oven Cabinets	
<b>FRB</b> .....	162	<b>HCPC</b> .....	136
Fluted Rosette Block		Universal Access Accessible Single Door Pantry Cabinets	
<b>FS</b> .....	169	<b>HCSB</b> .....	135
Finished Skin		Universal Access Accessible Sink Base Cabinets	
<hr/>			
<b>G</b> ___ .....	196-198	<b>HCSB-PS</b> .....	134
Decorative Glass Inserts		Universal Access Sink Base Plumbing Skirts	
<b>G</b> ___ <b>SHELF</b> .....	199	<b>HCSB-FH</b> .....	132
Glass Shelves		Universal Access Accessible Full Height Base Cabinets	
<b>GCL</b> .....	160	<b>HCUC</b> .....	136
Grape Corbel		Universal Access Accessible Utility Cabinets	
<b>GCM</b> .....	160	<b>HSK</b> .....	113
Grape Series Corbel		Heat Shield Kit	
<b>GlassClips</b> .....	197	<b>HWSB-PS</b> .....	88
Decorative Glass Insert Clips		Hanging Wall Sink Base Plumbing Skirts	
<b>GlassRetainer</b> .....	197	<hr/>	
Vinyl Retainer for Decorative Glass Inserts		<b>ICM</b> .....	186
<b>GDO</b> .....	160	Inside Corner Molding	
Grape Decorative Onlay		<b>IV</b> .....	174
<b>GP</b> .....	170, 171	Ivy Molding	
Grooved Paneling		<hr/>	
<hr/>			
<b>HAB</b> .....	137	<b>LBES</b> .....	168
Universal Access Adaptable Base Cabinets		Base Cabinet End Skins (Laminate)	
<b>HABLB</b> .....	138	<b>LGBC</b> .....	180
Universal Access Adaptable Blind Base Cabinets		Large Bead Cove Crown Molding	
<b>HABMC</b> .....	139	<b>LGCC</b> .....	180
Universal Access Adaptable Base Microwave Cabinet		Large Cove Crown Molding	
<b>HACAR</b> .....	138	<b>LM</b> .....	186
Universal Access Adaptable Rotating Corner Base Cabinet		Library Molding	
<b>HADB</b> .....	138	<b>LOCM</b> .....	187
Universal Access Adaptable Three Drawer Base Cabinets		Large Outside Corner Molding	
<b>HASB</b> .....	139	<b>LPLR</b> .....	183
Universal Access Adaptable Sink Base Cabinets		Low Profile Acanthus Light Rail Molding	
<b>HASB-REM</b> .....	139	<b>LR</b> .....	183
Universal Access Adaptable Sink Base Cabinets with Removable Fronts		Light Rail Molding	
<b>HCB</b> .....	133	<b>LTES</b> .....	168
Universal Access Accessible Base Cabinets		Oven Cabinet End Skins (Laminate)	
		<b>LWES</b> .....	168
		Wall Cabinet End Skins (Laminate)	

NOMENCLATURE / ITEM	PAGE #	NOMENCLATURE / ITEM	PAGE #
<b>MASC</b> .....	159	<b>ORG</b> .....	144
Medium Acanthus Capital		Organizers	
<b>MB</b> .....	200	<b>OUF</b> .....	150
Mini Base Cabinet Sample		Utility Cabinet Filler Overlays	
<b>MCL</b> .....	161	<b>OUF</b> .....	150
Mission Corbel		Wall Cabinet Filler Overlays	
<b>MC</b> .....	41	<b>OV</b> .....	112
Microwave Cabinet		Oven Cabinets	
<b>MCM</b> .....	161	<b>OVAL</b> .....	173
Mission Series Corbel		Straight Valance Overlays	
<b>MCR</b> .....	126	<b>OVF</b> .....	155
Medicine Cabinet (Recessed)		Desk Drawer Filler Overlay	
<b>MCS</b> .....	41	<b>OVF</b> .....	155
Microwaves with Shelf		Vanity Cabinet Filler Overlays	
<b>MCW</b> .....	38	<b>OWF</b> .....	151, 152
Mullion Door Corner Wall Cabinets		Wall Cabinet Filler Overlays	
<b>MD</b> .....	46		
Mullion Doors			
<b>MDC</b> .....	46	<b>PB</b> .....	82
Corner Mullion Doors		Peninsula Base Cabinets	
<b>MDO</b> .....	161	<b>PBC</b> .....	82
Mission Decorative Onlay		Double Door and Drawer Peninsula Base Corner Cabinet	
<b>MW</b> .....	32, 34	<b>PBP</b> .....	169
Mullion Door Wall Cabinets		Peninsula Base Cabinet Back Panel	
<b>MW-3</b> .....	35	<b>PC</b> .....	110
Triple Mullion Door Wall Cabinets		Pantry Cabinets	
		<b>PC-DST</b> .....	111
		Pantry Cabinets with 4-Deluxe Shelf Trays	
<b>OBCF</b> .....	154	<b>PCSK</b> .....	106
Blind Corner Base Cabinet Filler Overlay		Pantry Cabinet Swing Out Shelf Kit	
<b>OBF</b> .....	153	<b>PCDS</b> .....	106
Base Cabinet Filler Overlays		Pantry Cabinet Door Shelves	
<b>OBLB</b> .....	155	<b>PDGW</b> .....	37
Blind Base Cabinet Filler Overlay		Door Cut for Glass Peninsula Wall Cabinets	
<b>OBLBF</b> .....	153	<b>PLYL</b> .....	168
Base Cabinet Filler Overlays		Long Grain Panel	
<b>OBLW</b> .....	155	<b>PLYS</b> .....	167
Blind Wall Cabinet Filler Overlays		Short Grain Panel	
<b>OBLWF</b> .....	150, 151	<b>PMW</b> .....	37
Blind Wall Cabinet Filler Overlays		Mullion Door Peninsula Wall Cabinets	
<b>OCM</b> .....	187	<b>PPO</b> .....	103
Outside Corner Moldings		Tall Pantry Pull Out Cabinets	
<b>ODWR</b> .....	167	<b>PSTICK</b> .....	201
Dishwasher End Panel Overlays		Putty Stick	
<b>OGB</b> .....	178	<b>PW</b> .....	37
Furniture Ogee Base Molding		Peninsula Wall Cabinets	
<b>OGI</b> .....	175		
Ogee Insert Molding			
<b>OLAY</b> .....	113	<b>QR</b> .....	190
Oven Cabinet Overlays		Quarter Round	
<b>OREP</b> .....	166		
Refrigerator End Panel Overlays			

NOMENCLATURE / ITEM	PAGE #	NOMENCLATURE / ITEM	PAGE #
<b>RCM</b> .....	181	<b>SB-RT</b> .....	84
Royal Crown Molding		Sink Base Cabinets for Range Top	
<b>REP</b> .....	166	<b>SB-TB</b> .....	91, 92
Refrigerator End Panels		Sink Base Cabinets with Towel Bar	
<b>RIM</b> .....	176	<b>SB-TOT</b> .....	89
Rope Inlay Molding		Sink Base Cabinets with Tilt-Out Trays	
<b>RPI</b> .....	175	<b>SB-TOTDT</b> .....	90
Rope Molding		Sink Base Cabinets with Tilt-Out Trays and Drip Tray Insert	
<b>RSP</b> .....	163	<b>SB-TOTSS</b> .....	90
Roman Spindle		Sink Base Cabinets with Stainless Steel Tilt-Out Trays	
<hr/>			
<b>SAG</b> .....	55	<b>SB-TOTSSDT</b> .....	91
Straight Appliance Garages		Sink Base Cabinets with Stainless Steel Tilt-Out Trays and Drip Tray Insert	
<b>SAMPLEBAGECH</b> .....	200	<b>SB-TOTSSTB</b> .....	92
Door Sample Bag		Sink Base Cabinets with Stainless Steel Tilt-Out Trays and Towel Bar	
<b>SAMPLECASEECH</b> .....	200	<b>SBD</b> .....	93
Door Sample Carrying Case		Double Door Sink Base Deluxe Cabinets	
<b>SAMPLEDOOR</b> .....	199	<b>SBD-BD</b> .....	93
Door Sample		Butt Door Sink Base Deluxe Cabinet	
<b>SB</b> .....	86, 88	<b>SBI</b> .....	176
Sink Base Cabinets		Single Bead Insert Molding	
<b>SBAM</b> .....	177	<b>SC</b> .....	181
Single Bead Accent Molding		Soffit Crown Molding	
<b>SB-BD</b> .....	86	<b>SCD</b> .....	26
Butt Door Sink Base Cabinets		Soft-Close Drawer Upgrade	
<b>SB-BDDT</b> .....	89	<b>SCM</b> .....	187, 188
Butt Door Sink Base Cabinets with Drip Tray Insert		Scribe Molding	
<b>SB-BDTB</b> .....	91	<b>SCVAL</b> .....	173
Butt Door Sink Base Cabinets with Towel Bar		Scalloped Valances	
<b>SB-BDTOT</b> .....	89	<b>SD</b> .....	54
Butt Door Sink Base Cabinets with Tilt-Out Tray		Apothecary Spice Drawers	
<b>SB-BDTOTDT</b> .....	90	<b>SF</b> .....	94
Butt Door Sink Base Cabinets with Tilt-Out Tray and Drip Tray Insert		Sink Fronts	
<b>SB-BDTOTSS</b> .....	90	<b>SF-BD</b> .....	94
Butt Door Sink Base Cabinets with Stainless Steel Tilt-Out Tray		Butt Door Sink Fronts	
<b>SB-BDTOTSSDT</b> .....	91	<b>SFCC</b> .....	182
Butt Door Sink Base Cabinets with Stainless Steel Tilt-Out Tray and Drip Tray Insert		Soffit Cove Molding	
<b>SB-BDTOTSSTB</b> .....	92	<b>SFR</b> .....	95
Butt Door Sink Base Cabinets with Stainless Steel Tilt-Out Tray and Towel Bar		Sink Front Return	
<b>SB-DT</b> .....	89	<b>SGH</b> .....	54
Sink Base Cabinets with Drip Tray Insert		Stem Glass Holder	
<b>SB-FS</b> .....	87	<b>SGO</b> .....	154
Farm Sink Base Cabinets		Small Grape Ornament	
<b>SB-REM</b> .....	87	<b>SHC</b> .....	181
Sink Base Cabinets with Removable Front		Shaker Crown Molding	
		<b>SHM</b> .....	190
		Shoe Molding	

NOMENCLATURE / ITEM	PAGE #	NOMENCLATURE / ITEM	PAGE #
<b>SMBC</b> .....	181	<b>TCM-S</b> .....	189
Small Bead Cove Crown Molding		Top Edge Traditional Crown Molding	
<b>SMCC</b> .....	181	<b>TD</b> .....	98
Small Cove Crown Molding		Tray Divider	
<b>SOA</b> .....	158	<b>TDO</b> .....	161
Shell Applique		Traditional Decorative Onlay	
<b>SPLTBLK</b> .....	165	<b>TFC</b> .....	157
Split Block		Tall Fluted Column	
<b>SPLTCLR</b> .....	165	<b>TGE</b> .....	170
Split Collar		Tall Grooved End Panel	
<b>SPLT-F</b> .....	163	<b>TKCAP</b> .....	191
Fluted Split Post		Toe Kick Cap	
<b>SPLT-P</b> .....	163	<b>TKS</b> .....	191
Plain Split Post		Toe Kick Skins	
<b>SR</b> .....	188	<b>TLR</b> .....	184
Spline Return		Traditional Light Rail Molding	
<b>SRRCM</b> .....	188	<b>TPC</b> .....	157
Spline Return		Tall Plain Column	
<b>ST</b> .....	96, 135	<b>TPL</b> .....	165
Shelf Trays (pull out)		Tapered Shaker Leg	
<b>ST-BD</b> .....	96, 135	<b>TSP</b> .....	163
Shelf Trays Butt Door (pull out)		Traditional Split Post	
<b>STM</b> .....	188	<b>TUMARKER</b> .....	201
Starter Trim Molding		Touch Up Marker	
<b>STVAL</b> .....	173	<b>TWE</b> .....	189
Straight Valances		Traditional Wood Edge Molding	
<b>SVF</b> .....	199		
Vanity Cabinet Sample Front			
<b>SWI</b> .....	174	<b>UC</b> .....	103, 104, 105
Swirl Insert Molding		Utility Cabinets	
<b>SWF</b> .....	200	<b>UCF</b> .....	108, 109
Wall Cabinet Sample Front		Utility Cabinet Fronts	
		<b>UCFR</b> .....	166
		Utility Cabinet Front Returns	
<b>TASC</b> .....	159	<b>UCS</b> .....	107
Tall Acanthus Capital		Utility Cabinet Shelves	
<b>TB</b> .....	176	<b>UF</b> .....	153
Triple Beaded Insert Molding		Base Cabinet Fillers	
<b>TBAM</b> .....	177	<b>UF</b> .....	149
Triple Bead Accent Molding		Utility Cabinet Fillers	
<b>TBI</b> .....	176	<b>UF</b> .....	150
Triple Bead Insert Molding		Wall Cabinet Fillers	
<b>TCD</b> .....	98	<b>UREP</b> .....	166
Tiered Cutlery Divider Kits		Universal Refrigerator End Panel	
<b>TCL</b> .....	160	<b>UTP</b> .....	189
Traditional Series Corbel		Universal Trim Piece	
<b>TCM</b> .....	160	<b>UF-S</b> .....	153
Traditional Series Corbel		Base Cabinet Solid Wood Fillers	

NOMENCLATURE / ITEM	PAGE #
<b>UF-S</b> ..... 149 Utility Cabinet Solid Wood Fillers	
<b>UF-S</b> ..... 150 Wall Cabinet Solid Wood Fillers	
<b>V</b> ..... 117, 118, 119 21" Deep Vanity Cabinets	
<b>V-BD</b> ..... 117 21" Deep x 32-1/2" High Butt Door Vanity Sink Cabinets	
<b>V-BDH</b> ..... 117 21" Deep x 34-1/2" High Butt Door Vanity Sink Cabinets	
<b>V-H</b> ..... 117, 118, 119 21" Deep x 34-1/2" High Vanity Cabinets	
<b>VB</b> ..... 122, 123 21" Deep Vanity Drawer Sink Cabinets	
<b>VB-BD</b> ..... 120 21" Deep Butt Door Vanity Drawer Sink Cabinets	
<b>VB-BDH</b> ..... 120 21" Deep x 34-1/2" High Butt Door Vanity Drawer Sink Cabinets	
<b>VB-H</b> ..... 120, 122, 123 21" Deep x 34-1/2" High Vanity Drawer Sink Cabinets	
<b>VBES</b> ..... 168 Base Cabinet End Skins (Oak, Maple & Cherry)	
<b>VBP</b> ..... 127 Vanity Base Panel	
<b>VBP-S</b> ..... 127 Vanity Base Solid Wood Panel	
<b>VCDB</b> ..... 125 Combo Vanity Base Cabinets	
<b>VCDB-H</b> ..... 125 34-1/2" High Combo Vanity Base Cabinets	
<b>VD</b> ..... 123 21" Deep Vanity Drawer Sink Cabinets	
<b>VD-H</b> ..... 123 21" Deep x 34-1/2" High Vanity Drawer Sink Cabinets	
<b>VDB</b> ..... 124, 125 21" Deep Vanity Double Sink Base Cabinets	
<b>VDB</b> ..... 121 21" Deep Vanity Drawer (3) Cabinets	
<b>VDB-H</b> ..... 124, 125 21" Deep x 34-1/2" High Vanity Double Sink Base Cabinets	
<b>VDB-H</b> ..... 121 21" Deep x 34-1/2" High Vanity Drawer (4) Cabinets	
<b>VDD-T</b> ..... 127 21" Deep Single Vanity Drawers	
<b>VKDT</b> ..... 127 Vanity Knee Hole Drawers	

NOMENCLATURE / ITEM	PAGE #
<b>VMD</b> ..... 127 Make Up Drawer	
<b>VOVES</b> ..... 168 Oven Cabinet End Skins (Oak, Maple & Cherry)	
<b>VSF</b> ..... 126 Vanity Sink Fronts	
<b>VSS</b> ..... 117 16" Deep Vanity Cabinets	
<b>VW</b> ..... 126 Vanity Wall Cabinet	
<b>VWES</b> ..... 168 Wall Cabinet End Skins (Oak, Maple & Cherry)	
<b>W</b> ..... 40 Refrigerator Wall Cabinets	
<b>W</b> ..... 32, 34, 35 Wall Cabinets	
<b>W-3</b> ..... 35 Triple Door Wall Cabinets	
<b>W-BD</b> ..... 33 Butt Door Wall Cabinets	
<b>WC</b> ..... 54 Wine Cube	
<b>WDE</b> ..... 42 Wall Cabinet Decorative End Panels	
<b>WEC</b> ..... 39 Wall End Cabinets	
<b>WFC</b> ..... 157 Fluted Wall Columns	
<b>WGE</b> ..... 170 Wall Grooved End Panel	
<b>WH</b> ..... 60 Wood Hoods (Wood Hood Blower Units: See pages 54-55)	
<b>WHAC</b> ..... 56 Wood Hood Arched Chimneys	
<b>WHC</b> ..... 56 Wood Hood Chimneys	
<b>WHCS</b> ..... 57 Wood Hood Chimney Stacks	
<b>WHCV</b> ..... 58 Coved Wood Hoods	
<b>WHM</b> ..... 56 Wood Hood Mantles	
<b>WHPAC</b> ..... 57 Peninsula Arched Wood Hood Chimney	
<b>WHPC</b> ..... 57 Peninsula Wood Hood Chimney	

NOMENCLATURE / ITEM	PAGE #	NOMENCLATURE / ITEM	PAGE #
<b>WOC</b> .....	39	<b>XLBC</b> .....	182
Open Wall Cabinets		Extra Large Bead Cove Crown Molding	
<b>WPC</b> .....	157	<b>XLCC</b> .....	182
Plain Wall Columns		Extra Large Cove Crown Molding	
<b>WR</b> .....	53		
Wine Racks			
<b>WS</b> .....	55		
Wall Knick Knack Shelves			
<b>WSC</b> .....	53		
Wine Storage Cube			
<b>WSQC</b> .....	39		
Square Corner Wall Cabinet			

## CARING FOR YOUR NEW WOOD ECHELON CABINETRY PRODUCTS

Congratulations! We know you have a choice in selecting kitchen cabinetry and appreciate your interest in our brand. With proper care, your Echelon Cabinetry products will deliver years of beauty, enjoyment, and convenience.

This Echelon Cabinetry Care Guide will assist you in choosing the correct products to protect your cabinets from normal wear and to repair any imperfections if they should occur.

Echelon Cabinetry products are constructed of quality materials and finished with superior coatings. They have undergone rigorous testing prior to shipping. This is your assurance that Echelon Cabinetry products will maintain their attractive finish and structural soundness throughout the years of normal everyday use.

As with any product constructed of wood, taking the time to care for your new cabinets can go a long way in keeping them looking their best. Here are a few simple suggestions to make your cabinet care easier.

- Clean cabinets as needed with a mild detergent or with soap and water (Murphy's Oil Soap) and dry well using a lint-free cloth for both washing and drying.
- Wipe up spills, splatters and water spots as they occur, keeping cabinets and countertop surfaces dry.
- Give special attention to areas near the sink and dishwasher that come in contact with moisture.
- Use cleaners and polishes designed for wood cabinets and clean all surfaces as needed.

## STOPPING PROBLEMS BEFORE THEY OCCUR

Do not use abrasive cleaners, scouring pads, or powdered cleaners. These materials may penetrate the cabinet finish allowing moisture to enter and cause deterioration.

- **Do not** use aerosol sprays containing silicones or paste waxes.
- **Do not** leave a wet cloth on or near cabinets for extended periods of time.
- **Do not** allow oven cleaners or other caustic cleaners to touch the cabinets.
- **Do not** spray or clean cabinets with glass cleaners.

## REMEDIES FOR COMMON KITCHEN ACCIDENTS

Most problems can be prevented by wiping up any spills as soon as they occur. Follow these first aid suggestions for common household accidents. When removing a spot begin at the outer edge and work toward the middle to prevent the spot from spreading.

### **Food Spots/Water Spots**

Clean cabinets as needed with a mild detergent or with soap and water (use sparingly) and dry well using a lint free cloth for both washing and drying.

### **Greasy Spots**

Rub grease, lipstick, crayon, or oil with a damp cloth. Use cleaners and polishes designed for wood cabinets and clean all surfaces as needed.

### **Chewing Gum/Candle Wax**

Apply a plastic bag filled with ice on top of the deposit until it is brittle enough to crumble off.

### **Minor Scratches, Nicks, and Dents**

Echelon Cabinetry offers a Cabinetry Care Kit to help you keep your Echelon Cabinetry products looking like new. Most scratches, nicks, and dents can be repaired using this kit. The Cabinetry Care Kit includes (1) a touch-up marker to re-stain small scratches and (2) a putty stick to fill nail holes, minor nicks, and dents.

Customers who need to re-stain larger areas of a cabinet may also order a quart of touch-up stain.

Both of these items can be ordered through your local Echelon Cabinetry dealer or the Echelon Cabinetry customer service department.

## PAINTED FINISH DISCLAIMER

Echelon Cabinetry painted and glazed finishes are applied using the same quality standards as all of our other finishes. Painted cabinet products have unique characteristics that differ from other finishes but are not considered manufacturer quality defects:

- Wood of all species is hygroscopic, meaning that it is subject to the humidity and temperature of its environment. It will lose or gain moisture and consequently shrink or swell depending on the environment. Even protective coatings cannot prevent this movement; they merely impede the process. As humidity increases, the moisture content increases, and wood expands. As humidity decreases, the moisture content decreases, and the wood will actually shrink. Therefore, painted wood cabinetry should be expected to "shift" during the various shifts in weather throughout the year. Changes in temperature that naturally occur from season to season (especially humidity or prolonged moisture) will cause movement in hardwood products, such as hairline cracks, peeling, or separation. These types of movement are widely accepted as normal in the kitchen cabinet industry and not considered quality defects. Wood may expand and contract differently from cabinet to cabinet and from joint to joint within the same cabinet. Consequently, some cabinet joints may not show any effects of humidity, while others may show varying degrees of cracking or peeling. These shifts may also occur due to the repeated impacts from normal everyday use.
- Echelon Cabinetry offers painted finish on both birch and maple products. Birch wood's natural grain pattern is more open and porous than maple. As a result, some of the grain pattern and other characteristics, such as mineral streaks, pitch pockets, checks and pin knots, will remain visible through the painted finish. On painted birch, the finish will take on the texture of the birch graining characteristics and will not have a filled smooth surface. Glazes, when used on birch, may also hang up on the grain and present a muddy or dirty appearance. These finish variations are normal and are not considered quality defects.
- As painted cabinet products age the finish may mellow or discolor slightly. The degree of change to the original finish color is affected by your products' exposure to natural and artificial light. This is a normal characteristic of painted furniture and cabinetry and not considered a quality defect.

Due to these natural and environmental factors, Echelon Cabinetry cannot be held responsible for naturally occurring changes experienced by the wood in our cabinets.

*See the back of this specification book for the Echelon Cabinetry Product Disclosure form. Tear it out and make copies to issue to your customers. These disclosure forms are designed to be signed by the end consumer and kept in your records. Painted finish disclosure acknowledgement forms do not need to be included with your orders or submittals.*



## HUMIDIFICATION DISCLAIMER – RELATING TO WOOD PRODUCTS

The natural process of expansion and contraction occurring in wood kitchen cabinets is not new or exclusive to ACPI cabinetry. Wood of all species is hygroscopic, meaning that it is subject to the humidity and temperature of its environment. It will lose or gain moisture and consequently shrink or swell depending on the environment. Even protective coatings cannot prevent this movement; they merely impede the process.

As humidity increases, the moisture content increases, and wood expands. As humidity decreases, the moisture content decreases, and the wood will actually shrink.

MOISTURE CONTENT VS. RELATIVE HUMIDITY	
RELATIVE HUMIDITY	MOISTURE CONTENT
0%	0%
25%	5%
50%	9%
75%	14%
99%	23-30%

Source: <http://www.forestprod.org/cdromdemo/wd/wd4.html>

As an example, if the wood product is measured to have a moisture content of 10% and is exposed to 25% relative humidity, one can expect the wood to dry to 5% moisture content and shrink as it dries.

The only way to accurately predict wood movement is to know the moisture content of the material when you receive it. Moisture content is measured using a moisture meter.

Wood may expand and contract differently from cabinet to cabinet and from joint to joint within the same cabinet. Therefore, painted & stained wood cabinetry should be expected to "shift" during the various shifts in weather throughout the year.

Changes in temperature that naturally occur from season to season (especially humidity or prolonged moisture) will cause movement in hardwood products, such as hairline cracks or separation. These issues are more common near joint areas and panel components.

## COMMON EFFECTS TO JOINTS AND PANELS DUE TO TEMPERATURE FLUCTUATION



### HEATING SEASON

- Stain or paint gaps
  - Panel shrinks
- As wood shrinks, mitered joints may create cracks from the inner corner



### HIGH HUMIDITY

- Panel swells
- As wood expands, mitered joints may create cracks from the outer corner



Homes in most of the U.S. that lack humidity control typically experience interior levels of humidity from 25% relative humidity to 65% relative humidity. This range of humidity will cause a 6% change in the moisture content of the wood.

Source: [http://www.woodweb.com/knowledge\\_base/A\\_Finish\\_Carpenters\\_Guide\\_to\\_Understanding.html](http://www.woodweb.com/knowledge_base/A_Finish_Carpenters_Guide_to_Understanding.html)

Wood products, especially cabinet doors and drawer fronts, absorb excess moisture in the air and can expand. Improper storage can cause minor changes to the size of these materials. These changes in size that occur due to storing in this environment are not covered by ACPI warranty. Therefore, we encourage you to take the following precautionary steps to help protect your cabinets from changes in humidity.

- Never store cabinets in a moist environment.
- Wipe off any excess moisture from cabinet surfaces as soon as possible.
- Store and install cabinets in a dry and conditioned environment. If you are installing product that has recently been transported, it may take a little while for the wood to acclimate to its new climate humidity – some expansion or shrinkage may occur.
- Monitor the humidity inside the home. Reasonably accurate digital thermometers-hygrometers units are available to measure humidity. Wood will continue to equalize with the surrounding moisture content found in the air despite a finish. It takes several days to several weeks before the wood returns to normal after any correction in the environment.

These steps will help hinder the effect of humidity on your cabinets; however, there is no process to prevent these effects entirely. Please reference our Cabinetry Care guidelines for additional information ways to maintain the beauty and integrity of your ACPI cabinets for years to come.

## LIMITED LIFETIME AND LIMITED 5-YEAR WARRANTY

### For cabinetry purchased on or after April 1, 2016.

ACProducts, Inc. (ACPI) warrants to the original consumer purchaser that our Echelon Cabinetry will be free from defects in material and workmanship under normal use for a period of five (5) years from the date of purchase or as per written agreement. This warranty is extended to the original purchasing consumer only for use of the product within the United States and is not transferrable. No changes or modifications can be made to this warranty except by an officer of ACProducts, Inc.

### WARRANTY COVERAGE

**Limited 5-Year Warranty on Cabinets** to the original purchasing consumer from date of original purchase or as per written agreement that the cabinets will be free from defects in material and workmanship under normal use.

**Limited Lifetime Warranty on Drawer Guides and Hinges** to the original purchasing consumer as long as they own the product that the drawer guides and hinges shall be free from defects in material and workmanship under normal use.

### WARRANTY LIMITATIONS AND EXCLUSIONS

- This Warranty does not apply to (i) damage caused by improper installation, (ii) other product used or installed in connection with the cabinets including, but not limited to, appliances, countertops, or plumbing fixtures (including the costs to remove and reinstall such other product), (iii) product damage, loss, or theft either after delivery for material only jobs or after installation for installed jobs, or (iv) damage caused by misuse, abuse, neglect, accident, alteration, improper use, exposure to moisture or extreme temperatures, failure to maintain, acts of God, or normal wear and tear.
- Naturally occurring wood characteristics including, but not limited to, variations in color, grain pattern, mineral streaks and knots are not considered defects. Color variations may also be affected by age, character of cabinets, and exposure to UV light, sunlight, smoke, household cleaners, and other environmental conditions. As such, new and/or replacement cabinets may not match display samples and/or existing cabinets. Any such variations and changes to Echelon Cabinetry products, whether present during production or which develop over time, are not considered quality defects and are not covered by this warranty.
- Painted finishes have unique characteristics that differ from standard wood finishes. Wood of all species is subject to the humidity and temperature of its environment and may expand or contract due to changes in weather, temperature, or climate. Due to these normal shifts in the environment, painted wood cabinetry may develop hairline cracks, peeling, or separation or seam lines. On select hardwoods and veneers, joints, seams, and some natural characteristics of the wood (including, but not limited to, grain patterns, knots, and mineral streaks) will remain visible through painted finishes. As painted cabinet products age, the finish may mellow or discolor slightly. The degree of change to the original finish color is affected by the products' exposure to natural and artificial light. These normal variations are not considered quality defects and are not covered by this warranty.



### WARRANTY PERFORMANCE

In the event of a manufacturing defect within the terms and conditions set forth herein, ACPI will repair or replace the product, at ACPI's sole option, without charge. Such repair or replacement is contingent upon the current product offerings within the ACPI product line at the time of the warranty claim. If the affected product is no longer available, ACPI reserves the right to (i) replace the affected component with a new component of the same style, or (ii) replace the affected component and any other component within the total product to achieve a uniform appearance with a similar and comparable product style and quality as the original product. Due to changes that occur during the wood's natural aging process, ACPI cannot guarantee that replacements will exactly match the finish and appearance of the remaining components in the original product. ACPI will not provide or pay for the cost of (i) removal of defective product, (ii) transportation of defective, repaired, or replaced product, or (iii) installation of repaired or replaced product. Repaired or replaced product shall be warranted for a period equal to the remainder of the original Limited Warranty on the original product or for ninety days, whichever is longer.

### WARRANTY DISCLAIMER

**THIS LIMITED WARRANTY SETS OUT THE FULL EXTENT OF ACPI'S RESPONSIBILITIES, AND THE EXCLUSIVE REMEDY REGARDING THE PRODUCTS. ALL IMPLIED WARRANTIES, INCLUDING WITHOUT LIMITATION, IMPLIED WARRANTIES OF MERCHANTABILITY AND FITNESS FOR A PARTICULAR PURPOSE, ARE LIMITED TO THE DURATION OF THIS LIMITED WARRANTY. IN NO EVENT SHALL ACPI BE LIABLE FOR DAMAGES IN EXCESS OF THE PURCHASE PRICE OF THE PRODUCT OR FOR, WITHOUT LIMITATION, COMMERCIAL LOSS OF ANY SORT; LOSS OF USE, TIME, DATA, REPUTATION, OPPORTUNITY, GOODWILL, PROFITS OR SAVINGS; INCONVENIENCE; INCIDENTAL, SPECIAL, CONSEQUENTIAL OR PUNITIVE DAMAGES; OR DAMAGES ARISING FROM THE USE OR INABILITY TO USE THE PRODUCT. SOME STATES AND JURISDICTIONS DO NOT ALLOW LIMITATIONS ON HOW LONG AN IMPLIED WARRANTY LASTS, OR THE DISCLAIMER OR LIMITATION OF INCIDENTAL OR CONSEQUENTIAL DAMAGES, SO THE ABOVE LIMITATIONS AND DISCLAIMERS MAY NOT APPLY TO YOU.** All disputes with ACPI arising in any way from this Limited Warranty or the sale, condition or performance of the Products shall be resolved exclusively through final and binding arbitration, and not by a court or jury.

### SEVERABILITY

If any portion of this Limited Warranty is held to be illegal or unenforceable, such partial illegality or unenforceability shall not affect the enforceability of the remainder of the Limited Warranty.

### CLAIMS

All claims must be submitted in writing and must specify the defects present in the cabinets and accessories. To initiate a claim for defective cabinets and accessories contact your builder, dealer, distributor or contractor who installed and sold the product. If that party is unknown or you have difficulty obtaining assistance, contact:

ACProducts, Inc., Customer Service Dept., 3551 Plano Parkway, Suite 200, The Colony, Texas 75056

After ACPI has had an opportunity to inspect the cabinets and accessories, they will, at their discretion either replace defective cabinets and accessories or repair any defects in the cabinets and accessories.

*For warranty information on cabinetry purchased between November 1, 2012 and March 31, 2016, please visit [www.echeloncabinetry.com/warranties](http://www.echeloncabinetry.com/warranties).*

©2016 ACPI All rights reserved.

## TERMS AND CONDITIONS FOR ALL SALES OF GOODS

1. **Terms and Conditions of Sale.** This Agreement shall cover all materials delivered to Purchaser, by Seller, at Purchaser's request, whether specifically itemized herein or not. If not itemized herein such materials shall be invoiced to Purchaser at Seller's prevailing price at time of delivery. Any receipt signed by any watchman or employee of Purchaser, owner, general contractor, carpenter contractor, or any other authorized agent shall be sufficient evidence of delivery. All orders are subject to the terms and conditions set forth in this Agreement and Seller's warranty in effect as of the date of delivery.
2. **Warranty Summary.** Seller warrants that the products delivered pursuant to this Agreement will be free from defects in material and workmanship at the time of delivery or, if installation is included, upon installation. **SELLER SPECIFICALLY DISCLAIMS ALL OTHER EXPRESSED OR IMPLIED WARRANTIES, INCLUDING THE IMPLIED WARRANTIES OF MERCHANTABILITY OR FITNESS FOR A PARTICULAR PURPOSE.** No affirmation of fact or promise made by Seller, its agents or employees shall constitute a warranty. Seller's obligation with respect to the products sold herein shall be limited to furnishing repair or replacement materials for factory defective materials at ACPI's sole option or reinstallation if applicable. Under no circumstances shall any back charges be rendered by Purchaser without Seller's prior written consent.
3. **Nonconforming Shipments.** Any claim for defective goods, errors, transit damages or shortages shall be presented in writing by Purchaser to Seller within five (5) days from receipt of goods by Purchaser, but no claim shall be made by Purchaser for incidental, indirect, special, or consequential damages. Seller is not responsible for damage after (i) delivery for material only jobs or (ii) installation for installed jobs. Defective product will be handled in accordance with Seller's Standard Limited Warranty. For further information on ACPI's Warranty, see the brand's official website for the products purchased.
4. **Storage Fee.** All orders must be picked up or received by Purchaser (if Seller is delivering the order) within thirty (30) days from the date Seller provides notice to Purchaser that the order is at the delivery point. Seller will apply a \$20.00 per day storage fee to Purchaser's account for any order not picked up or received within the 30-day period, and the order will not be released until such storage fee is paid.
5. **Undelivered Orders.** Orders left at the delivery point, or not accepted for delivery, for more than 60 days after notice to Purchaser that the order is available, will be cancelled and Purchaser's deposit for Cash Sales will be retained as liquidated damages. Credit Purchasers will be invoiced and liable for an amount equal to 50% of the total order as liquidated damages.
6. **Returns. THERE IS NO CANCELLATION, RETURN OR REFUNDS ON ANY SPECIAL/NON-STOCK ORDERS.** Returns are permitted on stock items that are not damaged and have not been previously installed, and a restocking and handling fee of 25% of the total order will be charged. The product, including the original carton, must be in good condition and accompanied by the sales receipt. Returns must be received by Seller within 14 days of purchase. All transportation costs for returned goods must be paid by Purchaser. On permitted returns, a refund check will be issued within 120 days. There are no cash refunds.
7. **Financial Stability.** If, at any time before shipment, the financial responsibility of Purchaser becomes impaired or unsatisfactory to Seller, in Seller's sole judgment, cash payment or satisfactory security or assurances other than those herein provided may be required by Seller.
8. **Default.** For credit sales, Purchaser agrees that delivery of product under this Agreement is subject to such credit limit placed upon Purchaser's account by Seller's Credit Department. Failure of Purchaser, even after making partial payment on account in accordance herein, to perform any of its obligations under this Agreement shall give Seller the option, upon notice to Purchaser, to suspend shipments or to cancel this Agreement or that portion of it as may remain unexecuted, without prejudice to any other rights or remedies of Seller.
9. **Insurance.** Upon execution of this Agreement and for the duration of the warranty period, Seller shall maintain insurance in accordance with following limits: Commercial General Liability \$1,000,000 each occurrence, \$2,000,000 general aggregate, and \$2,000,000 products/completed operations; Automobile Liability \$1,000,000 combined single limit; Umbrella Liability \$2,000,000 each occurrence and in the aggregate; Worker's Compensation and Employer's Liability \$1,000,000 each accident, each employee, and policy limit.  
Upon Purchaser's written request, Seller shall provide a Certificate of Insurance for the above-mentioned limits. Purchaser and owner (if applicable) may be listed as additional insureds on the General Liability policy only. If endorsement for ongoing operations ISO Form CG2010 (4/13) or endorsement for completed operations ISO Form CG2037 (4/13) are required by Purchaser, such endorsement(s) will be issued in blanket form only. In no event shall limits per project, waiver of subrogation endorsements, umbrella amounts exceeding those set forth above, or primary and noncontributory endorsements apply to this Agreement.
10. **Indemnity; Limitation of Liability.** Purchaser shall indemnify, defend and hold harmless Seller, including its directors, officers, agents and employees, from all claims, losses, damages, expenses (including reasonable attorneys' fees and court costs), and liabilities for injury to or death of any person, or for loss or damage to any real or tangible personal property arising out of the acts or omissions of Purchaser under this Agreement. **IN NO EVENT SHALL SELLER BE LIABLE FOR ANY INCIDENTAL, INDIRECT, SPECIAL OR CONSEQUENTIAL DAMAGES**



**WHETHER OR NOT ADVISED OF THE POSSIBILITY OF SUCH DAMAGES. FURTHER, SELLER'S TOTAL AGGREGATE LIABILITY FOR DAMAGES UNDER OR IN CONNECTION WITH THIS AGREEMENT, REGARDLESS OF THE FORM OF THE ACTION OR THE THEORY OF RECOVERY, SHALL NOT EXCEED THE PRICE PAID BY PURCHASER UNDER THIS AGREEMENT.**

11. **Force Majeure.** Seller shall not be responsible for contingencies beyond its control, such as fire, government seizure or control, acts of God, strikes, factory or labor conditions, or any other unfavorable causes that may or shall prevent shipment at the time or times provided for herein. Quoted delivery dates are Seller's best estimate based on current schedules. Incremental or additional costs incurred by Seller, as a result of Purchaser's alteration of the delivery schedule, will be borne by Purchaser.
12. **Offset.** Purchaser agrees to (i) waive any right to offset, whether under this Agreement or under applicable law or otherwise, any amount owed by Seller to Purchaser against any amount then owed or in the future to be owed by Purchaser to Seller and (ii) pay to Seller the full amount owed to Seller in accordance with the terms of this Agreement. For the avoidance of doubt, Purchaser does not waive any substantive claim (other than with respect to its right to offset as described in the preceding sentence) that it may have against Seller.
13. **Legal Expenses and Collection Costs.** Purchaser shall be liable for all reasonable costs of collection and statutory attorney's fees incurred by Seller by reason of Purchaser's failure to pay on account when due.
14. **Waiver.** Waiver by Seller of any default by Purchaser shall not be deemed a waiver by Seller of any default by Purchaser which may thereafter occur.
15. **Termination.** This Agreement may be terminated by Purchaser only when approved in writing by a duly authorized officer or agent of Seller. In the event of termination, Seller will take immediate steps to mitigate termination costs to Purchaser, but Purchaser shall reimburse Seller for the costs of all labor, overhead and material costs and other commitments made by Seller in reliance upon this Agreement. Insolvency of Purchaser, the filing of a petition in bankruptcy or the commencement of any insolvency or receivership proceeding shall be deemed a termination by Purchaser.
16. **Security Interest.** Seller retains a security interest in the materials and product ordered herein until payment in full has been received.
17. **Ownership of Materials.** Designs, processes, drawings, specifications, reports, photographs, data and other technical or proprietary information relating to this order shall remain the property of Seller, and Purchaser agrees that it will not use any of such items or information therein for the production or procurement from any other source of articles furnished in connection with this order, nor reproduce or otherwise appropriate the same without the prior written authorization of Seller.
18. **Publicity.** Purchaser agrees that it will not disclose or make available to any third party the terms or provisions of this Agreement, including but not limited to the items referred to in paragraph 15, without the prior written authorization of Seller.
19. **Assignment.** Purchaser may not transfer or assign this Agreement without the prior written authorization of Seller.
20. **Order of Precedence.** In the event of a conflict between the terms of this Agreement and any other document presented by Purchaser pursuant to this order, including but not limited to any purchase order issued by Purchaser, the terms of this Agreement shall govern.
21. **Remedies.** Notwithstanding any other provision herein, Seller shall be entitled to seek equitable relief to protect its interests, including but not limited to preliminary and permanent injunctive relief. Nothing herein shall be construed to limit any other remedies available to Seller.
22. **Survival.** Any obligations which by their nature would survive termination of this Agreement, including but not limited to the obligations of confidentiality and indemnification, shall survive such termination.
23. **Severability.** These terms and conditions shall be severable and the invalidity or unenforceability of any of them under any circumstances shall not affect those terms and conditions which are not held to be invalid or unenforceable.
24. **Entire Agreement; Amendment.** These terms and conditions constitute the entire understanding of the parties related to the subject matter hereof and may be amended or modified only by written agreement of the parties to this Agreement.
25. **Governing Law; Jurisdiction.** This Agreement shall be governed by, and interpreted in accordance with, the laws of the State of Texas without giving effect to any choice or conflict of law provision or rule (whether of the State of Texas or any other jurisdiction) that would cause the application of the laws of any jurisdiction other than the State of Texas. Each party agrees (i) that the exclusive jurisdiction for the resolution of any dispute, proceeding, or legal action (jointly "Proceeding") related to this Agreement or the transactions contemplated hereunder shall reside in the state or federal courts located in Dallas, Texas and (ii) not to assert any claim that it is not subject personally to the jurisdiction of such court, that the Proceeding is brought in an inconvenient forum, that the venue of the Proceeding is improper, or that this Agreement may not be enforced in or by such court.

©2016 ACPI All rights reserved.







**CHERRY**

Arborcrest™	.....	Ardmore™ Cherry
Olympus™	.....	Langdon™ Slab Cherry
Olympus™ Arch	.....	Langdon™ Arch Slab Cherry
LaCerise™	.....	Langdon™ 5-PC Cherry
LaCerise™ Arch	.....	Langdon™ Arch 5-PC Cherry

**RUSTIC ALDER**

Arborcrest™ Rustic Alder	.....	Ardmore™ Rustic Alder
LaCerise™ 5-PC	.....	Langdon™ 5-PC Rustic Alder
LaCerise™ Arch 5-PC	.....	Langdon™ Arch 5-PC Rustic Alder
LaCerise™ Slab	.....	Langdon™ Slab Rustic Alder
LaCerise™ Arch Slab	.....	Langdon™ Arch Slab Rustic Alder

**MAPLE**

<b>NEW</b> not available	.....	Ardmore™ Maple
Alton™ 5-PC	.....	Addison™ 5-PC
Alton™ Slab	.....	Addison™ Slab
not available	.....	Bedford™
not available	.....	Belleview™
Berkshire™	.....	Brisbin™
Caruth™	.....	Cheswick™
Calibra™ II	.....	Carlisle™
not available	.....	Freeman™
Leighton™	.....	Lisburn™
Newbury™	.....	Norwich™ Slab
not available	.....	Norwich™ 5-PC
<b>NEW</b> Rutledge™ 5-PC	.....	Rossiter™ 5-PC
Rutledge™ Slab	.....	Rossiter™ Slab
Sedona™	.....	Southampton™
Town&Country™	.....	Edinburgh™
Trevant™ 5-PC	.....	Trevino™ 5-PC
Trevant™ Slab	.....	Trevino™ Slab
<b>NEW</b> Walden™ Slab	.....	Weston™ Slab
<b>NEW</b> Walden™ Arch Slab	.....	Weston™ Arch Slab
<b>NEW</b> Walden™ 5-PC	.....	Weston™ 5-PC
<b>NEW</b> Walden™ Arch 5-PC	.....	Weston™ Arch 5-PC

**BIRCH**

Siena™ 5-PC	.....	Salerno™ 5-PC
Siena™ Slab	.....	Salerno™ Slab
Tuscany™ 5-PC	.....	Touraine™ 5-PC
Tuscany™ Slab	.....	Touraine™ Slab
Vista™	.....	Hargrove™

**OAK**

Branford™	.....	Benton™
Hampton™	.....	Herndon™

**THERMOFOIL**

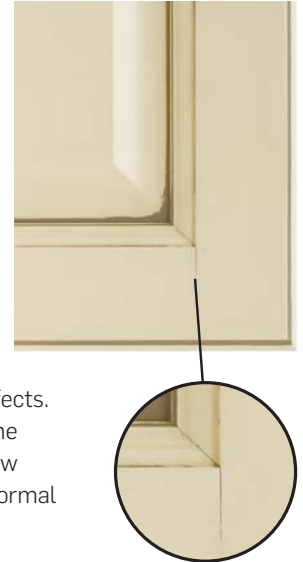
Mayfair™	.....	Marianna™
Summit Hill™	.....	Sutton™

**ECHELON CABINETRY PRODUCT DISCLOSURE**

Characteristics of Painted Finishes on Wood Cabinetry

Echelon Cabinetry painted and glazed finishes are applied using the same quality standards as all of our other finishes. Painted cabinet products have unique characteristics that differ from other finishes but are not considered manufacturer quality defects:

- Wood of all species is hygroscopic, meaning that it is subject to the humidity and temperature of its environment. It will lose or gain moisture and consequently shrink or swell depending on the environment. Even protective coatings cannot prevent this movement; they merely impede the process. As humidity increases, the moisture content increases, and wood expands. As humidity decreases, the moisture content decreases, and the wood will actually shrink. Therefore, painted wood cabinetry should be expected to "shift" during the various shifts in weather throughout the year. Changes in temperature that naturally occur from season to season (especially humidity or prolonged moisture) will cause movement in hardwood products, such as hairline cracks, peeling, or separation. These types of movement are widely accepted as normal in the kitchen cabinet industry and not considered quality defects. Wood may expand and contract differently from cabinet to cabinet and from joint to joint within the same cabinet. Consequently, some cabinet joints may not show any effects of humidity, while others may show varying degrees of cracking or peeling. These shifts may also occur due to the repeated impacts from normal everyday use.
- Echelon Cabinetry offers painted finish on both birch and maple products. Birch wood's natural grain pattern is more open and porous than maple. As a result, some of the grain pattern and other characteristics, such as mineral streaks, pitch pockets, checks and pin knots, will remain visible through the painted finish. On painted birch, the finish will take on the texture of the birch graining characteristics and will not have a filled smooth surface. Glazes, when used on birch, may also hang up on the grain and present a muddy or dirty appearance. These finish variations are normal and are not considered quality defects.
- As painted cabinet products age the finish may mellow or discolor slightly. The degree of change to the original finish color is affected by your products' exposure to natural and artificial light. This is a normal characteristic of painted furniture and cabinetry and not considered a quality defect.



Due to these natural and environmental factors, Echelon Cabinetry cannot be held responsible for naturally occurring changes experienced by the wood in our cabinets.

**CUSTOMER ACKNOWLEDGMENT**

We want to make certain you are aware of the natural characteristics of wood and their impact on our cabinets as described above. Please indicate your agreement and acceptance with these natural characteristics by signing below:

Customer Signature: \_\_\_\_\_

Print Name: \_\_\_\_\_ Date: \_\_\_\_\_

Distributor Signature: \_\_\_\_\_

Print Name: \_\_\_\_\_ Date: \_\_\_\_\_

Order Date: \_\_\_\_\_ Order Number: \_\_\_\_\_

**EchelonCabinetry.com**

Trademark owned by ACProducts, Inc.  
©ACPI SLDCLRDISCLOSUR 04/16 Printed in the United States of America  
Echelon Cabinetry products are certified by the Kitchen Cabinet Manufacturers Association.  
3551 Plano Parkway, Suite 200, The Colony, Texas 75056 800-522-0183



# Echelon<sup>®</sup>

CABINETS

www.echeloncabinetry.com An **acpi** brand

Trademark owned by ACProducts, Inc.

©ACPI SPECBOOKECH 04/16 Printed in the United States of America

Echelon Cabinetry products are certified by the Kitchen Cabinet Manufacturers Association.

**NOTICE:** The product specifications appearing herein supersede and cancel all previous sheets, supplements and addenda, and represent current manufacturing standards and procedures. Echelon Cabinetry reserves the right to make specification changes for continued product improvement.

For aesthetic considerations the furniture and cabinet industries have made veneer on composite panel substrate the standard method of construction for raised panel-in-frame doors in some wood species. Within the Echelon Cabinetry product line, those species include oak, birch, and maple.

**NOTE:** Due to printing limitations, color pictures cannot be guaranteed to exactly match the actual cabinet material.



Echelon Cabinetry is part of the Kitchen Cabinet Manufacturers Association (KCMA) and the National Kitchen and Bath Association (NKBA). Echelon Cabinetry carries the ANSI/KCMA A161.1 quality assurance certification.