



**LIST PRICES & SPECIFICATIONS**  
**2017**



Nationwide, Family-Owned



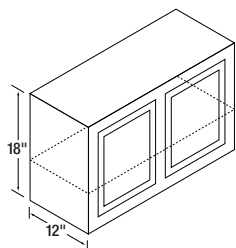
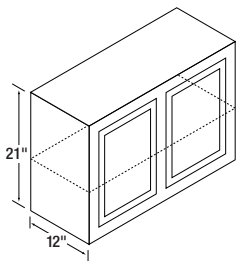
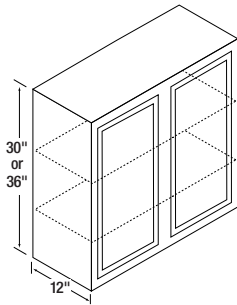
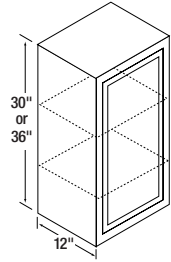
**Made In USA**



[kitchencompact.com](http://kitchencompact.com)

Prices Effective 2/1/17

# Wall Cabinets



## 36" High Wall Cabinets (WT)

Item	Glenwood	Warmwood	Chadwood	Bretwood	Mellowood
12WT*	\$163	163	171	192	192
15WT*	\$168	168	177	197	197
18WT*	\$178	178	186	208	208
21WT*	\$187	187	196	219	219
24WT*	\$201	201	211	237	237
27WT	\$242	242	253	283	283
30WT	\$253	253	265	298	298
33WT	\$258	258	270	304	304
36WT	\$282	282	295	330	330

\*Single door. Single door wall units are reversible for right or left hinging, simply turn the cabinet over.

## 30" High Wall Cabinets (W)

Item	Glenwood	Warmwood	Chadwood	Bretwood	Mellowood
9W*	\$115	115	120	133	133
12W*	\$130	130	137	152	152
15W*	\$135	135	142	156	156
18W*	\$143	143	150	166	166
21W*	\$149	149	156	174	174
24W*	\$162	162	170	188	188
27W	\$202	202	212	235	235
30W	\$213	213	223	247	247
33W	\$217	217	227	252	252
36W	\$226	226	237	262	262
42W	\$239	239	251	279	279
48W	\$278	278	291	324	324

\*Single door. Single door wall units are reversible for right or left hinging, simply turn the cabinet over.

## 21" High Wall Cabinets (R)

Item	Glenwood	Warmwood	Chadwood	Bretwood	Mellowood
24R*	\$143	143	150	166	166
30R	\$168	168	177	195	195
36R	\$178	178	186	207	207
42R	\$195	195	205	226	226

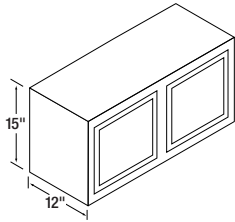
\*Single door.

## 18" High Wall Cabinets (Y)

Item	Glenwood	Warmwood	Chadwood	Bretwood	Mellowood
24Y*	\$131	131	138	153	153
30Y	\$158	158	166	184	184
36Y	\$167	167	175	194	194
42Y	\$186	186	195	217	217

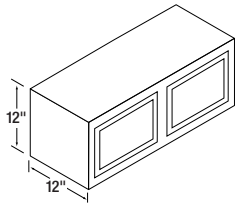
\*Single door.

# Wall Cabinets *cont'd*



## 15" High Wall Cabinets (X)

Item	Glenwood	Warmwood	Chadwood	Bretwood	Mellowood
30X	\$140	140	146	163	163
33X	\$143	143	150	166	166
36X	\$148	148	155	173	173
39X	\$149	149	156	174	174

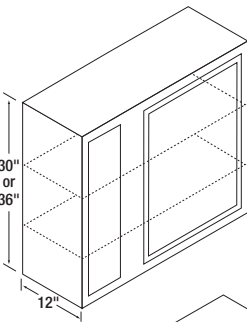


## 12" High Wall Cabinets (X12)

Item	Glenwood	Warmwood	Chadwood	Bretwood	Mellowood
30X12	\$140	140	146	163	163
36X12	\$148	148	155	173	173

\*Single door.

# Wall Corner Cabinets

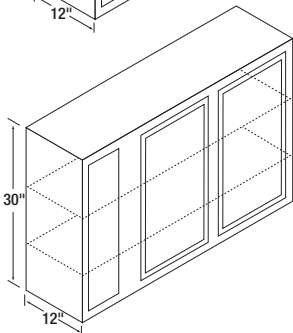


## 36" High Wall Corner Cabinets (WCT)

Item	Glenwood	Warmwood	Chadwood	Bretwood	Mellowood
24WCT*	\$187	187	196	219	219
36WCT*	\$242	242	253	283	283

All lines may be pulled 4-1/2".

\*Single door.



## 30" High Wall Corner Cabinets (WC)

Item	Glenwood	Warmwood	Chadwood	Bretwood	Mellowood
24WC*	\$160	160	168	186	186
36WC*	\$202	202	212	235	235
39WC	\$221	221	232	258	258
42WC	\$230	230	241	267	267
48WC	\$254	254	266	296	296

All lines may be pulled 4-1/2".

\*Single door.

**24WC Can pull to 28-1/2"** - One 6" opening. One 6" Stile. One 9" opening for a 27 x 9-1/2" door.

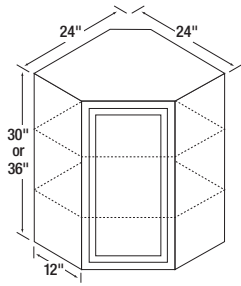
**36WC Can pull to 40-1/2"** - One 6" opening. One 6" Stile. One 21" opening for a 27 x 21-1/2" door.

**39WC Can pull to 43-1/2"** - One 6" opening. One 6" Stile. Two 10-1/2" openings for two 27 x 11" doors. One 3" Stile (between 10-1/2" openings).

**42WC Can pull to 46-1/2"** - One 6" opening. One 6" Stile. Two 12" openings for two 27 x 12-1/2" doors. One 3" Stile (between 12" openings).

**48WC Can pull to 52-1/2"** - One 6" opening. One 6" Stile. Two 15" openings for two 27 x 15-1/2" doors. One 3" Stile (between 15" openings).

# Angle Wall Cabinets



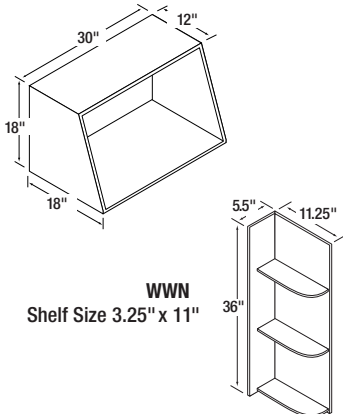
## 36" High Angle Wall Cabinet (AT)

Item	Glenwood	Warmwood	Chadwood	Bretwood	Mellowood
24AT	\$282	282	295	330	330

## 30" High Angle Wall Cabinet (A)

Item	Glenwood	Warmwood	Chadwood	Bretwood	Mellowood
24A	\$226	226	237	262	262

# Specialty Cabinets



## Microwave Cabinet (MW)

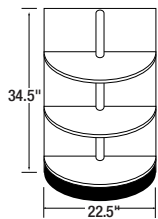
Item	Glenwood	Warmwood	Chadwood	Bretwood	Mellowood
30MW	\$178	178	161	178	178

For proper height, install the microwave cabinet under a **30X** cabinet. Inside width is 28.5".

## 36" High Wall Whatnot Cabinet (WWN)

Item	Glenwood	Warmwood	Chadwood	Bretwood	Mellowood
WWN	\$123	123	119	131	131

Priced and packaged 2 per box. May be used right or left. All shelves come unattached. Width may be cut down 1-1/2" and height may be cut down 6".

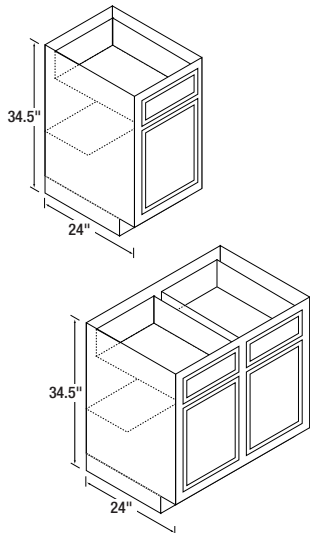


## Base Whatnot Cabinet (BWN)

Item	Glenwood	Warmwood	Chadwood	Bretwood	Mellowood
BWN 1/2	\$140	140	150	166	166

Half round is 12" deep.

# Base Cabinets



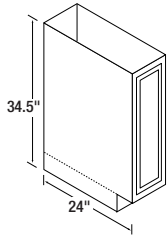
## Base Cabinets (B)

Item	Glenwood	Warmwood	Chadwood	Bretwood	Mellowood
12B*	\$182	182	191	210	210
15B*	\$194	194	204	226	226
18B*	\$205	205	215	240	240
21B*	\$225	225	236	261	261
24B*	\$243	243	254	282	282
27B* (3" Side Stiles)	\$266	266	279	313	313
30B	\$296	296	310	345	345
33B (3" Side Stiles)	\$306	306	321	356	356
36B	\$316	316	331	368	368
42B	\$343	343	360	399	399
48B	\$362	362	380	422	422

Toe Kick is 4" high x 3" deep.

\*Single door. Single door base units are reversible, simply hang door right or left, using holes predrilled in rails.

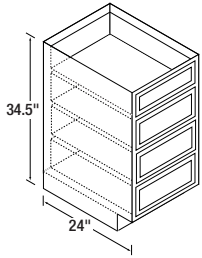
# Tray Cabinet



**Tray Cabinet (T)**

Item	Glenwood	Warmwood	Chadwood	Bretwood	Mellowood
9T	\$162	162	170	188	188

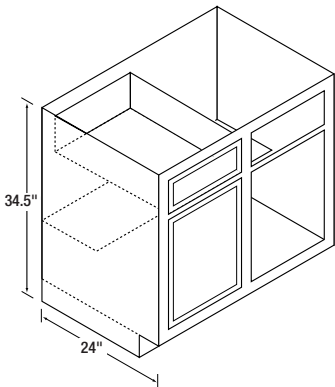
# Drawer Cabinets



**Drawer Cabinets (D)**

Item	Glenwood	Warmwood	Chadwood	Bretwood	Mellowood
15D	\$279	279	292	326	326
18D	\$297	297	311	347	347
24D	\$336	336	352	394	394

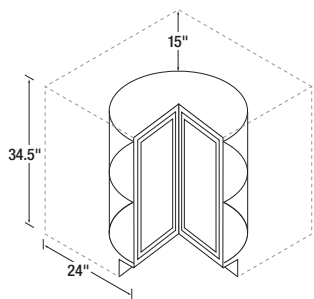
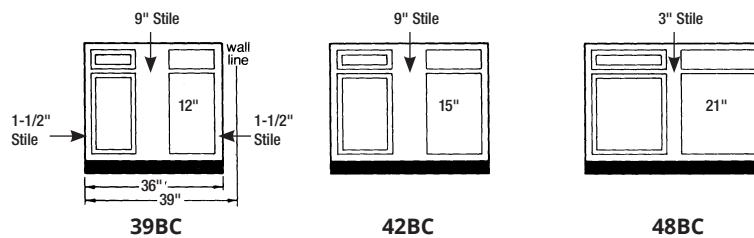
# Base Corner Cabinets



**Base Corner Cabinets (BC)**

Item	Glenwood	Warmwood	Chadwood	Bretwood	Mellowood
39BC	\$262	262	275	305	305
42BC	\$278	278	291	324	324
48BC	\$297	297	312	346	346

**39BC** must be pulled to 39" and may be pulled to 46". **42BC** and **48BC** may be pulled to 49".

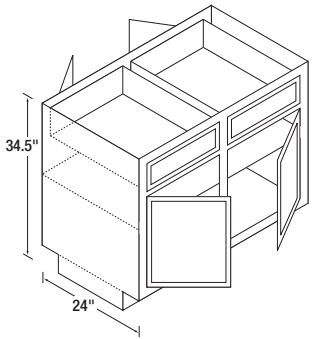


**Lazy Susan Corner Cabinet (LS)**

Item	Glenwood	Warmwood	Chadwood	Bretwood	Mellowood
36LS	\$434	434	455	506	506

**Lazy Susan** is 34-1/2" high and takes up 36" on each wall. Actual shelf is 24" diameter. Shipped without end panels.

# Peninsula Base Cabinets

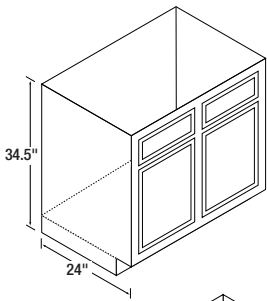


## Peninsula Base Cabinets (P)

Item	Glenwood	Warmwood	Chadwood	Bretwood	Mellowood
36B-P	\$468	468	491	545	545
48B-P	\$542	542	569	630	630
48BC-P	\$480	480	504	559	559

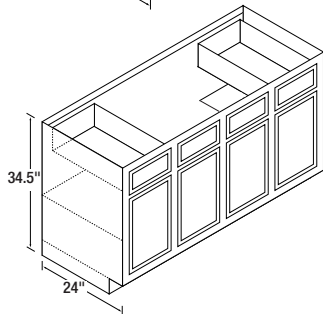
BC-P indicates Blind Corner Peninsula.

# Range & Sink Base Cabinets



## Range & Sink Base Cabinets (RBS)

Item	Glenwood	Warmwood	Chadwood	Bretwood	Mellowood
30RBS	\$248	248	260	289	289
33RBS (3" Side Stiles)	\$252	252	264	298	298
36RBS	\$263	263	276	306	306
42RBS	\$289	289	303	334	334

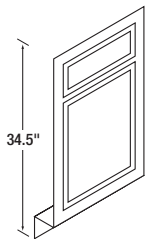


## Sink Base Cabinets (SB)

Item	Glenwood	Warmwood	Chadwood	Bretwood	Mellowood
60SB	\$466	466	489	543	543
72SB	\$509	509	534	593	593

No shelf under sink (center section) and no back on cabinet. Combination unit consists of 15-30-15 or 18-36-18. Opening between drawers on **60SB** is 33". Opening between drawers on **72SB** is 39".

# Sink Front

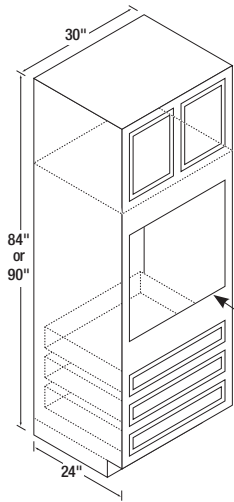


## Sink Front (SF)

Item	Glenwood	Warmwood	Chadwood	Bretwood	Mellowood
18SF*	\$103	103	108	121	121

\*Square edge.

# Oven Cabinets



## 90" High Oven Cabinet (OUT)

Item	Glenwood	Warmwood	Chadwood	Bretwood	Mellowood
30OUT	\$888	888	931	1,044	1,044

Metal support rails included.

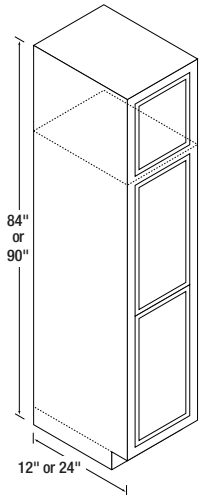
## 84" High Oven Cabinet (OU)

Item	Glenwood	Warmwood	Chadwood	Bretwood	Mellowood
30OU	\$711	711	746	830	830

Metal support rails included.

To accommodate almost every type of oven, the opening can be cut from a minimum width of 21" to a maximum width of 28.5" and a minimum height of 27.5" to a maximum height of 60" (One or more lower drawers may need to be removed).

# Broom Cabinets



## 90" High Broom Cabinets (BRT)

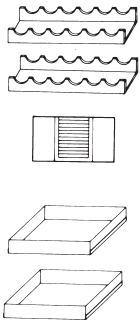
Item	Glenwood	Warmwood	Chadwood	Bretwood	Mellowood
18BRWT (12" deep)	\$414	414	434	483	483
18BRBT (24" deep)	\$485	485	508	567	567
24BRBT (24" deep)	\$691	691	724	813	813

## 84" High Broom Cabinets (BR)

Item	Glenwood	Warmwood	Chadwood	Bretwood	Mellowood
18BRW (12" deep)	\$356	356	373	413	413
18BRB (24" deep)	\$417	417	437	485	485
24BRB (24" deep)	\$554	554	580	645	645

No shelves included with **Broom Cabinets**. Optional **Shelf Kit** Includes four (4) shelves and clips: **18BRW/BRWT** kits @ \$41/kit, **18BRB/18BRBT** kits @ \$78/kit, and **24BRB/BRBT** kits @ \$104/kit.

# Accessories

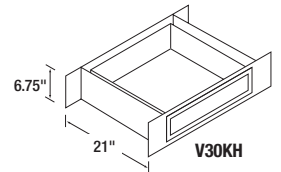
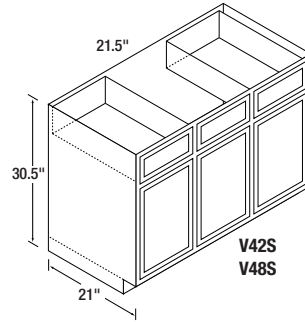
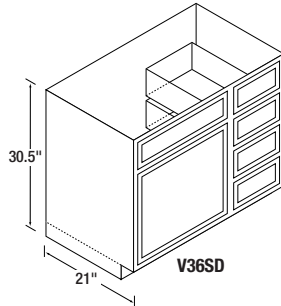
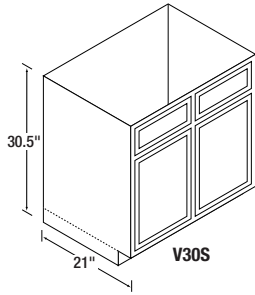
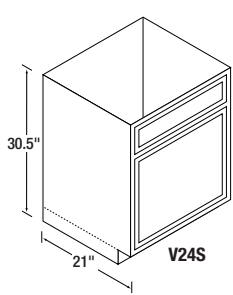
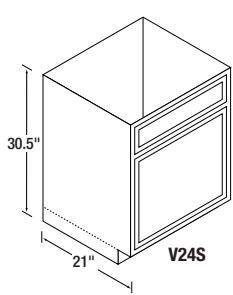
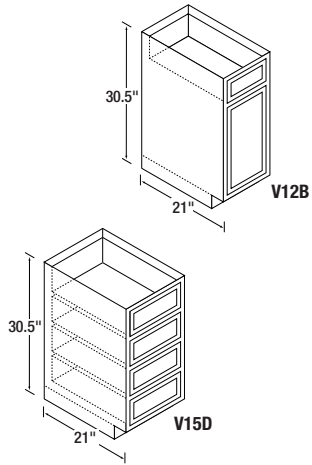


## Accessories

Item	Glenwood	Warmwood	Chadwood	Bretwood	Mellowood
Wine Rack Kit 36-1/2" x 10" (priced and packaged 2 per box)	\$146	146	132	146	146
Appliance Garage 17-5/8" x 18-1/4" (to fit beneath 24A)	\$256	256	231	256	256
Pantry/Base Roll-Out Tray (priced per tray - packaged 2 trays per box)					
15BT	\$63	63	63	63	63
18BT	\$68	68	68	68	68
24BT	\$72	72	72	72	72

# Vanity Cabinets

## 30.5" High Vanity Cabinets (V)



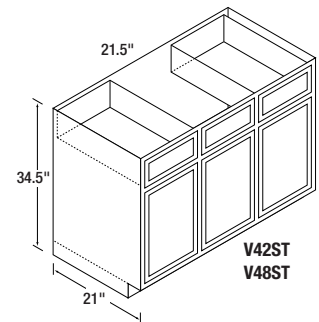
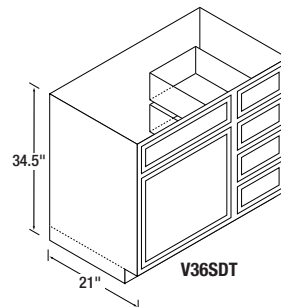
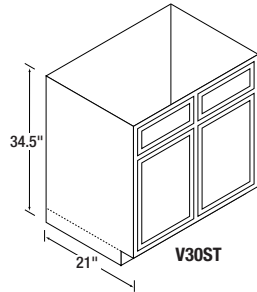
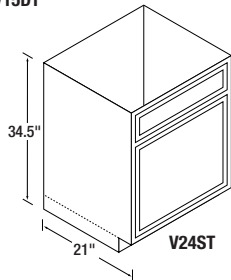
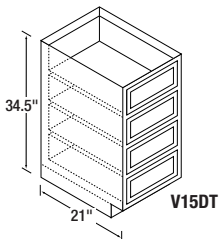
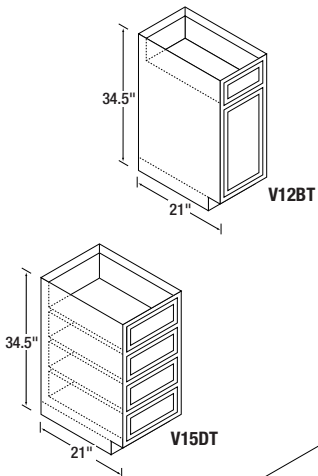
Item	Glenwood	Warmwood	Chadwood	Bretwood	Mellowood
V12B	\$182	182	191	210	210
V15D	\$254	254	266	297	297
V24S	\$215	215	225	248	248
V30S	\$236	236	248	276	276
V36SD	\$322	322	337	374	374
V42S*	\$335	335	351	390	390
V48S*	\$354	354	371	411	411
V30KH**	\$137	137	144	160	160

Opening between drawers on **V42S/V48S** is 21.5".

\*Two outside working drawers.

\*\*Can be cut down 3" on each side.

## 34.5" High Vanity Cabinets (VT)



Item	Glenwood	Warmwood	Chadwood	Bretwood	Mellowood
V12BT	\$201	201	NA	NA	NA
V15DT	\$285	285	NA	NA	NA
V24ST	\$233	233	NA	NA	NA
V30ST	\$257	257	NA	NA	NA
V36SDT	\$355	355	NA	NA	NA
V42ST*	\$347	347	NA	NA	NA
V48ST*	\$366	366	NA	NA	NA

Opening between drawers on **V42S/V48S** is 21.5".

\*Two outside working drawers.

**All Standard/Tall Vanities 21" Deep.**



# Miscellaneous Items

## Miscellaneous Items

Item	Glenwood	Warmwood	Chadwood	Bretwood	Mellowood
------	----------	----------	----------	----------	-----------

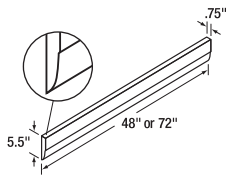
### Valance Boards

48" Val 3/4" x 5-1/2" x 48" (6 to ctn.)

Each \$40 40 56 61 61

72" Val 3/4" x 5-1/2" x 72" (6 to ctn.)

Each \$53 53 75 82 82



### Filler Strips

3" Filler Strips 3"W x 36"L (12 to ctn.)

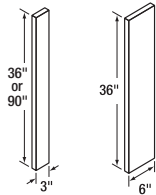
Each \$19 19 24 29 29

6" Filler Strips 6"W x 36"L (6 to ctn.)

Each \$30 30 49 54 54

3" Filler Strips 3"W x 90"L (12 to ctn.)

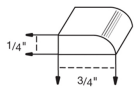
Each \$42 42 59 65 65



### Maple and Oak Molding

8' pieces 1/4" x 3/4" x 96" (500' to ctn.)

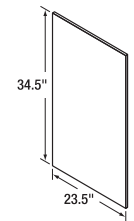
Per lineal ft. \$3 3 2 3 3



### Touch-Up

Touch-Up sticks (12 to ctn.)

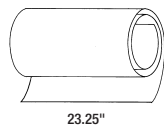
Each \$24 24 24 24 24



### Base End Panels - EP

May be used R or L 1/2" x 23-1/2" x 34-1/2" (6 to ctn.)

Each \$42 42 42 42 42



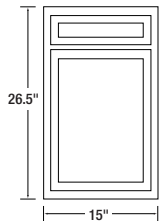
### Maple and Oak End Covers (self-adhesive backing)

Base - 23-1/4" x 34-1/2" (6 to ctn.)

Each \$102 102 92 102 102

Oven - 23-1/4" x 90" (6 to ctn.)

Each \$280 280 251 280 280



### Salesman Sample Door & Frame

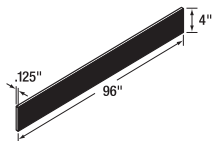
15" x 26-1/2" Front (4 to ctn.)

Each \$110 110 115 128 128

### Toe Kick Material

Black Hardboard 1/8" x 4" x 96" (200' to ctn.)

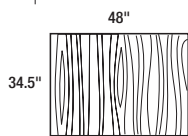
Per lineal ft. \$1 1 1 1 1



### Maple and Oak Back Panels (also for dishwashers)

3/16" x 34-1/2" x 48" (6 to ctn.)

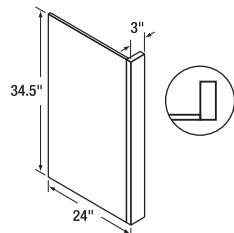
Each \$116 116 104 116 116



### End Panel Faced - EPF3 (faced with 3" stile)

May be used R or L 1/2" x 24" x 34-1/2" (4 to ctn.)

Each \$78 78 81 90 90



# ADA Accessible Cabinets

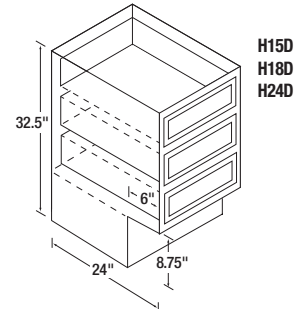
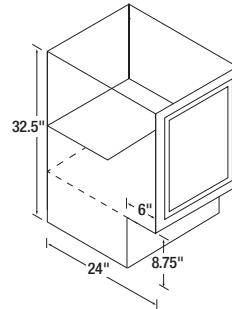
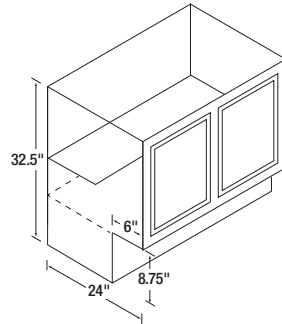
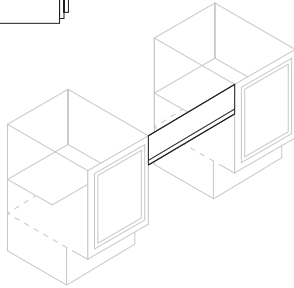
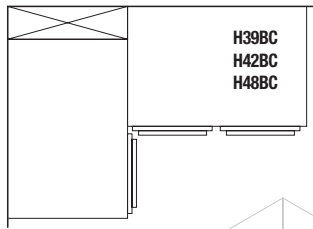
Price is plus 15% over standard base cabinet.

Kitchen Kompact offers 32-1/2" high base cabinets to help comply with ADA (Americans with Disabilities Act) requirements. Such cabinets are especially important for multi-family projects subject to HUD and FHA funding. Kitchen Kompact will only provide ADA accessible cabinets on multi-family projects where the ADA accessible cabinets are 10% or less of the entire project. These cabinets are special order and are available in all door styles. Please allow a minimum of two weeks for delivery.

## Handicapped Design Cabinets (H)

Handicapped Design cabinets include:

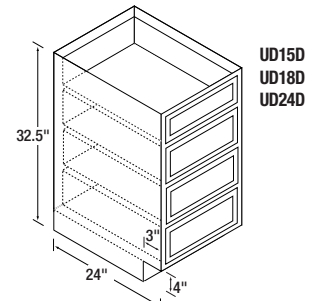
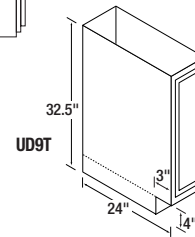
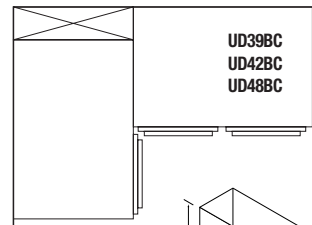
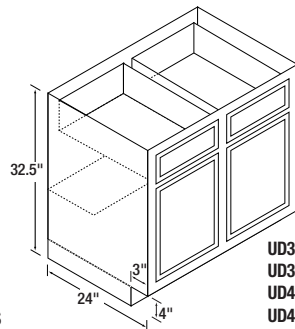
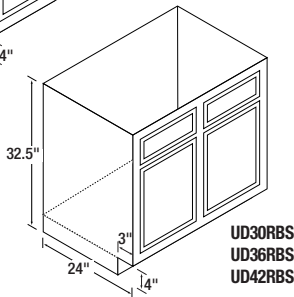
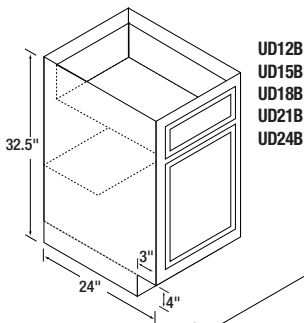
- Height of 32.5"
- Toe Kick is 8.75"
- No drawers



## Universal Design Cabinets (UD)

Universal Design cabinets include:

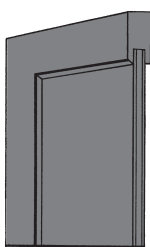
- Height of 32.5"
- Standard 4" Toe Kick
- Functioning drawers



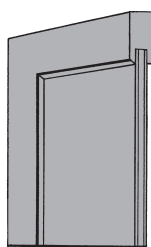
## Door Styles

### Glenwood and Warmwood:

Shaker style door frames are made of solid beech, mortised and tenoned. The recessed plywood insert is three-ply with a rotary cut hard maple veneer. Drawer heads have routed finger pulls.



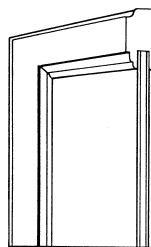
Glenwood



Warmwood

### Chadwood:

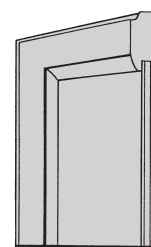
Solid Appalachian oak frames are joined by mortise and tenon. The recessed plywood insert is three-ply with a rotary cut red oak veneer. Drawer heads have routed finger pulls.



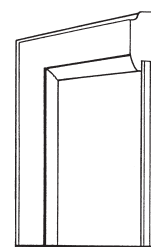
Chadwood Oak

### Bretwood and Mellowood:

Door frames are mortised and tenoned construction of solid hard maple. The recessed plywood insert is three-ply with a rotary cut hard maple veneer. Drawer heads have routed finger pulls.



Bretwood



Mellowood

# Specifications

## Cabinet Construction

All face frames are 3/4" kiln-dried rails, joined by mortise and tenon with glue. Chadwood face frames are built using solid oak. Bretwood and Mellowood face frames are built using solid maple. Glenwood and Warmwood face frames are built using a mixture of solid beech and sycamore. All wall and base cabinets have 1/8" backs. Wall cabinets equipped with solid wood hanging rails at back, both top and bottom. End panels are wood veneered, 1/2" thick engineered wood core plywood, fastened to front frame with tongue-in-groove construction. Tops and bottoms of 3/16" hardboard dadoed into sides, interlocked into hanging rails of all wall units, and secured with an adhesive for added strength.

## Finish

A 4-step process is applied to the exterior finish of all Kitchen Kompact cabinets: Stain, Sealer, Sanding, and Catalyzed Top Coat. This finish is resistant to household chemicals such as water, beverages, mild acids – even nail polish.

## Shelves

All wall cabinets feature adjustable shelves. A selection of six different heights is built into each 30" high and taller wall cabinet. On 2-door wall units, the center 3" stile is used for center support of adjustable shelves. It is recommended that a 1/4" hole be drilled in the back for additional center support. The extra shelf clip is provided. Shelves are 1/2" engineered wood, with rounded front edge and printed wood grain.

## Hardware

Chadwood, Bretwood, Mellowood, Glenwood and Warmwood feature concealed self-closing hinges – no door pulls included.

## Vanities

Vanity size cabinets are available in all lines. Tall vanities only available in Glenwood and Warmwood.

## Doors

**Chadwood:** Door frames are mortised and tenoned construction of solid oak. The recessed plywood insert is three-ply with a rotary cut red oak veneer.

**Bretwood/Mellowood:** Door frames are mortised and tenoned construction of solid maple. The recessed plywood insert is three-ply with a rotary cut hard maple veneer.

**Glenwood/Warmwood:** Shaker style door frames are made of solid beech, mortised and tenoned. The recessed plywood insert is three-ply with a rotary cut hard maple veneer.

## Drawers

Plywood drawers are standard on all lines. The drawers operate with a full front to back epoxy coated suspension system on nylon rollers.

Drawer fronts of solid oak/maple/beech with routed finger grips on the bottom for easy opening.

## Oven Cabinets

Oven cabinets are made to accommodate almost every type oven by removing the necessary lower drawer units. Metal support rails are included.

## ADA Accessible Cabinets

Kitchen Kompact will only provide ADA accessible cabinets on multi-family projects where the ADA accessible cabinets are 10% or less of the entire project. ADA accessible cabinets are available, on special order, in a limited number of sizes.

## Outline Specifications

Kitchen cabinets shall be as manufactured by Kitchen Kompact according to the company's material specifications. Finishes and cabinet units (Chadwood, Bretwood, Mellowood, Glenwood or Warmwood) are as specified by size and type according to Kitchen Kompact stock catalogs. Cabinets are reversible so there is no need to specify left or right. Hardware, finish, materials, and other requirements shall be as specified by Kitchen Kompact. Each cabinet is shipped individually and in its own carton.

## Cabinet Code Descriptions

For ease of ordering, the numerical designation indicates the cabinet width, the letter identifies the height.

## Flexible Installation

Wall cabinets are reversible for right- or left-hand installation. Base cabinets come hinged left, but can be easily reversed by moving hinges to predrilled right-hand locations.

## General Information

Orders are taken subject to our approval. Any changes must be made within four days after date of our acknowledgment. If this notice is not received, cabinets will be shipped according to the acknowledgment. Orders are not subject to cancellation without our written consent. Do not return merchandise to factory without our permission. All merchandise shipped in good condition - any damage claims must be made with delivering carrier.

For Installation and Care Guidelines, visit our website!  
[kitchenkompact.com](http://kitchenkompact.com)

SUBJECT TO CHANGE WITHOUT NOTICE. SHIPMENTS F.O.B. JEFFERSONVILLE. Kitchen Kompact cabinets meet or exceed the American National Standards Institute #A161.1 recommended minimum construction and performance standards for kitchen and vanity cabinets.

*Kitchen Kompact, Inc. reserves the right to change design, specifications or materials without being obliged to incorporate such changes in products of prior manufacture. The artwork and specifications contained herein are the property of Kitchen Kompact, Inc., and may not be copied or reproduced without the written consent of the company.*



Kitchen Kompact, Inc.  
911 East 11th St. (47130)  
P.O. Box 868  
Jeffersonville, IN 47131-0868  
(812) 282-6681 Phone  
(812) 282-7880 Fax

***kitchenkompact.com***



Kitchen Kompact is certified under the Kitchen Cabinet Manufacturers Association's Environmental Stewardship Program\*.

\* This certification has been recognized by the National Association of Home Builders' (NAHB) with the Green Building Award for Advocate of the Year for its environmental and sustainability achievements.