

KLEER[®]
TRIMBOARD



The look of wood. The ease of low maintenance.

Today, people want the beauty of wood without the high cost of maintenance that goes with it.

That's why they're turning to Kleer cellular PVC products. Kleer provides affordable, sustainable, low maintenance alternatives to wood trim and wood exterior products without compromising beauty or function.

Kleer products make it easy to distinguish your home's exterior with attention-getting fascias, soffits and corners or custom architectural details. Inside or outside the home, Kleer® decorative mouldings, beadboards, and other trim are not only made to impress, but also to stand the test of time.

Kleer Trimboards do not require paint for protection or to retain their brilliant white color. But when color coordinating with other home exterior elements, they can be easily painted with 100% acrylic latex paint.

Proudly made in the USA using the highest quality PVC resin, Kleer Trimboards deliver optimum workability and lasting durability. Our breakthrough manufacturing technology produces an array of trim options that look like wood, but are superior in many ways.





Kleer PVC Trimboards are ideal for corners, fascia, soffits, rakes, casings, cornices and other applications, delivering the advantages of natural wood without the upkeep.

Our innovative **TruEDGE®** technology provides sharper, cleaner edges that resist dust and dirt, and a smooth finish that's easier to clean than wood trim or PVC boards without sealed edges. Infused with UV inhibitors that provide long lasting protection over time, they are perfect for creating authentic accents around windows, doors and more.

AS TOUGH AS THEY ARE BEAUTIFUL

Developed with a micro-structure density similar to white pine, Kleer Trimboards come in a range of thicknesses, widths and lengths to easily fit multiple applications. And since they

don't splinter, rot, delaminate or swell, they can be installed in direct contact with the ground, masonry or other potentially wet surfaces. You can choose to stick with their brilliant white color or paint them to match any surrounding elements. Either way, you'll find the results are superior and longer lasting than painted wood.

HI-TECH WORKABILITY

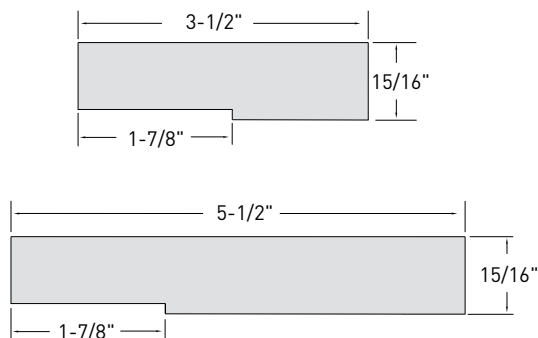
Kleer Trimboards are great for use in a wide range of applications with standard tools, as well as techniques such as pneumatic nailing, stapling, gluing and heat bending. Uniform product design eliminates core voids, grain or knot instabilities and material waste.

ACTUAL THICKNESS	LENGTH	NOMINAL WIDTH (ACTUAL WIDTH)							
5/8"	18'	3 (2-1/2")	4 (3-1/2")	5 (4-1/2")	6 (5-1/2")	8 (7-1/4")	10 (9-1/4")	12 (11-1/4")	16 (15-1/4")
3/4"	18'								
15/16"	18', 20'								

Custom widths and lengths available. Please check with your local dealer for product availability in your market.

Kleer Trimboards with Nailing Flange Cutouts

are designed with a 1/4" cutout so they install flat over window nailing flanges for a more attractive finished product.

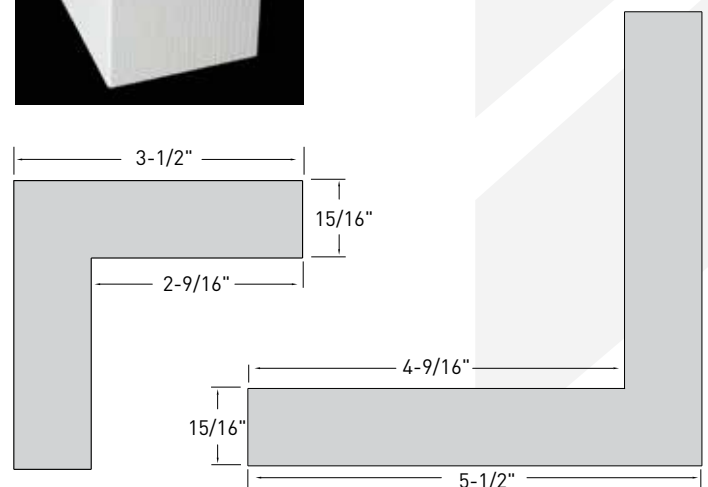


Kleer Corners

Traditional trim corners are easy to install and offer the aesthetics of true mitered corners. Available in smooth and woodgrain finish.

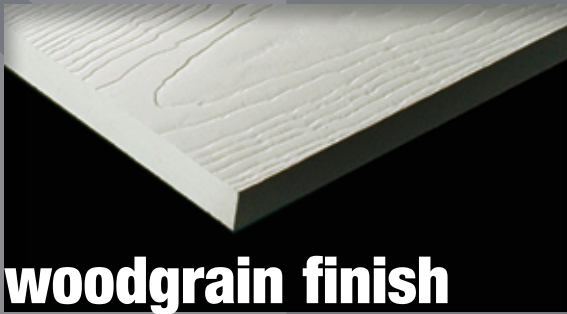


- 5/4" (15/16") x 3-1/2" (3-1/2") x 10'
- 5/4" (15/16") x 3-1/2" (3-1/2") x 20'
- 5/4" (15/16") x 5-1/2" (5-1/2") x 10'
- 5/4" (15/16") x 5-1/2" (5-1/2") x 20'





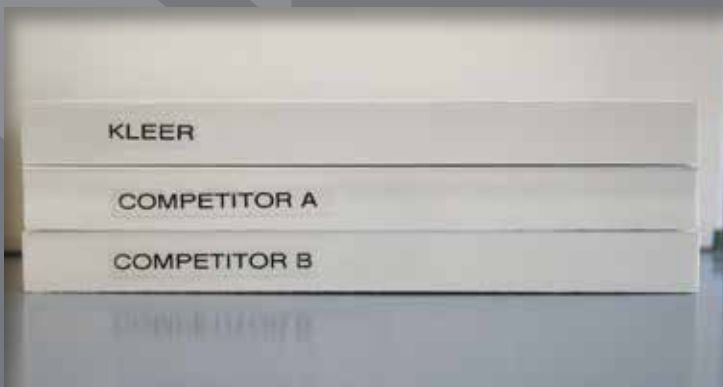
smooth finish



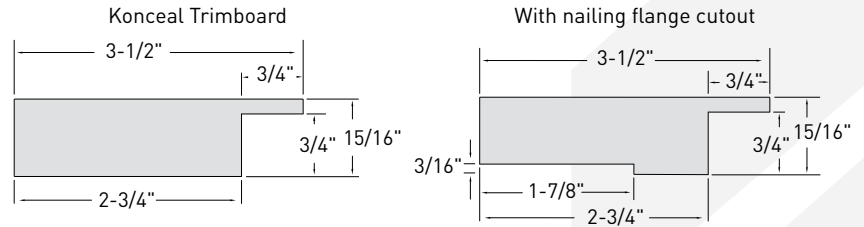
woodgrain finish



Kleer Trimboards with TruEDGE® technology. PVC trim is a low maintenance alternative to wood. Over time, dirt will collect on the edges but a sealed edge allows the dirt to be washed off easily. Below are the results from a dirt intrusion test. Watch the video at www.youtube.com/user/TheTapcoGroup.



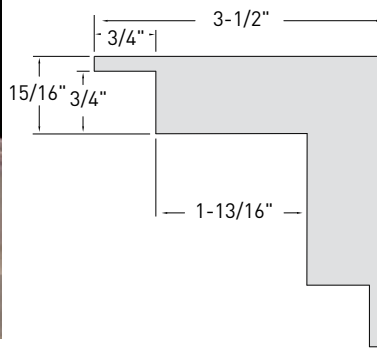
Kleer Konceal has a built-in 3/4" reveal that covers rough cuts at corners and other areas where precision cuts are time consuming and difficult. Meaning you save time without sacrificing that striking, finished look. Suitable for use with vinyl, fiber cement or wood siding, Kleer Konceal is available in smooth or natural woodgrain textures that ensure appealing aesthetics and lasting value.



SIZE	DESCRIPTION	LENGTH
5/4 x 4	Konceal Trimboard 15/16" x 3-1/2"	18'
5/4 x 4	With Nailing Flange Cutout 15/16" x 3-1/2"	18'
5/4 x 6	Konceal Trimboard 15/16" x 5-1/2"	18'
5/4 x 6	With Nailing Flange Cutout 15/16" x 5-1/2"	18'

Kleer Konceal Corners

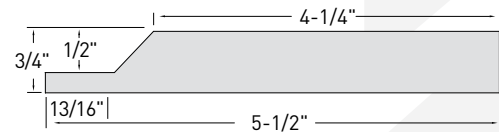
feature a 3/4" reveal for easier siding installation.



SIZE	DESCRIPTION	LENGTH
5/4 x 4	Konceal Corner 15/16" x 3-1/2"	10', 20'
5/4 x 6	Konceal Corner 15/16" x 5-1/2"	10', 20'

KLEERStart™

is a 3/4" thick frieze board available in 6" and 8" nominal widths and 18' lengths.



SIZE	DESCRIPTION	LENGTH
1 x 6	KLEERStart 3/4" x 5-1/2"	18'
1 x 8	KLEERStart 3/4" x 7-1/2"	18'

Kleer Sheets

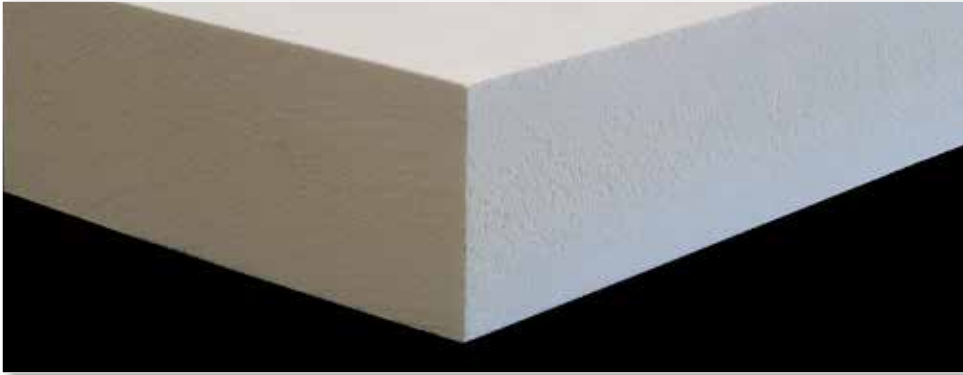
are great for a variety of millwork applications, as well as framing out multiple windows and other custom uses. They are available in a wide range of thicknesses and sizes, and come smooth or with an optional woodgrain finish on one side.

THICKNESS	WIDTH	LENGTHS
1/4"	4'	8', 10', 12'
3/8"	4'	8', 10', 12', 18'
1/2"	4'	8', 10', 12', 18'
5/8"	4'	8', 10', 12', 18'
3/4"	4'	8', 10', 12', 18', 20'
15/16"	4'	8', 10', 12', 18', 20'

Custom widths and lengths available. Please check with your local dealer for product availability in your market.



Kleer Trim for Custom Millwork is available in multiple sizes to fit your needs. Kleer 1-1/4" and 1-1/2" Trimboard and Sheets are for perfect pergola beams, corbels, mouldings, and any custom PVC millwork. Time consuming lamination steps, previously necessary for thicker PVC designs, are now reduced saving both time and money. Like all our products, these won't splinter, swell, rot or delaminate allowing it to be applied directly to the ground or other potentially wet surfaces. Kleer Lumber continues to provide the beauty of custom woodwork without the constant upkeep and maintenance. Available in boards or sheets with smooth finish only.



Kleer Custom Trimboards

ACTUAL THICKNESS	LENGTH	NOMINAL WIDTH (ACTUAL WIDTH)							
1-1/4"	18'	3 (2-1/2")	4 (3-1/2")	5 (4-1/2")	6 (5-1/2")	8 (7-1/4")	10 (9-1/4")	12 (11-1/4")	16 (15-1/4")
1-1/2"	18'	-	4 (3-1/2")	-	6 (5-1/2")	8 (7-1/4")	10 (9-1/4")	12 (11-1/4")	-

Kleer Custom Sheets

THICKNESS	WIDTH	LENGTHS
1-1/4"	4'	8', 10', 12', 18', 20'
1-1/2"	4'	8', 12', 16', 18'

Custom widths and lengths available. Please check with your local dealer for product availability in your market.



KleerPak

Of all the home finishes a customer can choose, dirty is never one of them.

The path from the manufacturing plant to installation can be hard on building materials, that's why we developed the new KleerPak. These Kleer trimboard packs are wrapped in small quantities to resist dirt and wear from the lumberyard to the jobsite to installation.



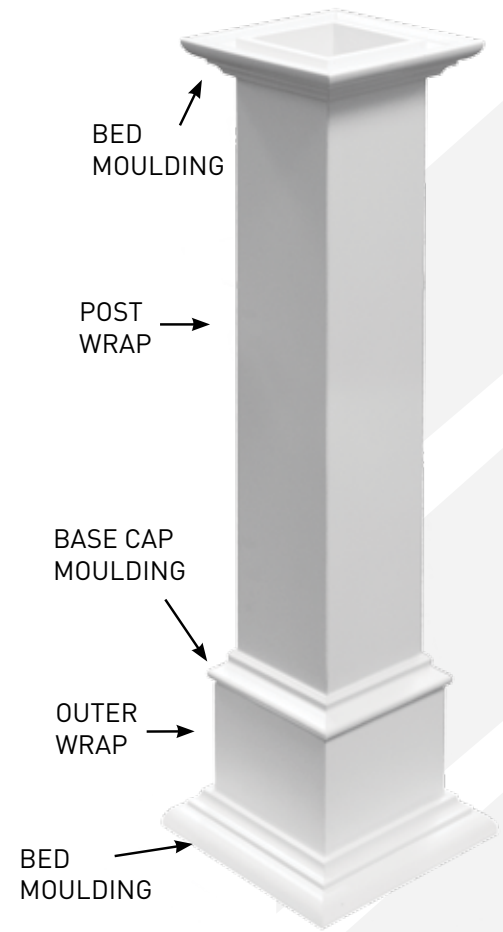
Kleer trimboards with **TruEDGE®** are engineered to resist dirt and – if they do get dirty – easily wipe clean. So when they go up clean, they keep their brilliant white finish for years with very little maintenance.

The new KleerPak helps both dealers and builders protect their product and their bottom lines. Dealers can now sell smaller quantities without leaving the remaining stock exposed in the lumberyard or warehouse. Builders can use the boards they need on a job without worrying about the rest of their product getting scuffed, dinged or dirty.



KLEERWrap Post Wraps feature the same advanced PVC technology as our other Klear products and encase existing porch posts or columns with a natural wood look that is virtually impervious to moisture and insects. KLEERWrap Post Wraps can be installed by one person quickly and easily when using Klear PVC adhesives. To ensure an elegantly finished project, each kit comes with two Bed Moulding Sets. Additional Bed, Crown, Base/Cap Moulding and Outer Wrap Sets are sold separately.

Each **KLEERWrap Post Wrap** comes complete with two Bed Moulding Sets. Additional Bed, Crown, Base/Cap Moulding and Outer Wrap Sets are available separately.



KLEERWRAP	LENGTHS	ACTUAL INSIDE DIMENSION	ACTUAL OUTSIDE DIMENSION	POST SIZE (ACTUAL)
4"	8', 10'	3-3/4" x 3-3/4"	4-1/2" x 4-1/2"	3-1/2" x 3-1/2"
6"	8', 10'	5-3/4" x 5-3/4"	6-1/2" x 6-1/2"	5-1/2" x 5-1/2"
8"	10'	6-1/4" x 6-1/4"	7" x 7"	5-1/2" x 5-1/2"

OUTER WRAP	LENGTHS	ACTUAL INSIDE DIMENSION	ACTUAL OUTSIDE DIMENSION
4"	5", 7", 12"	4-1/2" x 4-1/2"	5" x 5"
6"	5", 7", 12"	6-1/2" x 6-1/2"	7" x 7"
8"	5", 7", 12"	7-1/2" x 7-1/2"	8" x 8"

Base Cap Moulding Set

Available for 4", 6" and 8" post wraps.



Outer Wrap

Available in 5", 7" and 12" lengths for 4", 6" and 8" post wraps.



Bed Moulding Set For Outer Wrap

Available for 4", 6" and 8" post wraps.



Crown Moulding Set

Available for 4", 6" and 8" post wraps.





The wrap design allows for installation on posts **already attached at the top and bottom!**



before



after

Kleer Beaded Boards

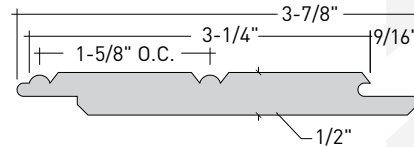
KLEERLok® Beaded Board's shiplap-nailing flange and reliable moisture resistance make it the perfect choice for porch ceilings and soffit applications, as well as for wainscot trim in bathrooms, laundry rooms or other high moisture interior areas. The nailing flange makes installation easy and KLEERLok Moulding helps cover seams in long-length applications, providing for a distinguished, finished look.



4" KLEERLok

1/2" x 3-1/4" x 16'

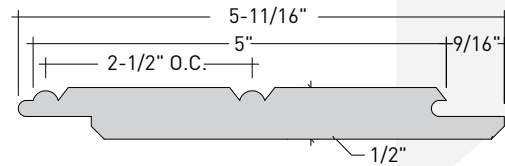
1-5/8" on-center bead reversible tongue and groove



6" KLEERLok

1/2" x 5" x 16'

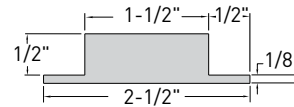
2-1/2" on-center bead reversible tongue and groove



KLEERLok Moulding

5/8" x 2-1/2" x 16'

Used for connecting end joints of all Kleer Beaded products

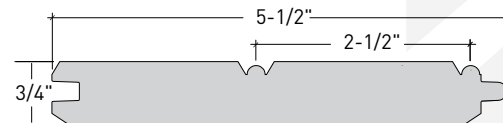


NEW Edge and Center Bead Board

Replicates tongue and groove wood planks. Ideal for soffit application.

3/4" x 6" x 18'

Tongue and Groove



KLEERBeed Beaded Sheets

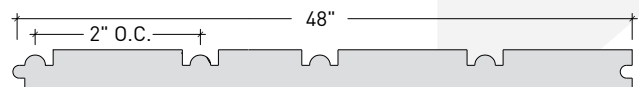
with their tongue and groove edges, offer the same finished look as individual boards, while their larger size makes for fast installation and assures a consistent surface. KLEERBeed Beaded Sheets are available in smooth and woodgrain texture, making them ideal for wainscot trim in bathrooms, laundry rooms or other high moisture interior areas.

KLEERBeed Sheet

1/2" x 4' x 8'

1/2" x 4' x 10'

2" on-center bead



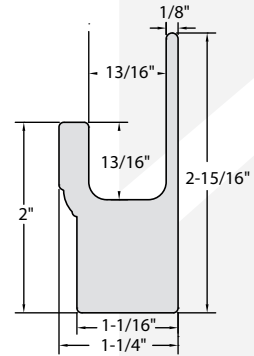


Kleer Mouldings offer all the style and elegance of wood, without any of the hassle or high costs of maintenance. Its advanced cellular PVC construction makes cutting and installation easier than ever. And realistic patterns and textures provide long lasting beauty, giving any home's interior or exterior that consistent, finished look it deserves.

Casing Surface application around doors, walls, and windows

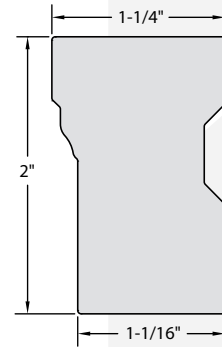
J-Channel Brickmould

#5657
1-1/4" x 2" x 17'



Brickmould

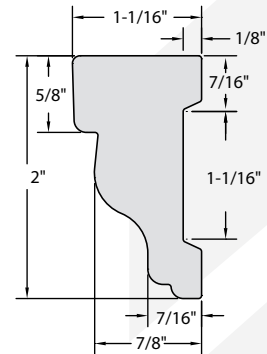
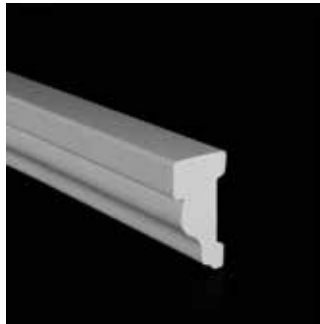
#5180K
1-1/4" x 2" x 17'



Roofing Details Trim for rake and fascia

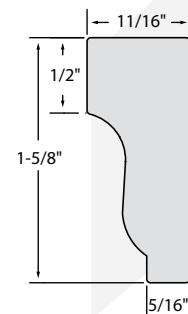
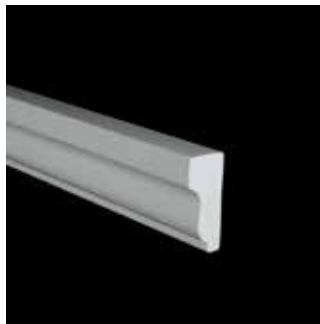
Rake Moulding

#5287K
1-1/16" x 2" x 16'



Shingle Mould

#5210K
1 1/16" x 1-5/8" x 16'





Crown Used at the intersection of walls and ceilings

7-1/2" Crown

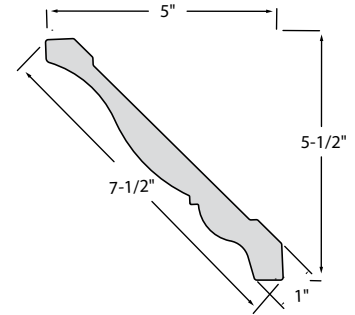
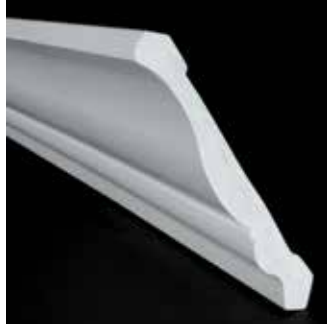
#5041K

Projection: 5"

Height: 5-1/2"

Spring Angle: 43°

1" x 7-1/2" x 16'



5-1/4" Crown

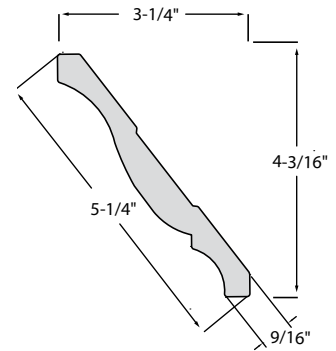
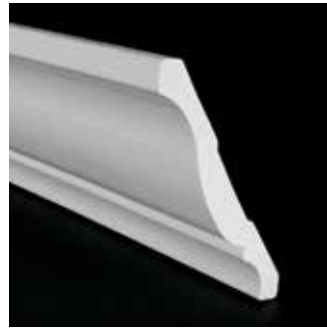
#5045K

Projection: 3-1/4"

Height: 4-3/16"

Spring Angle: 37°

9/16" x 5-1/4" x 16'



4-5/8" Crown

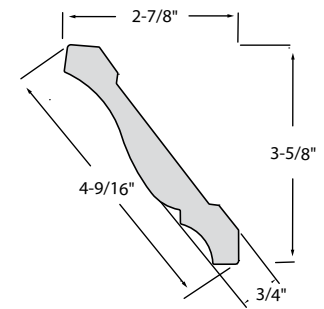
#5047K

Projection: 2-7/8"

Height: 3-5/8"

Spring Angle: 37°

3/4" x 4-9/16" x 16'



3-5/8" Crown

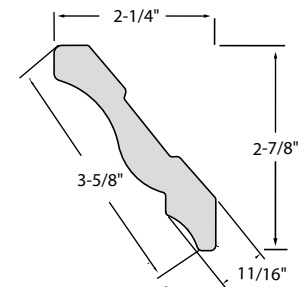
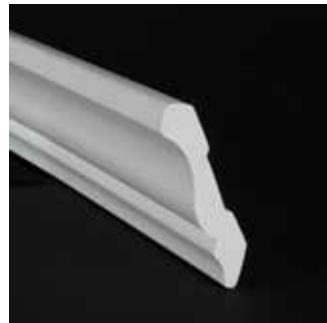
#5049K

Projection: 2-1/4"

Height: 2-7/8"

Spring Angle: 39°

11/16" x 3-5/8" x 16'



2-3/4" Crown

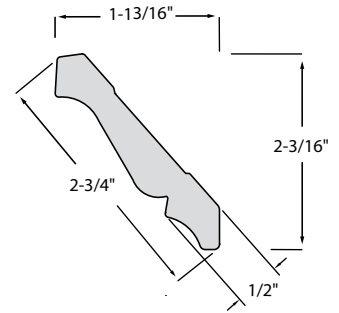
#5063K

Projection: 1-13/16"

Height: 2-3/16"

Spring Angle: 41°

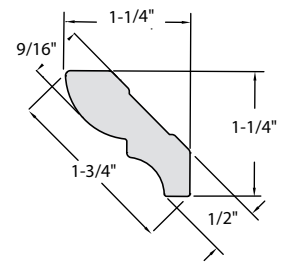
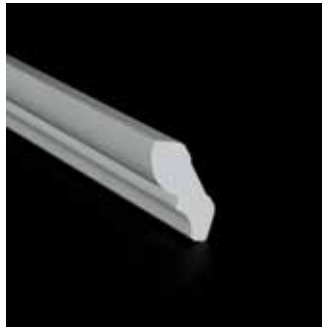
1/2" x 2-3/4" x 16'



Bed Moulding

#5075K

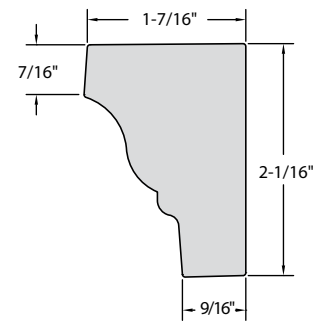
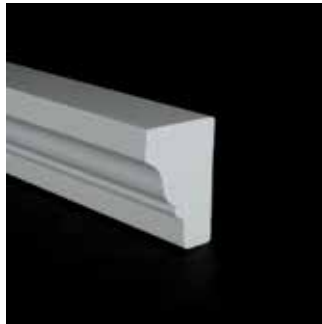
1-3/4" x 9/16" x 16'



Ram's Crown

#5158K

1-7/16" x 2-1/16" x 16'

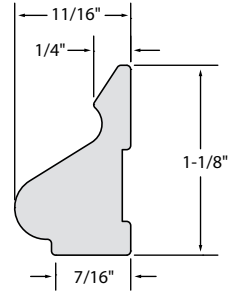
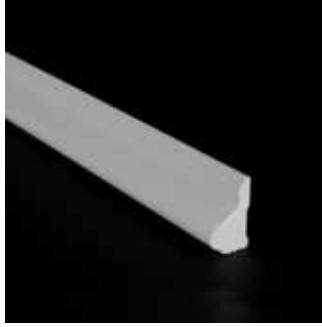


Detail Additional trim used to accent primary trim.

Base Cap

#5164K

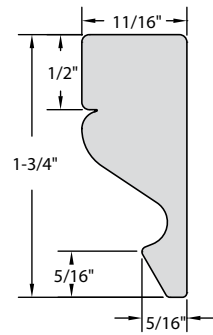
11/16" x 1-1/8" x 16'



Band Profile

#5168K

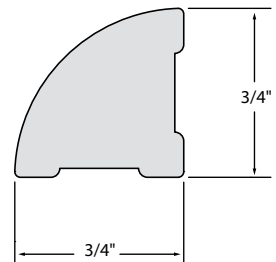
11/16" x 1-3/4" x 16'



Quarter Round

#5234K

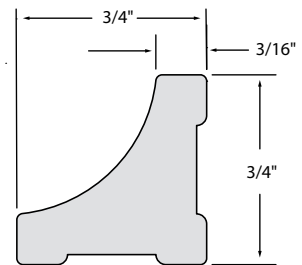
3/4" x 3/4" x 16'



Cove/Scotia

#5245K

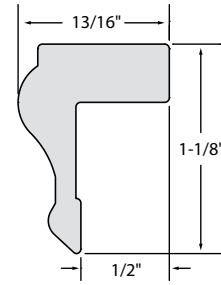
3/4" x 3/4" x 16'



Wainscot Cap

#5276K

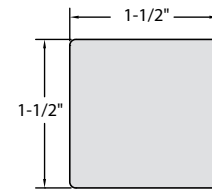
1-1/8" x 13/16" x 16'



Baluster Profile

#5150K

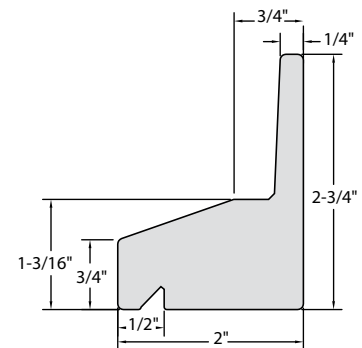
1-1/2" x 1-1/2" x 12'



Water Table Moulding

#5170K

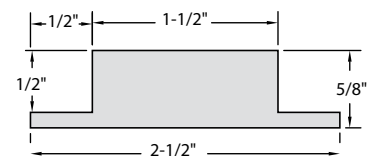
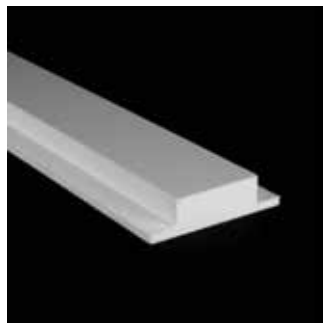
2-3/4" x 2" x 16'



Kleerlok Moulding

#5803K

5/8" x 2-1/2" x 16'

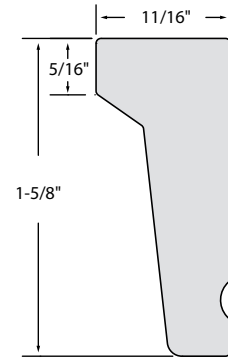
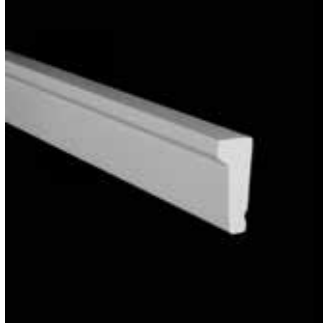


Window Details Sill and Drip trim for window applications

Drip Cap

#5283K

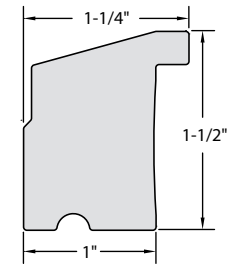
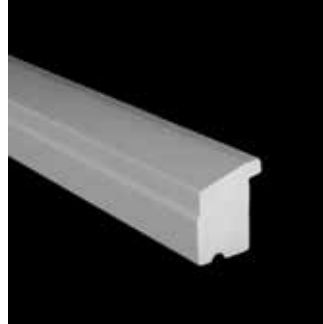
11/16" x 1-5/8" x 16'



Sill Nose

#5311K

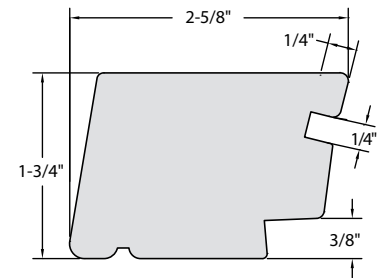
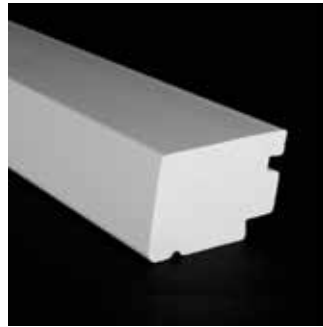
1-1/2" x 1-1/4" x 16'



Historical Sill 1

#7435K

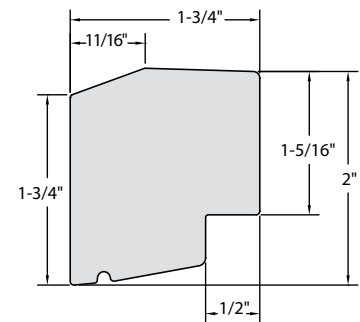
1-3/4" x 2-5/8" x 16'



Historical Sill 2

#7650K

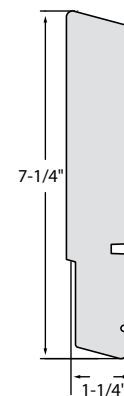
2" x 1-3/4" x 16'



Replacement Sill

#960810Sill

1-1/4" x 7-1/4" x 10'



Kleer Adhesives

The ultimate success of any trim or moulding project is measured by product longevity and overall appearance over time. That's why we offer a comprehensive system of Kleer Cellular PVC adhesives and sealants formulated precisely for use with all Kleer Cellular PVC Trim products.



Kleer PVC Cement

A superior quality, fast-drying adhesive that creates a strong yet flexible bond and provides outstanding resistance to weather and temperature extremes. Color matched to Kleer PVC trim products.

4 oz. tube or 4 oz., 8 oz. & 16 oz. cans with built-in applicator brushes.



Kleer Cellular PVC Adhesive

Two-part structural adhesive. 100% waterproof, UV stable, can be sanded and painted, and is color matched to Kleer PVC trim products. It can be used to fill nail holes and gaps up to 1/8" without the need for fasteners or biscuits.

20-25 minute work time.

Ideal for applications where a slower work time is preferred.

25ML, 50ML, and 220ML cartridges

4-7 minute work time.

50ML and 220ML cartridges



Kleer Cellular PVC Laminating Adhesive

A two-part structural adhesive. Lower viscosity for enhanced "flow-out." Requires less clamping pressure for a thin, void-free bond when laminating cellular PVC faces together to create thicker pieces.

220ML cartridges



Kleer Cellular PVC Nail Stick

A two-part epoxy putty used for filling nail holes in PVC. **Cures off-white to light grey.** Sand it, drill it and paint it to make a great finish for any installation.



Kleer Structural Sealant

A multi-purpose product. Its tenacious adhesion and elastomeric properties make it the ideal product for filling expansion gaps and filling nail holes. It skins over quickly and can be painted in 2 hours, with a full cure time of roughly one week.

Kleer Fasteners

For the highest level of performance and a beautifully finished appearance, build with the fasteners designed specifically for Kleer Cellular PVC products.



- Cortex Fasteners™ – reliable strength, consistent cored hole for the plug
- Setting Tool – consistently correct fastener depth, every time
- Engineered Plugs – made from Kleer Trimboards for a perfect match and long-term performance
- All products are fully paintable
- Available in 50 LF box (75 screws), 250 LF box (375 screws) and 750 LF box (1,125 screws)



KLEER®

KleerLumber.com

866.553.3770



GENUINELY BETTER BUILDING PRODUCTS
©2015 Tapco International Corporation



KL036-3
K4002-CT 11/15