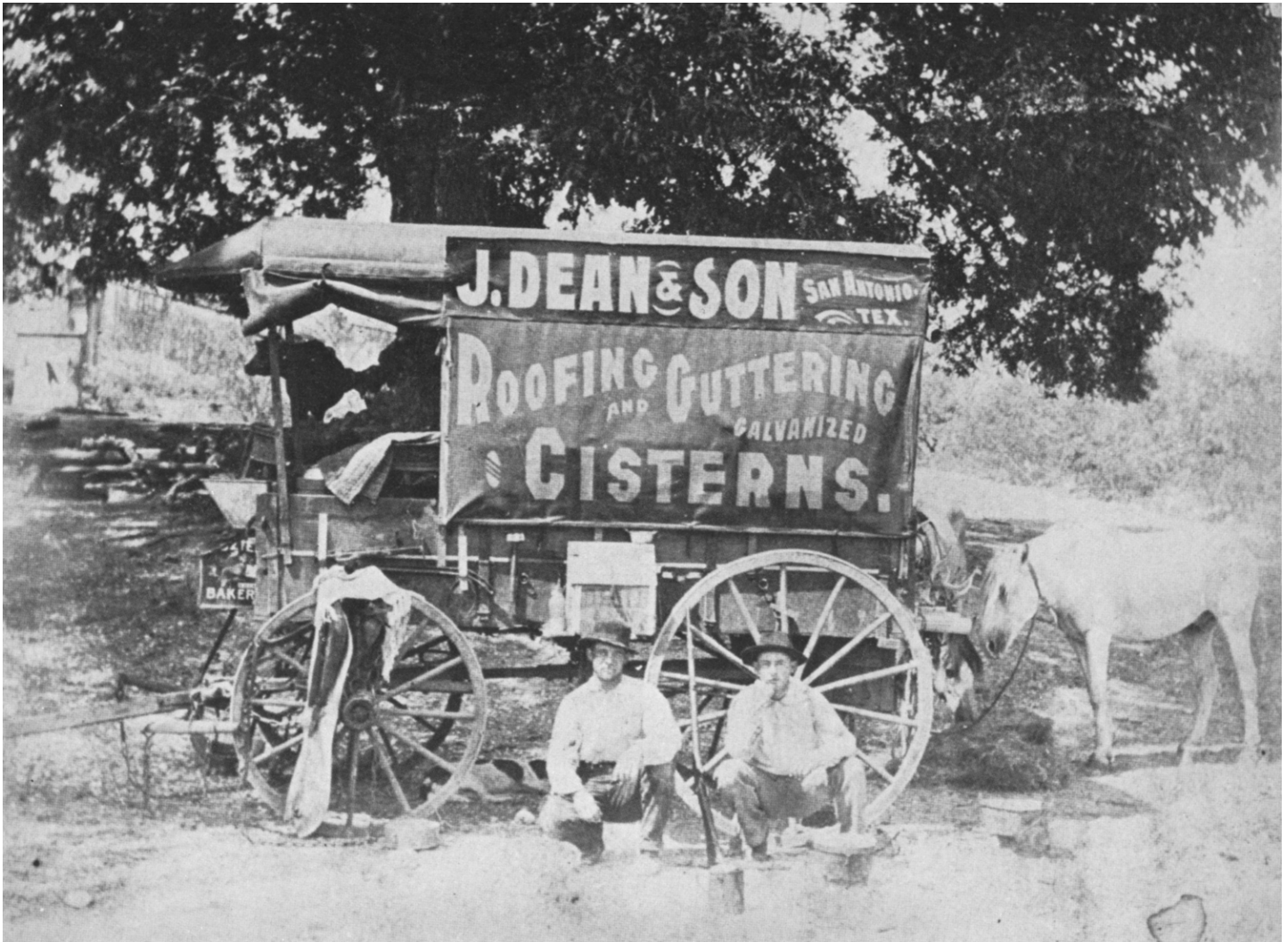


---

# DEAN STEEL





Deansteel Manufacturing Company is a privately owned family corporation with a long history in the sheet metal business. Joseph Dean, Sr. great-grandfather of company president, John Dean, earned his skills in sheet metal through an Indentured Apprenticeship issued by the Crown of England. In 1879, he immigrated from Manchester England to San Antonio, and with his family, made and sold metal household articles such as pots and pans, stove pies, wash tubs and rain gutters to area residents. The Dean name soon became well known throughout Central and South Texas as a mark of quality in sheet metal products.

At the close of World War II, Albert Dean, Jr., grandson of Joseph Dean, returned to San Antonio from the Navy. Through hard work and determination, he eventually acquired the sheet metal shop on South Flores Street started by his uncle. Albert Dean founded what is know today as Deansteel Manufacturing Company. Deansteel's first job was doors and frames for the Laredo (Texas) Hospital and were formed on a four foot press brake. Since that first job in 1948, Deansteel's product lines have expanded to include doors and window frames for commercial, marine, self-service storage and security application as well as marine furniture and interior wall systems.

Today, Deansteel's production facility encompasses approximately 100,000 square feet of floor space, is equipped with some of the most modern fabricating equipment available, and enjoys business worldwide. Despite this phenomenal growth, the management of Deansteel maintains its "small business" brand of relationship with customers and employees, resulting from a sincere, personal desire to fulfill the needs of their customers. Deansteel's pattern of growth is expected to continue as a result of keen financial and operation planning, the development of new, innovative products and entrance in the, untouched markets.

## DEANSTEEL STANDARD DOORS

Deansteel standard doors are manufactured from stretcher level quality, cold rolled steel. The polystyrene core insures a continuous bond of metal skin to core. The polystyrene core also provides good sound deadening qualities and low thermal conductivity. All standard doors are thoroughly cleaned and phosphatized to inhibit corrosion and increase paint adherence. A one coat primer provides further protection from corrosion and

serves as an excellent base for field painting.

Deansteel standard doors are available in 1-3/8" [35mm] and 1-3/4" [45mm] thicknesses and constructed of 16 [1.3mm], 18 [1.0mm] and 20 [.08mm] ga. cold rolled steel. Also available on a custom order basis are doors constructed of zinc-coated steel and stainless steel sheets.

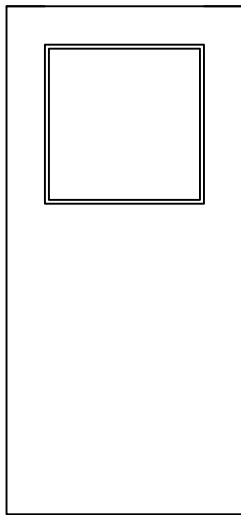
Doors are available in all popular standard widths and 6'-8" [2032mm], 7'-0" [2134mm] and 8'-0" [2438mm] heights. Door hardware preparation

includes 1-1/2 pair 4-1/2" [113mm] hinges on 6'-8" [2032mm] and 7'-0" [2134mm] doors, and 2 pair 4-1/2" [113mm] hinges on 8'-0" [2438mm] doors. Lock preparations include cylindrical government series 161 with 2-3/4" [70mm] backset, government series 86 mortise blank and rim and vertical rod exit device reinforcement.

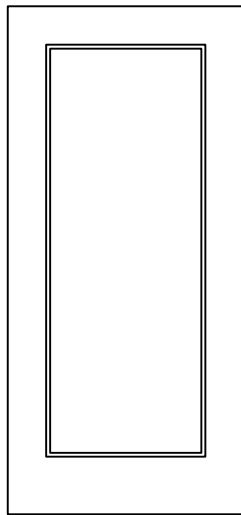
All standard doors and frames meet or exceed specifications set forth by the Steel Door Institute.



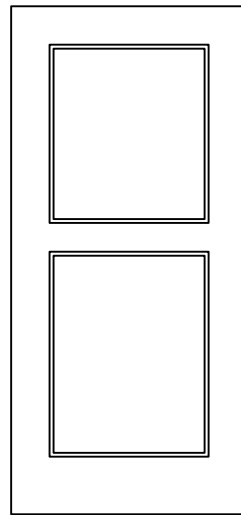
F



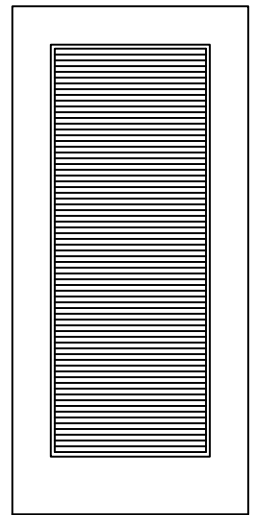
G



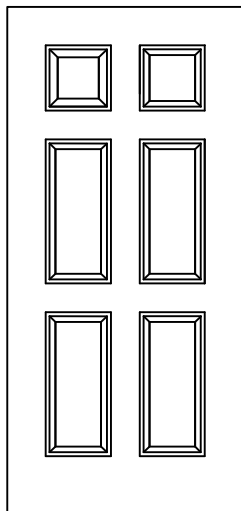
FG



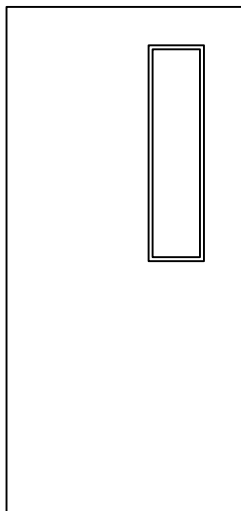
FG2



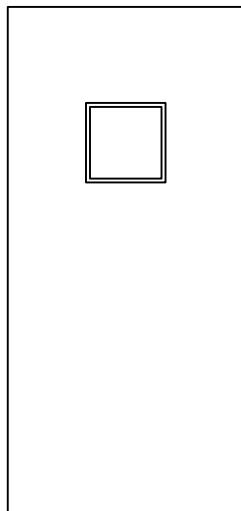
FL



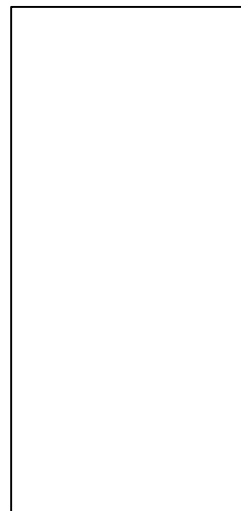
6P



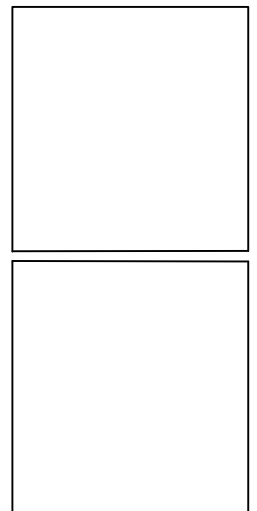
N



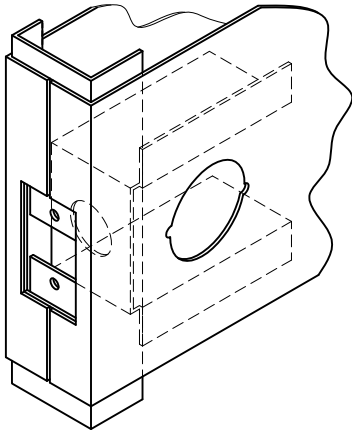
V



L

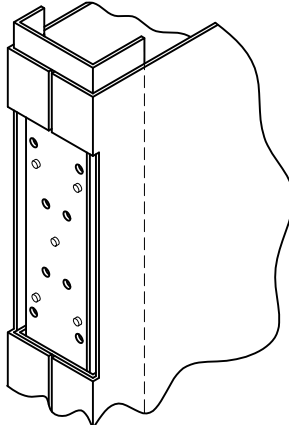


D



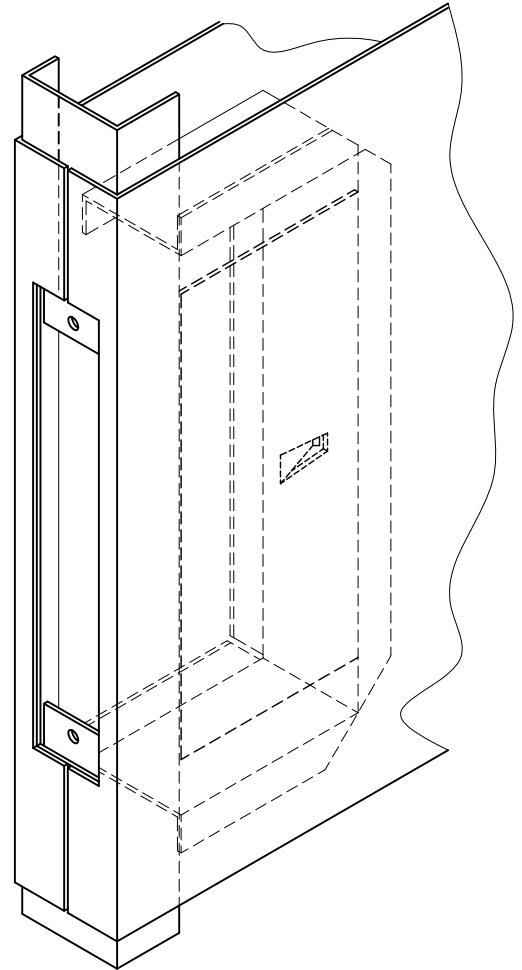
### Door w/ 161 lock prep.

Both 1<sup>3</sup>/<sub>8</sub> [35mm] and 1<sup>3</sup>/<sub>4</sub> [45mm] doors are prepared for cylindrical locksets with 2<sup>3</sup>/<sub>4</sub> [70mm] backset. Internal reinforcing for lock is 20 Ga. [.08mm] and spotwelded inside door.



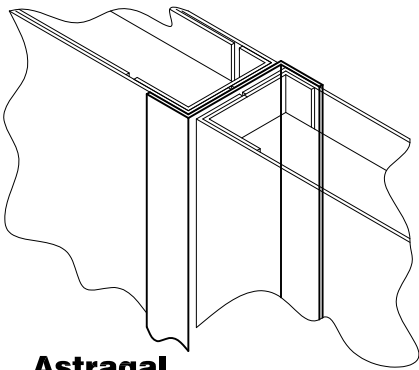
### Hinge Reinforcement

7 Ga. [4.3mm] hinge reinforcement is projection welded to a continuous channel. Hole pattern in the hinge reinforcement provides for reversible swing doors as well as heavy weight and standard weight hinge combination.



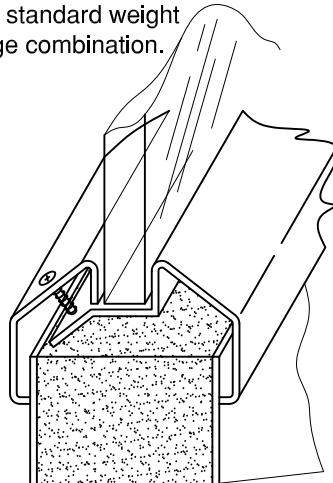
### Door w/ Mortise blank lock prep.

1<sup>3</sup>/<sub>4</sub> [45mm] standard doors are available in mortise blank lock preparation. 16 Ga. [1.3mm] internal reinforcing is spotwelded inside door.



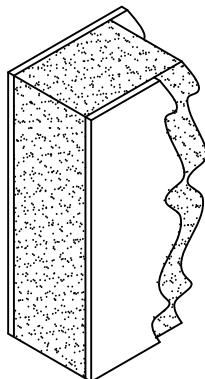
### Astragal

Overlapping "Z" type astragal provides wind and weather protection of meeting edges of pairs of doors.



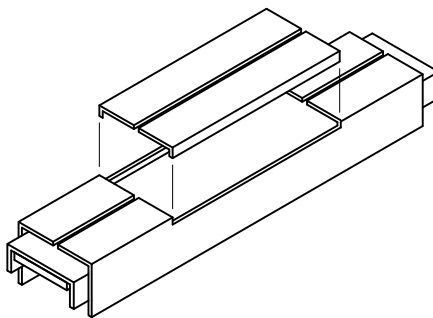
### Glass Light Frame

20 Ga. [.08mm] steel light frame with glass retention for 1<sup>3</sup>/<sub>4</sub> [45mm] doors.



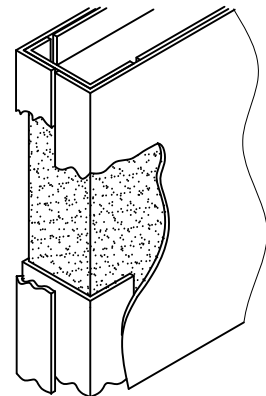
### Polystyrene Core (Standard)

Polystyrene of one pound per cubic foot density provides a continuous bond of core to face sheets and low thermal conductivity.



### Multi-Fit Replacement Door

Blank door has continuous 16 Ga. [1.3mm]. Hinge Channel with 10 Ga. [3.4mm] reinf. Full Height. Simply remove edge skin and drill and tap for hinges. Available from stock in 14 variations.



### Standard Door Construction

16 Ga. [1.3mm] hinge, lock and top & bottom channels provide the strength and durability normally associated with custom or security metal doors.

## STEEL DOOR CONSTRUCTION

Deansteel standard doors are constructed of 16 [1.3mm], 18 [1.0mm] or 20 [.08mm] gauge cold-rolled stretcher level quality steel and are full flush construction 1-3/8" [35mm] or 1-3/4" [45mm] thick. Door skins are brake formed at the edges and spot welded and plug welded to 16 [1.3mm] gauge perimeter channels.

7 [4.3mm] gauge combination std/hvy hinge reinforcements are projection welded to a one piece, full height channel. Internal lock reinforcements are spot welded to the door. Doors have vertical seams on edges. Seamless doors (edges filled and ground) are also available.

The standard core is a polystyrene slab core. It is bonded under pressure to both door skins with a continuous coat of pressure sensitive

adhesive. After doors are thoroughly cleaned and phosphatized to inhibit corrosion, doors receive one coat of primer. Deansteel doors have square edges and are non-handed. Handing is accomplished with hinge filler plates. Also available on a custom order basis are doors constructed of zinc-coated sheets and stainless steel sheets.

Hardware preparation for standard doors include:

### Lock Preparation

1-3/8" [35mm] - L1 Government 160 cylindrical with 2-3/4" [70mm] backset (ANSI-A115.2)

1-3/4" [45mm] - L1 Government 161 cylindrical with 2-3/4" [70mm] backset (ANSI-A115.2)

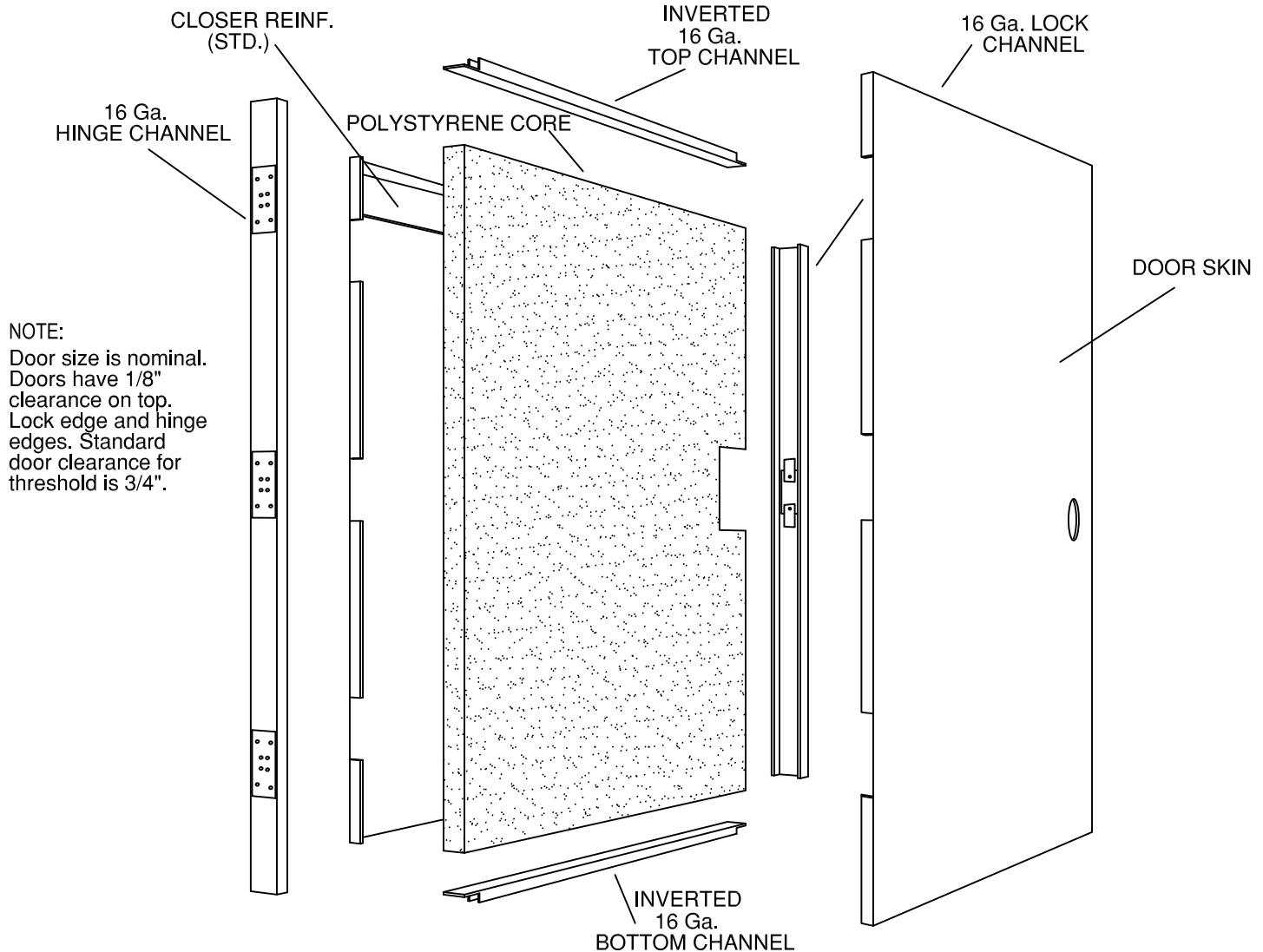
MB- Government 86 mortise at door edge only. (ANSI A115.1) Door faces are blank.

### Hinge preparation

- 1/4" [6mm] backset on doors.
- 1 3/8" 35mm 6'-8" [2032mm] high-1 pair 3 1/2" [89mm] regular wt.
- 1 3/8" 35mm 7'-0" [2134mm] high-1 1/2 pair 3 1/2" [89mm] regular wt.
- 1 3/4" [45mm] 6'-8" [2032mm] & 7'-0" [2134mm] high - 1 1/2 pair 4 1/2" [113mm] regular wt.
- 1 3/4" [45mm] 8'-0" [2438mm] high-2 pair 4 1/2"\* [113mm] regular wt.

Hinge preparations are for full mortise template hinges.

\* 4 1/2 [113mm] standard weight hinge reinforcements are easily modified to accept 4 1/2" [113mm] heavy weight hinges.



## "BR" SERIES BULLET RESISTANT DOORS AND FRAMES

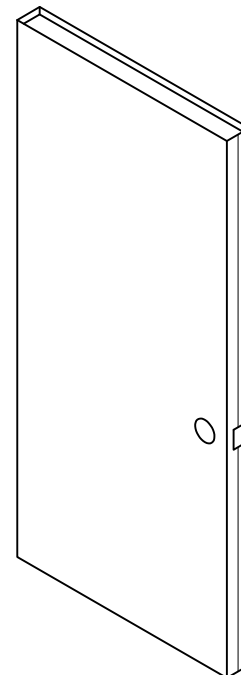
"BR series doors and frames are tested to the rigorous standards of UL test 752 by the Southwest Research institute. Level 1 thru 8 and Supplementary Shotgun are available in flush units or can be purchased with provisions for glass lights, the doors can be delivered with or without the bullet resistant glass installed. The bullet resistant door and frame series is available in opening sizes from 2'-0" x 6'-8" [610mm x 2,032mm] up to 4'-0" x 8'-0" [1,219mm x 2,438mm] and for all wall conditions.

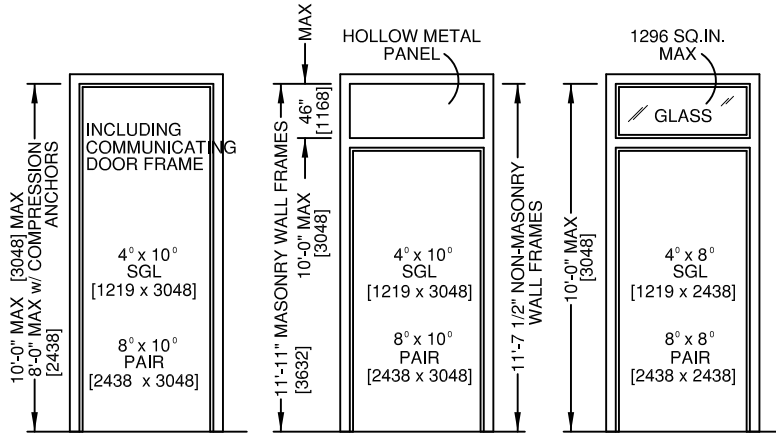
Deansteel's Bullet Reistant's doors and frames are also available to resist a .50 caliber military ball and .50 caliber armor piercing projectiles.

UL 752			NIJ 0108.01			ASTM F1233		
Level 1	9mm	3 Shots	Level I	22 Long Rifle	5 Shots	HG1	.38 Special	3 Shots
Level 2	.357 Magnum	3 Shots		.38 Special	5 Shots	HG2	.357 Magnum	3 Shots
Level 3	.44 Magnum	3 Shots	Level II	.357 Magnum	5 Shots	HG3	9mm	3 Shots
Level 4	.30 Caliber	1 Shot		9mm	5 Shots	HG5	.44 Magnum	3 Shots
Level 5	7.62mm	1 Shot	Level III	7.62mm	5 Shots	R1	.223 (5.56mm)	3 Shots
Level 6	9mm	5 Shots	Level IIA	.44 Magnum	5 Shots	R2	.30-06	3 Shots
Level 7	5.56mm	5 Shots		9mm	5 Shots	R3	.308 Winchester	3 Shots
Level 8	7.62mm	5 Shots	Level IV	.30-06 Armor Piercing	1 Shot	R4-AP	.30-06 Armor Piercing	1 Shot
Supplementary Shotgun	12 gauge buckshot & slug					SH1	Shotgun Buck Shot	1 Shot
						SH2	Shotgun Slug	3 Shots
						SMG	Submachine Gun	3 Shots

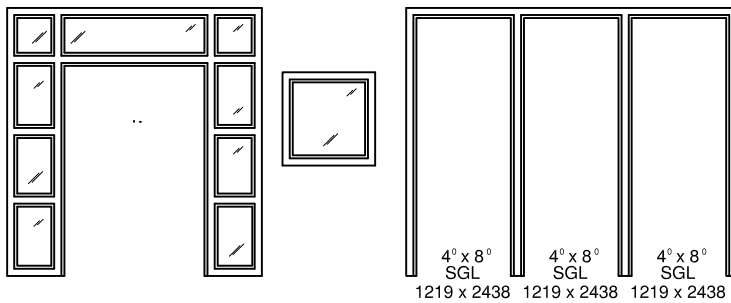
## "SQ" SERIES ACOUSTICAL STEEL DOOR & FRAME SYSTEM

Tested in conformance with ASTM E 90-97 & ASTM E 413-87. Mid and High range sound reduction through STC 48. Complete with perimeter sound seals, threshold and bottom seal. 16 Ga. doors and 14Ga. welded frames up to 4'-0" x 8'-0" [1219mm x 2438mm] including anchors. Unit is prepared for 4 1/2" [114mm] standard weight hinges and cylindrical or mortise lock preparation. Doors have closed top and bottom caps. Flush doors only.





DEANSTEEL DISTRIBUTOR UL AND WH EXTENSION PROGRAM IS AVAILABLE



## FIRE RATED FRAMES

Deansteel also provides approved fire rated frames. Standard frames as well as drywall frames have been tested in accordance with UL10B, UL10C and UBC 7-2 and listed by Underwriters Laboratories (UL) and Warnock Hersey (WH). They are available with labels from 3 hours to 20 min.

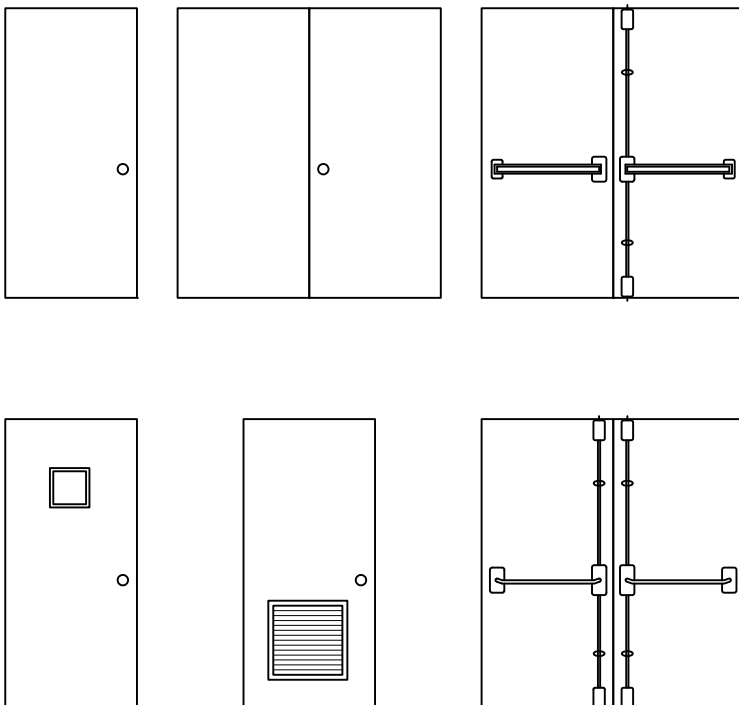
Three sided labeled frames can be furnished K.D. (knocked down) or set up (welded) with various loose ("T" masonry, wire masonry, existing wall or UNA twist in stud) anchors. Stock frames come with embossed UL label on each hinge jamb. All frames can be furnished with 6" Hospital stops. Labeled three sided frames are available for the following applications:

- Single opening.
- Double opening - Pairs swinging in the same direction.
- Double opening with a mullion (stationary or removable).
- Double Egress - use in corridor applications.
- Communicating - two doors swinging from the same hinge jamb.
- Multiple opening - combination of hinge and/or strike jamb and vertical mullions.
- Labeled frame assemblies for use as borrowed lights (windows). Transom / side panels and transom / side lights are available in a variety of configurations and must be of welded construction.
- Glass for assemblies can be wire glass or laminated or solid ceramic glazing.

## FIRE RATED DOORS

Deansteel fire rated doors have been tested in accordance with UL10B, UL10C, UBC 7-2 and listed by Underwriters Laboratories (UL) and Warnock Hersey (WH). They are available with labels from 3 hours to 20 min. The size of glass lites is dictated by the required hourly rating. All glass used in fire rated doors must be listed glass and be either 1/4" [6mm] wire, laminated or solid ceramic material.

- Basic guidelines on glass are as follows:
- 3 hour - 100 sq. inch [.065m<sup>2</sup>] per door leaf (where permitted by the authority having jurisdiction) special glazing.
  - 1 1/2 hour - 100 sq. inch [.065m<sup>2</sup>] per door (wire glass) or 138 sq. inch [.086m<sup>2</sup>] (4) vision panels max. (special glazing)
  - 45 min. - 1296 sq. inch [0.84m<sup>2</sup>] per light neither dimension exceeding 54 inch [1372mm] (2856 sq. inch [1.84m<sup>2</sup>] with special glazing).
  - 20 min. - 1296 sq. inch [0.84m<sup>2</sup>] per light neither dimension exceeding 54 inch [1372mm] (2856 sq. inch [1.84m<sup>2</sup>] with special glazing).
  - 20 min. - without hose stream. 2971 sq. inch [1.93m<sup>2</sup>] per light (width 35 3/4" [908mm] x height 83 1/8" [2111mm]).
- Fire rated doors can be prepared for listed fusible link louvers. Maximum louver 24"x 24" [610mm x 610mm] max. rating 1 1/2 hours. Doors with louvers shall not be provided with glass lights, vision panels or fire exit hardware.



## STANDARD DOOR FRAMES

Deansteel standard door frames use the time-tested method of die cut mitered corners with integral tabs for its corner assembly. This assures secure locking of jambs to head with a minimum of time and effort.

## D SERIES SPECIFICATIONS:

Standard frames are manufactured from 16 ga. [1.3mm] cold-rolled steel. Frames are thoroughly cleaned and phosphatized to resist corrosion before receiving one coat of gray rust inhibiting primer.

Standard frames come in jamb depths of 4-3/4"[121mm], 5-3/4"[146mm], 6-1/4"[169mm], 6-3/4"[171mm], 7-1/8"[181mm], 7-3/4"[197mm], 8-1/4"[210mm] and 8-3/4"[222mm]. They are pre-punched for silencers, furnished with welded in plaster guards, 7ga. [4.3mm] hinge reinforcements and 16 ga. [1.3mm] combination strike reinforcements and mortar guard.

All 1-3/4"[45mm] door frames are prepared for ANSI-A115.1 and ANSI-A115.2, 4-7/8"[124mm] strikes.

All 1-3/8"[35mm] door frames are prepared for ANSI-A115.2, 2-3/4"[70mm] strikes. Hinge preparations for 1-3/4"[45mm] door frames are 4-1/2"[113mm]\* template type and 3-1/2"[89mm] for the 1-3/8"[35mm] doors.

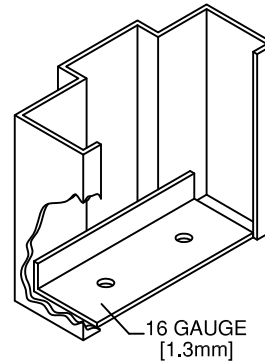
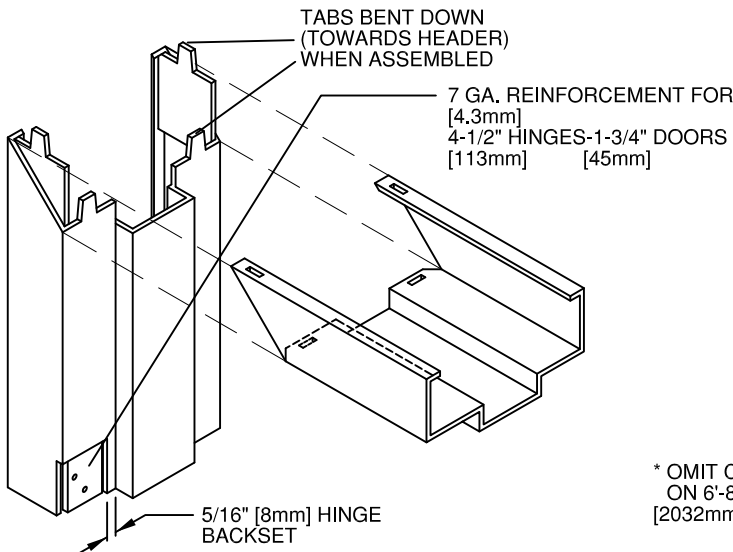
Custom frames are available in a variety of special jamb depths, face widths and sizes. They are available in 14 ga.[1.7mm], 16 ga.[1.3mm] and 18 ga.[1.0mm] steel in either cold-rolled, galvanized, or stainless steel construction.

U.L. and WH labeled frames are available. (Stock jambs have UL embossed label on each hinge jamb.)

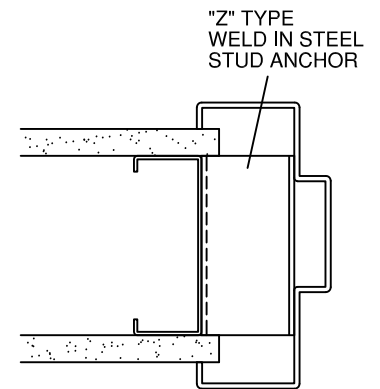
\*4-1/2"[113mm] standard weight hinge reinforcements are easily modified to accept 4-1/2"[113mm] heavy weight hinges.

DIMENSIONS IN [ ] ARE MILLIMETERS

## MASONRY OR DRYWALL FRAMES (D SERIES)



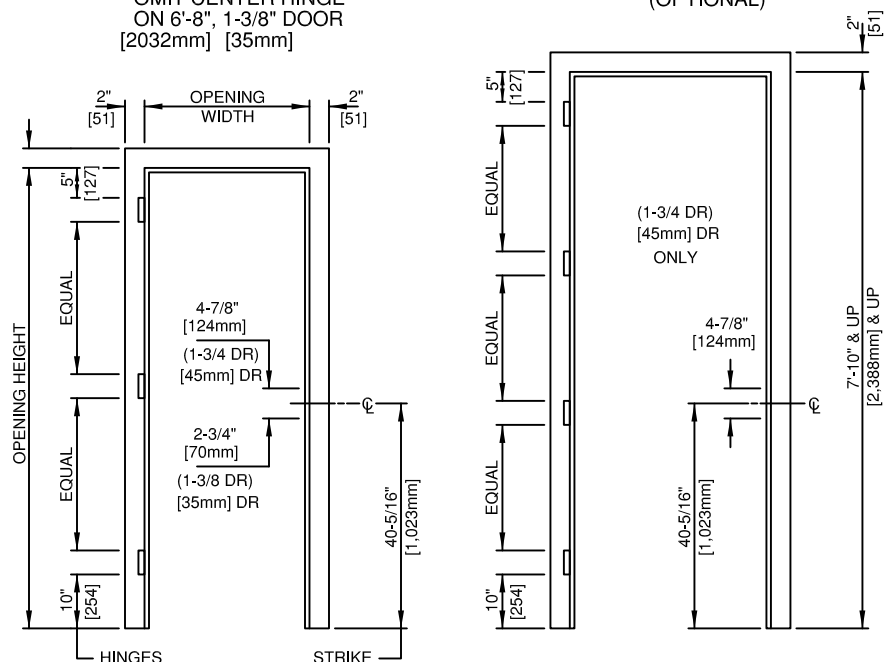
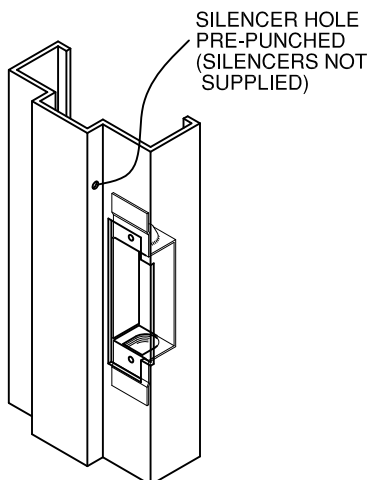
FLOOR ANCHOR



WSS (OPTIONAL)

\* OMIT CENTER HINGE ON 6'-8", 1-3/8" DOOR [2032mm] [35mm]

## KNOCKED DOWN CORNER DETAIL

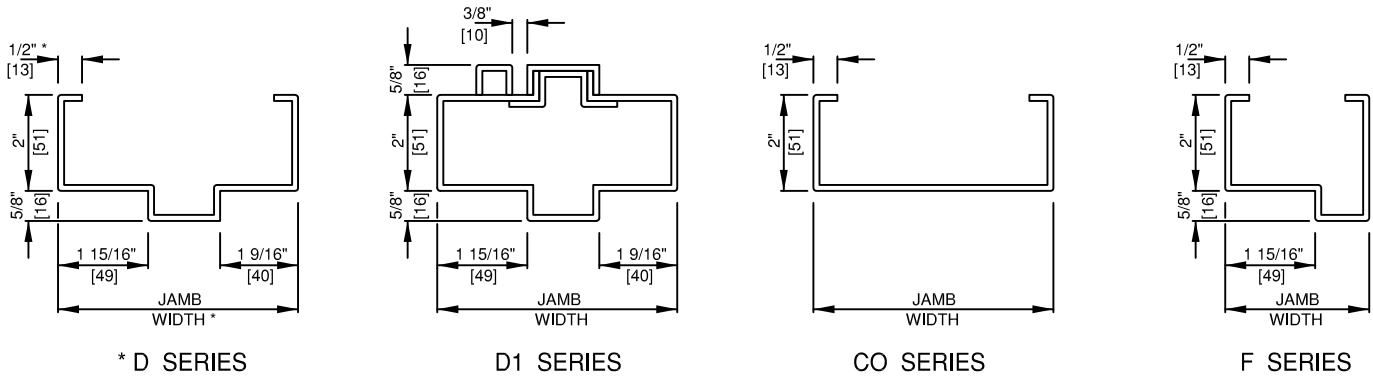


4-7/8" [124mm] STRIKE REINFORCEMENT

HARDWARE LOCATIONS



## STANDARD FRAME PROFILES

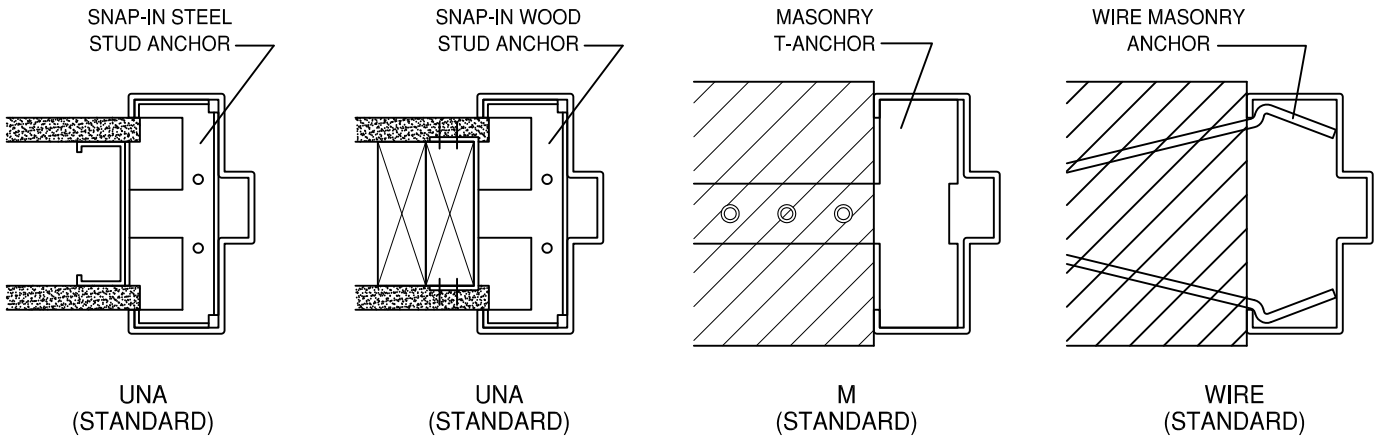


\* DEANSTEEL'S STANDARD 5-3/4"[146mm] "D" PROFILE FRAME IS FURNISHED WITH 7/16"[11mm] FLANGE RETURNS AND A 4-7/8"[124mm] THROAT OPENING UNLESS OTHERWISE SPECIFIED.

## STICKS

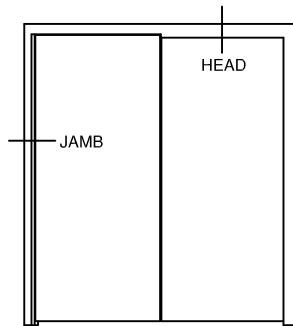
Most frame profiles are available in 10'-0"[3,048mm] lengths for distributor fabrication.

## WALL ANCHORS

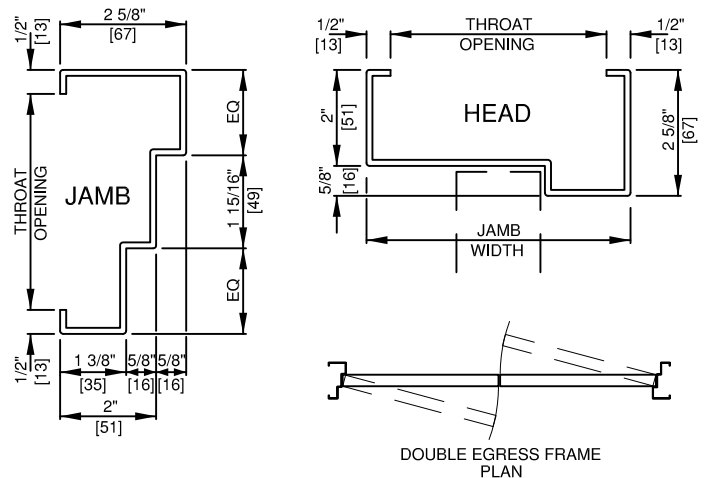


## DOUBLE EGRESS FRAMES

These frames are designed to permit a means of egress in two directions without center mullions, suited for schools, hospitals and nursing homes where the control of traffic is very important. The unit is available either labeled or non-labeled.



DOUBLE EGRESS FRAME ELEVATION



DOUBLE EGRESS FRAME PLAN

## DRYWALL FRAMES (DW SERIES)

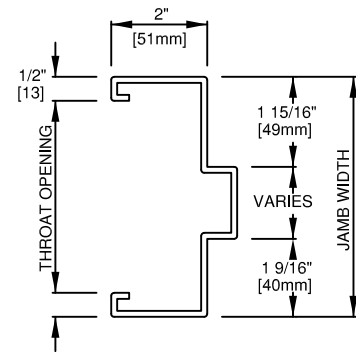
Deansteel drywall frames are designed to be installed after partition walls are in place. The variety of throat openings available allow the drywall frame to be used with almost any condition of metal or wood stud and partition board.

### Specifications:

DW series frames shall be manufactured from 16 Ga.[1.3mm] cold rolled steel with 18 Ga.[1.0mm] available on special order basis. Frames shall be knocked-down with double returns, mitered corners at head and jambs, corners reinforced with concealed clips. Each jamb shall have one compression anchor and prepunched mounting holes at the base for easy installation. Frames are prepared for 1-1/2 pair 4-1/2"[113mm] hinges and ASA(4-7/8") [124mm] strike. Mortar covers for hinge reinforcements are optional. Frames come with standard coat of gray rust inhibiting primer. Minimum hardware requirements:

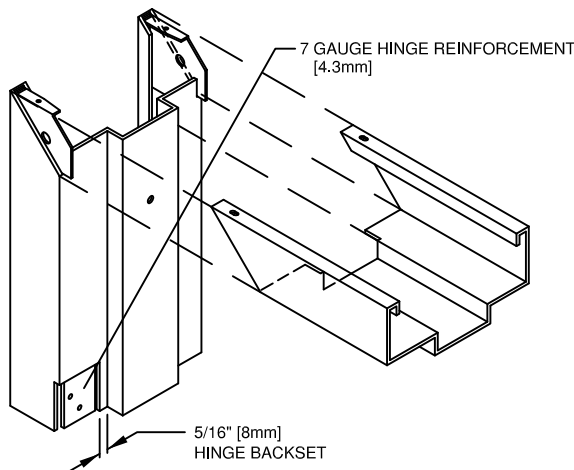
hinge reinforcements for 4-1/2"[113mm] hinges	7 gauge [4.3mm]
hinge reinforcements for 3-1/2"[89mm] hinges	10 gauge [3.4mm]
closer reinforcements	12 gauge [2.5mm]
strike reinforcements	14 gauge [1.7mm]
surface mounted hardware	12 gauge [2.5mm]

UL and WH labeled frames available. (Stock jambs have UL embossed label on each hinge jamb.)

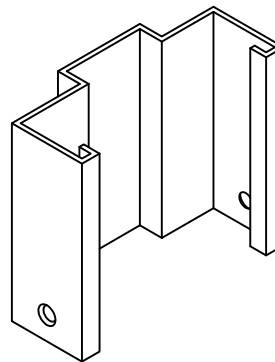


**DRYWALL FRAME PROFILE**

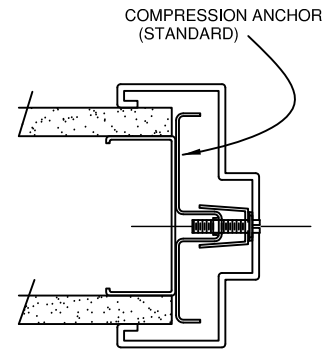
Rough opening for "DW" frames:  
Door opening width + 2 1/4" [57mm].  
Height + 1" [25mm]



**KNOCKED DOWN CORNER DETAIL**



**DWS FLOOR ANCHOR**



**DW ADJUSTABLE ANCHOR**

# DEANSTEEL

## DOOR AND FRAME SPECIFICATIONS

### 1. GENERAL

Scope: This specification applies to steel frames, doors and hollow metal work such as side lights, borrowed lights and transom panel frames as shown on the architect's plans and schedules and as manufactured by Deansteel Mfg. Company, San Antonio, Texas.

WORK NOT INCLUDED: Installation of frames and doors, glass and glazing, field drilling and tapping for surface applied hardware, field painting of prime-painted doors and frames. Protection at the building site of items furnished under this specification.

SHOP DRAWINGS: Doors, frames, hardware and hollow metal work shall be as shown on shop drawings and schedules and shall be approved by the architect.

U, R AND STC VALUES: Installation properties for 1-3/4" [45mm] thick doors. The insulation SP series polystyrene core door shall have a "U" factor of .24, a "R" factor of 4.16 and a "STC" rating of 32. The SF series urethane core door shall have a "U" factor of .079, a "R" factor 12.66, and a "STC" rating of .26. The "U" and "R" factor and "STC" rating listed above are derived from calculations based on core characteristics.

### U.L. and W.H. LABELED FIRE DOORS AND FRAMES:

All UL and WH labeled doors and frames shall be manufactured in compliance with current procedures for the tested products and shall be subject to inspection by representatives of the labeling agency. A physical label shall be affixed or embossed to the fire door or fire frame at an authorized facility as evidence of compliance with procedure of the labeling agency.

**STORAGE AND HANDLING:** Doors and frames shall be received by the contractor at the job site and handled in a manner so as not to be damaged. They shall be stored upright in a protected area on wood runners or skids and shall be covered with vented tarpaulins or vented plastic. Warranty requires storage in a cool dry place

**SHOP FINISH:** All doors and frames shall be thoroughly cleaned, phosphatized to inhibit corrosion and receive one coat of gray rust-inhibiting prime paint. The prime paint meets or exceeds the requirements for prime paint that is specified in ANSI A250.10 "Test Procedure and Acceptance Criteria for Prime Painted Steel Surfaces for Steel Doors and Frames"

**FINISHED PAINTING:** The prime paint finish on the doors and frames is designed to provide protection during normal storage, shipping and installation at the job site, and to provide a uniform base for finish painting. It is recommended that a good top coat of paint be applied to the door and frame after installation is completed. It is the responsibility of the user to maintain the integrity of the finish after installation. Low gloss oil based trim paints are recommended as a finish paint. **WE DO NOT RECOMMEND THE USE OF WATER BASED FINISH COATS SUCH AS LATEX, ACRYLIC, POLYVINYL ACETATE EMULSION FINISHES.** However, if any of these materials are used as a finish coat, you should first reprime the door and frame with a primer recommended by your paint manufacturer for bare metal. If the door is not primed, all scratches and nicks that expose bare metal will develop rust.

**INSTALLATION OF DOORS AND FRAMES:** To be done by the general contractor. Installation shall be plum, straight and true; rigidly secured in place and property braced.

## 2. DOOR CONSTRUCTION

Doors shall be steel construction and conform to specifications in Steel Door Institute Standard ANSI/SDI A250.8 (revision of ANSI/SDI 100). Doors shall be fabricated from stretcher level quality cold-rolled steel sheets conforming to ASTM A1008 (was ASTM A366) or stretcher level quality hot dipped galvanized steel sheets, conforming to ASTM A653 which exhibits a smooth gray matt surface and which is chemically treated to promote good paint adhesion, and in 16 [1.3mm], 18 [1.0mm] or 20 [.08mm] gauge with no visible seam on either face. Lock edges shall be non-beveled.

**SP Series** Doors (Polystyrene) shall be 1-3/4" [45mm] thick, of composite construction. The interior of the door shall be filled with a rigid sheet of one pound density polystyrene which is securely bonded to both face sheets. The vertical edges shall be reinforced by a 16 [1.3mm] gauge minimum channel spot-welded to the face sheets. All lock and hinge reinforcements shall be drilled and tapped by the manufacturer. Hinge preparations for SP doors are non-handed with hinge edge filler plates included.

**SV Series** Doors (Vertically Stiffened) shall be 1-3/4" [45mm] thick of hollow metal construction and shall have continuous 20 [.08mm] gauge vertical stiffeners spaced not to exceed six (6) inches [152mm] apart. All spaces between stiffeners shall be insulated w/ mineral wool insulation. The vertical edges shall be reinforced by a 16 [1.3mm] gauge minimum continuous steel channel extending full height of the door. The top and bottom of the door shall be reinforced by 16 [1.3mm] gauge minimum channel spotwelded to the face sheets. All lock and hinge reinforcements shall be drilled and tapped by the manufacturer. Hinge preparations for SV doors are non-handed with hinge edge filler plates included.

**SS Series** Doors (Stainless Steel) shall be 1-3/4" [45mm] thick of hollow metal construction. A one piece resin impregnated Honeycomb core shall be securely bonded to both face sheets. The vertical edges shall be reinforced by a 16 [1.3mm] gauge minimum channel spot-welded to the face sheets. All lock and hinge reinforcements shall be drilled and tapped by the manufacturer. SS series doors are handed. Polystyrene core is standard except at fire rated applications.

**ST Series** Doors (Temperature Rise) shall be 1-3/4" [45mm] thick of composite construction. A one piece mineral board core shall be securely bonded to both face sheets. The vertical edges shall be reinforced by 16 [1.3mm] gauge minimum channels spotwelded to the face sheets. All lock and hinge reinforcements shall be drilled and tapped by the manufacturer. Hinge preparations for ST doors are non-handed with hinge edge filler plates included.

### HARDWARE REINFORCEMENTS:

Hinge reinforcement	
for 4-1/2" [113mm] hinges	7 [4.3mm] gauge
for 3-1/2" [89mm] hinges	10 [3.4mm] gauge
Lock reinforcement	14 [1.7mm] gauge
Closer reinforcement	14 [1.7mm] gauge
Lock support	20 [.08mm] gauge
Exit device	14 [1.7mm] gauge
Other surface mounted hardware	16 [1.3mm] gauge

Doors are thoroughly cleaned and phosphatized to resist corrosion before receiving one coat of gray rust inhibiting primer.

### 3. FRAME CONSTRUCTION

1. Frames shall be made of commercial grade cold-rolled steel conforming to ASTM A1008 (was ASTM A366) in 16 [1.3mm] gauge with optional 14 [1.7mm] and 18 [1.0mm] gauge available. Frames shall be designed with integral stop and trim. Frames shall be mitered with self-aligning tabs and slots for securely locking corners. Reference ANSI/SDI-250.8.

2. All finished work shall be strong rigid and neat in appearance, square, true and free of defects, warp or buckle. Welded frames shall have trim faces mitered and welded and finished smooth.

3. Frames shall be mortised and reinforced for hardware. Drilling and tapping done at the factory for template mortised hardware only in accordance with approved schedule and templates provided by the hardware contractor. Minimum hardware requirements:

Hinge reinforcement	
for 4-1/2" [113mm] hinges	7 [4.3mm] gauge
for 3-1/2" [89mm] hinges	10 [3.4mm] gauge
Strike reinforcement	14 [1.7mm] gauge
Closer reinforcement	12 [2.5mm] gauge
Surface mounted hardware	12 [2.5mm] gauge

4. D Series Frames shall be provided with weld-in 16 [1.3mm] gauge sill anchor in each jamb. Three field insertion steel lock-in anchors (four for 8'-0" [2438mm] jamba) shall also be provided for each jamb. The type of anchor provided is governed by the wall condition specified.

5. All frames shall be provided with dust cover boxes or mortar guards of not less than 20 [.08mm] gauge at all hardware mortises on frames to be set in masonry walls, optional on drywall frames. All strike jamba shall be prepared to receive three rubber silencers.

6. All welded frames shall be provided with a temporary steel spreader welded to the bottom of the jamba to serve as bracing during shipping (not for installation).

7. All frames to be thoroughly cleaned and phosphatized to inhibit corrosion. Frames to receive one coat of gray rust inhibiting prime paint.

8. Deansteel also offers custom products. Galvanized frames conforming to ASTM A653 and A924 available in 14 [1.7mm] or 16 [1.3mm] gauge.

9. Stainless steel is available manufactured of type 304 or 316 stainless steel to a #3 polish. All internal reinforcements are of stainless steel material.

**NOTE:** Deansteel reserves the right to make any changes in specifications, design or construction, and to make improvements to its products without prior notice and without incurring any obligation to incorporate such changes in products previously manufactured.



# DEANSTEEL

MANUFACTURING COMPANY INC.

111 Merchant Street, San Antonio, Texas 78204

210-226-8271 1-800-825-8271 Fax 210-226-0913

[WWW.DEANSTEEL.COM](http://WWW.DEANSTEEL.COM) [SALES@DEANSTEEL.COM](mailto:SALES@DEANSTEEL.COM)