

# 18" Installation Instructions



10821 North 23rd Avenue  
Phoenix, AZ 85029  
800-363-9865  
www.nltubular.com

**IMPORTANT:** Please take the time to read through the ENTIRE instructions prior to starting any work. Light Pipe material is very sharp when cut. Please use extreme caution when handling the light pipe. AVOID LEAVING THE PIPE EXPOSED TO THE SUN WITHOUT THE PROTECTIVE COATING OR DIFFUSERS IN PLACE PRIOR TO INSTALLATION.

## PARTS LIST

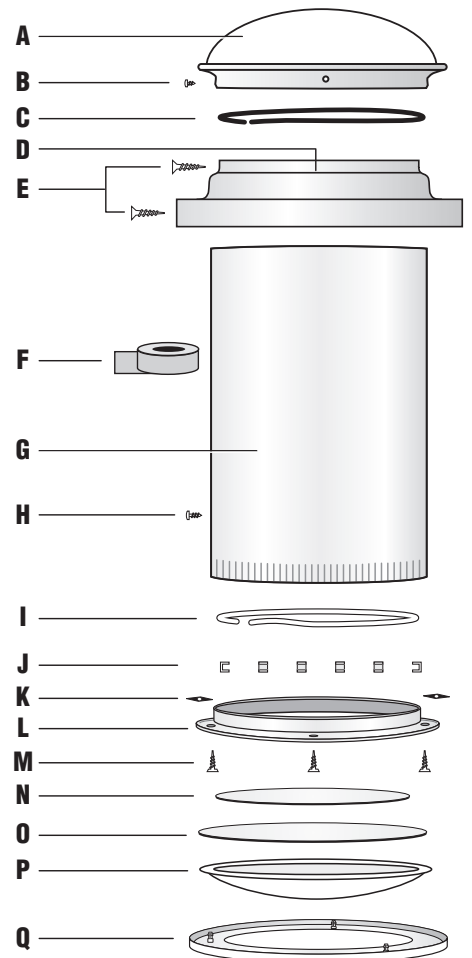
- A. Clear UV Protected, High Impact Acrylic Dome
- B. (4) Phillips Head Stainless Steel 1/4" Self-Tapping Screws
- C. Black Nylon Horse Hair Gasket (self-adhesive)
- D. Commercial Pure Grade, 1100 Series Aluminum Flashing
- E. (12) 1 1/2" Phillips Head Stainless Steel Screws
- F. Heavy Duty Foil Tape
- G. (2) 24" Light Pipe Sections
- H. (4) Phillips Head Stainless Steel 1/2" Sheet Metal Screws
- I. White Nylon Horse Hair Gasket (self-adhesive)
- J. (8) U-channel PVC self-adhesive tabs
- K. (3) Black Speed Nuts
- L. Ceiling Ring
- M. (3) 1 1/2" Phillips Screws
- N. (2) Small Clear Polycarbonate Lenses
- O. (1) Large Clear Polycarbonate Lens
- P. High Impact Acrylic Diffuser
- Q. White Powder Coated Aluminum Trim Ring

## TOOLS NEEDED

- Reciprocating Saw
- Measuring Tape
- Driver & Bits
- Phillips Screwdriver
- Clamp
- Caulking Gun
- Stud Finder
- Marking Pencil
- Tin Snips
- Flashlight
- Ladder
- Wire

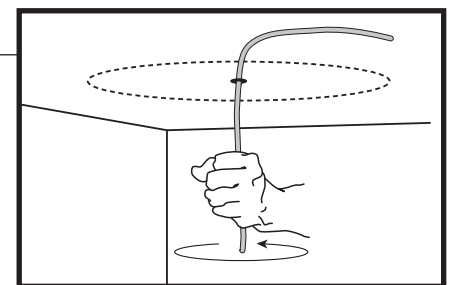
## MATERIALS & TOOLS NEEDED TO BUILD CURB

- 2" x 10" Pressure Treated Lumber
- Hand or Circular Saw
- Wood Screws
- Galvanized Nails
- Roofing Material (to match existing roofing)



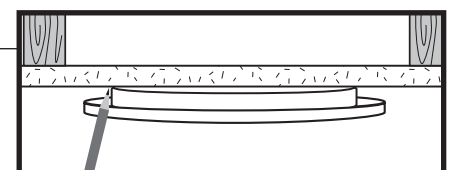
## Step 1

Find the desired location for the ceiling trim ring and ensure that there are no obstructions in the attic space between the roof and ceiling. With a stud finder locate the ceiling joists and center the ceiling ring between joists as close to the desired installation area as possible. Mark the center of the ceiling ring, drill a hole and insert piece of wire bent at a 90 degree angle. Rotate the wire around 360 degrees. While rotating, feel for resistance that could indicate wire runs or other obstructions.



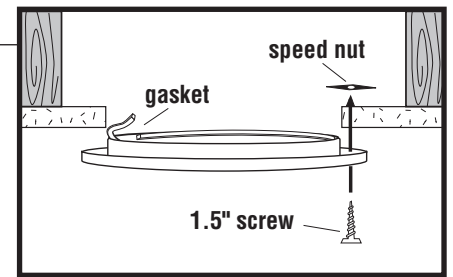
## Step 2

If there are no obstructions, scribe a mark around the ceiling trim ring (L), see diagram. Using a drywall saw, cut out the scribed mark in the ceiling.



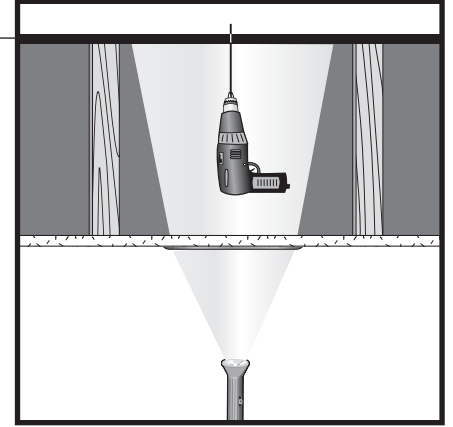
### Step 3

Peel the protective covering off the white horse hair gasket (I) and apply gasket to the INNER lip of the ceiling ring (L). This gasket ensures a dust free fit between the light pipe and the ceiling ring. Secure the ceiling ring to the ceiling by inserting a 1.5" flathead Phillips screw (M) into one of the three pre-drilled holes and screwing it up through the drywall into the speed nut (K) provided. Repeat this process for all three screws.



### Step 4

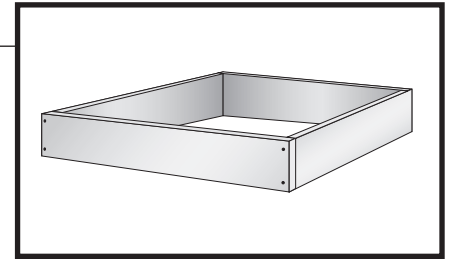
For the roof cutout, place a step ladder under the ceiling ring hole and place a flashlight on top of the ladder, the resulting flashlight beam will mark the location for the centering hole of the flashing unit on the roof. With a drill bit and appropriate extension rods, drill a pilot hole in the marked location on the bottom side of the roof. If there is access to the attic space, a plumb bob may also be used.



### Step 5

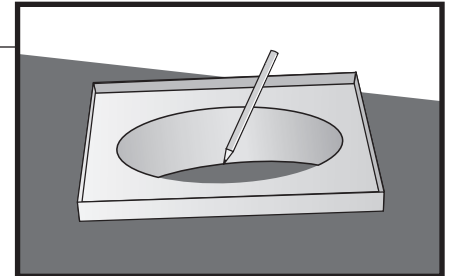
Assemble a curb with the **outside** dimensions slightly smaller than the width of flashing. **The size of curb will vary depending on roofing material.** Use pressure-treated lumber secured at all four corners with wood screws or galvanized nails (use 2" x 10" lumber - adhere to local building codes).

**NOTE:** Do not build curb prior to being on job site.



### Step 6

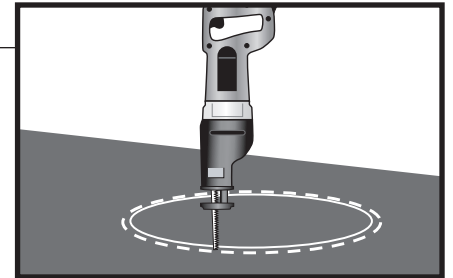
On the roof, find the desired location to install the 18" unit. Ensure that there are no obstructions (wiring, framing, etc.) to hinder the installation. Outline the diameter of the hole that the pipe will pass through by turning the flashing upside down and marking the inside of the flashing unit.



### Step 7

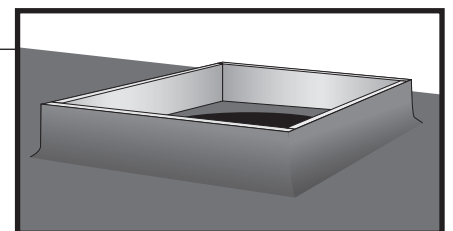
With a reciprocating saw, cut the diameter of the hole 1" larger than the area marked in Step 6 (shown as dashed line in diagram).

**IMPORTANT:** The light pipe must pass between the roof rafters. **DO NOT CUT THROUGH ANY FRAMING MEMBER.**



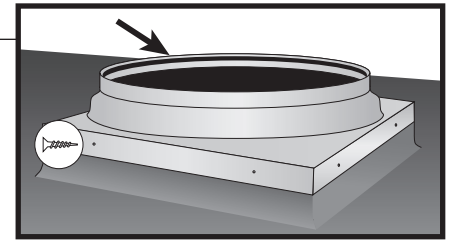
### Step 8

Center curb over opening and toe-nail into existing roofing using galvanized nails. If necessary, build blocking to ensure the curb is secure. Wrap curb with roofing material to prevent leaking.



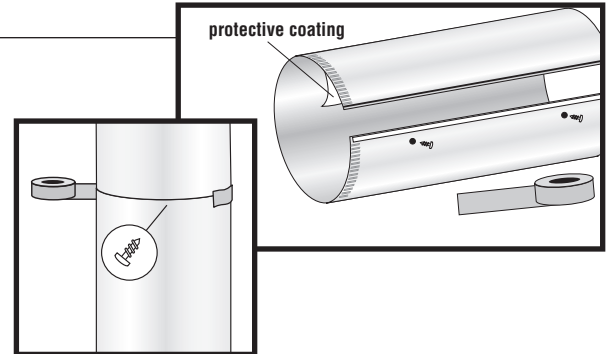
## Step 9

Attach the skylight flashing (D) to the curb using (8) 1 1/2" Phillips head stainless steel screws (F) provided through the pre-drilled holes on the skylight flashing lip. Peel the protective backing off the black nylon horse hair gasket (C) and apply gasket to the **INNER** lip the flashing collar.



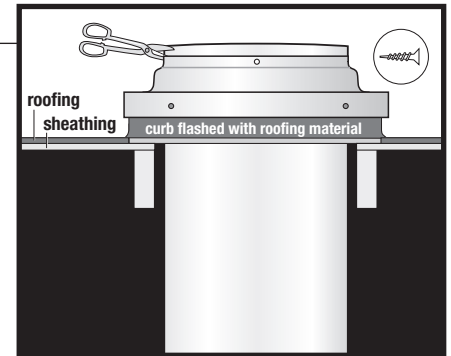
## Step 10

To assemble light pipe, peel back the protective coating that covers the mirror coating about 1" from the opposite edge of the double sided tape, remove paper cover over double sided tape and overlap and seal edges. Put pressure on both sides of seal to ensure a good bond. Secure tube using the (2) 1/2" sheet metal screws (H) provided. Then place foil tape (F) over the entire seam to strengthen seal. When joining two pipe sections together, place crimped end into the next section of pipe. Secure with a 1/2" sheet metal screws (H) provided and seal joints with foil tape.



## Step 11

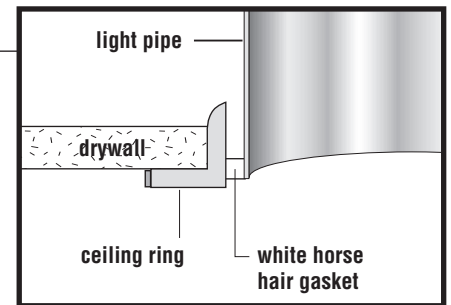
On the roof, Insert the pipe, crimped end down, through the flashing unit and gently rock pipe back and forth with slight downward pressure until pipe terminates evenly with the inner collar of the ceiling ring. Secure the light pipe to the flashing with the (4) Phillips flathead 1 1/2" screws (E) provided through the (4) pre-drilled holes on the flashing lip. (To prevent light pipe from slipping through the hole, clamp light pipe to flashing or have someone hold it in place until it is secured.) If there is excess pipe sticking out of the flashing, using tin snips, cut from the top down to the lip of the flashing and trim off the excess pipe. **NOTE: Use caution when handling the light pipe - edges of the light pipe are extremely sharp when cut.**



## Step 12

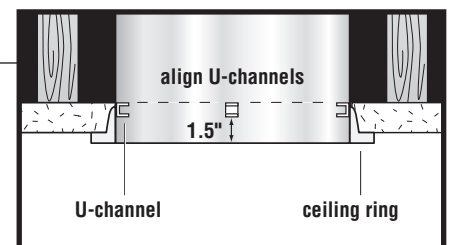
At the ceiling, using tin snips, trim any excess light pipe that is not even with the inner collar of the ceiling ring.

**NOTE: Use caution when handling the light pipe - edges of the light pipe are extremely sharp when cut.**



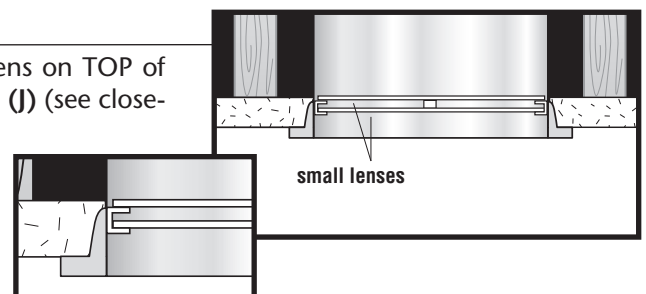
## Step 13

Remove paper backing from the adhesive tape on the U-channels (J) and place 1.5" from bottom of light pipe equidistant from each other so legs of the U-channels align vertically.



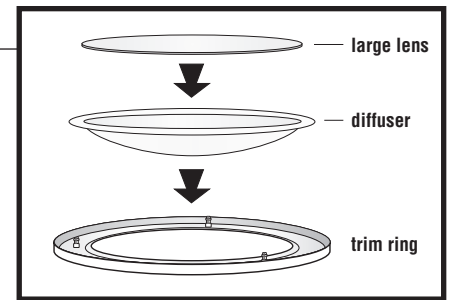
## Step 14

Remove protective film from **both sides** of small lenses (N). Place one lens on **TOP** of the U-channel leg (J) and the other lens on the **BOTTOM** of U-channel leg (J) (see close-up).



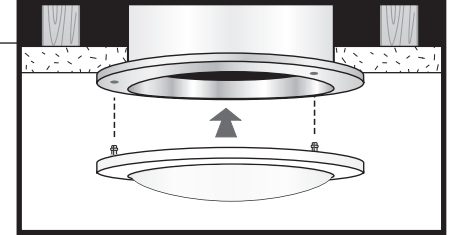
### Step 15

Place the diffuser (P) into the white powder coated trim ring (Q). Remove protective film from **both sides** of large lens (O) and place on top of diffuser.



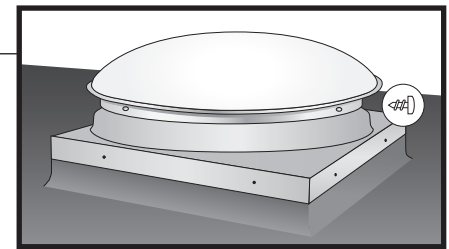
### Step 16

Line up the three steel pins of the white ceiling trim ring (Q) with the holes on the ceiling ring (L). Push up to snap in place.



### Step 17

Place the dome (A) on top of the flashing unit. Secure the dome to flashing by screwing in the (4) self-tapping Phillips head 1/4" screws (B) provided into the pre-drilled holes in the dome collar.



***This Natural Light Tubular Skylight has a 25 year warranty against manufacturers defects and deterioration.***

**IMPORTANT: PLEASE COMPLETE AND MAIL THE CARD BELOW AS SOON AS YOUR TUBULAR SKYLIGHT IS INSTALLED.** This card will serve as proof of your purchase, should you misplace your original invoice. The manufacturer warrants this product and its components to be free from defects in material and manufacturer's workmanship for a period of twenty five years from the date of installation. This warranty is subject to proper installation of the unit in accordance with the manufacturer's written installation instructions. The manufacturer will not be liable for any special, incidental or consequential damages in any way related to, or arising out of, defects in, or damage to, the tubular skylight. This warranty gives you specific legal rights, and you may have other rights which vary from state to state concerning exclusion or limitation of incidental or consequential damages.

You can register online at [www.nltubular.com](http://www.nltubular.com) or

fill out the form and mail it to: Natural Light Energy Systems • 10821 North 23rd Avenue • Phoenix, AZ 85029

## REGISTRATION

Natural Light Tubular Skylight Installer: \_\_\_\_\_

Customer Name: \_\_\_\_\_ Date of Purchase: \_\_\_\_\_

Address: \_\_\_\_\_

City: \_\_\_\_\_ State: \_\_\_\_\_ Zip: \_\_\_\_\_

Phone: \_\_\_\_\_ Email: \_\_\_\_\_

### Customer Survey

Are you satisfied with the performance?    Y    N

Were you satisfied with the installation job?    Y    N