

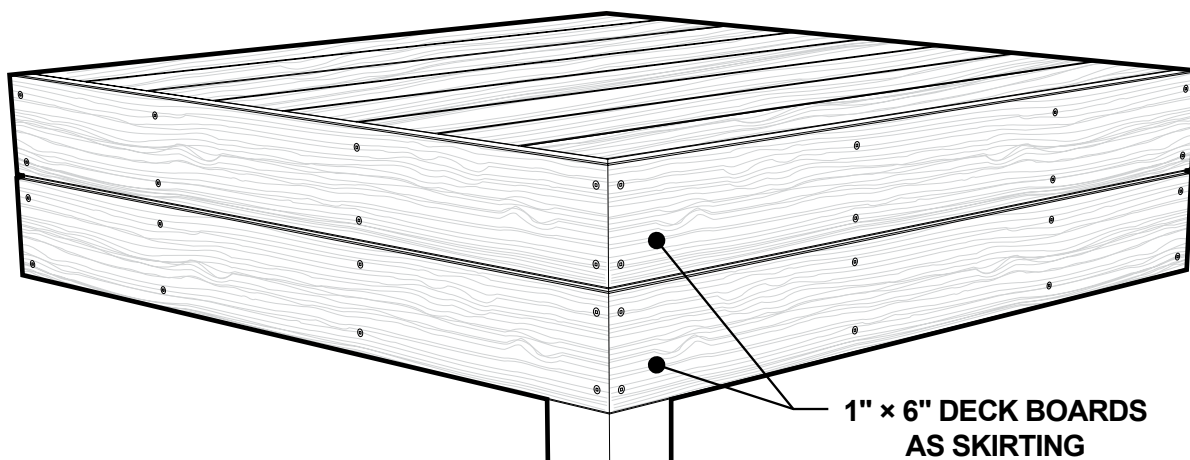
**IMPORTANT:** This document is intended as a supplement to the EverGrain Decking and Railing Instructions. Refer to the full document on [tamko.com](http://tamko.com) for all specifications on installing EverGrain decking products.

EverGrain® Envision™ 1" × 6" decking may be used as a skirting product to conceal the deck's structure. To install, apply the decking horizontally on the structure as shown below.

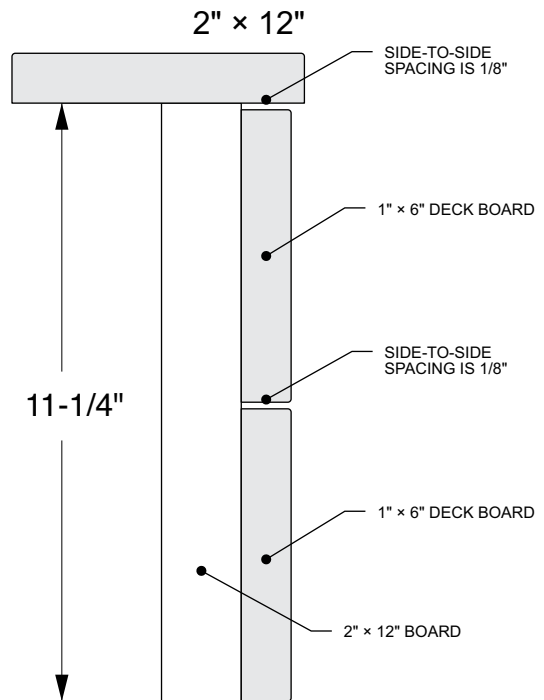
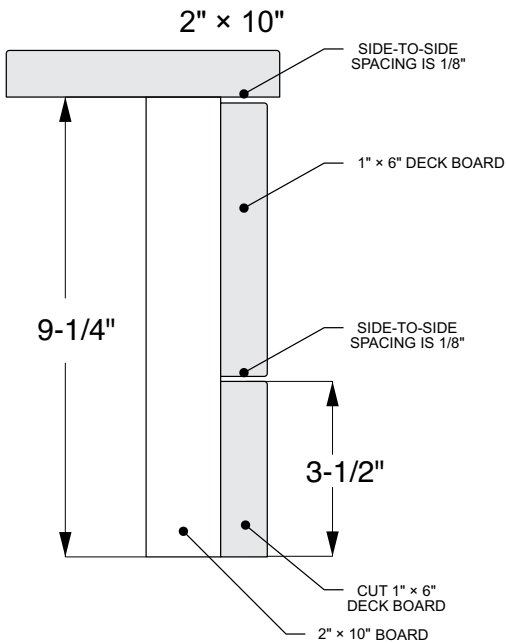
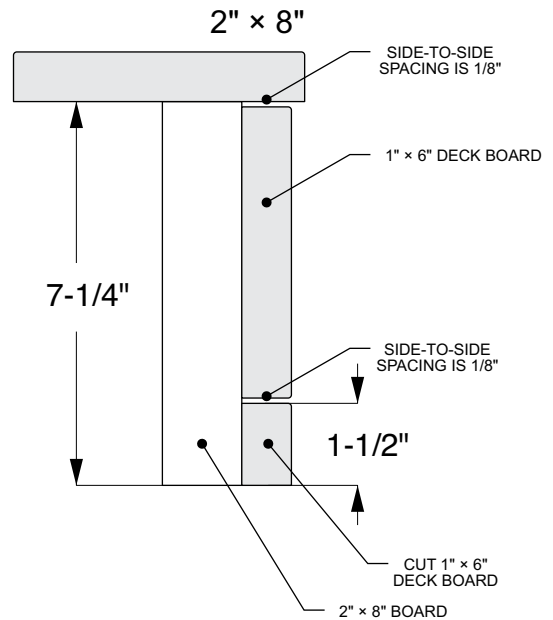
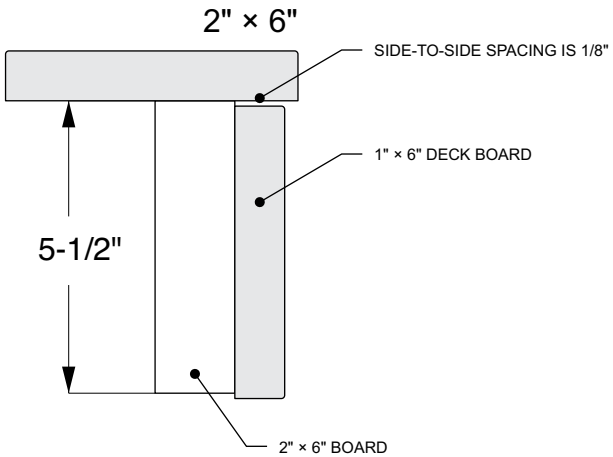
Like wood, pre-drilling the end/edges of the boards is required to avoid splitting or cracking. Pre-drilling is also required in cold weather. When installing in cold temperatures, a greater force is required to drive fasteners into the decking material. When pre-drilling, we recommend that the drill bit diameter be the same diameter as the fastener shank. Be careful not to overdrive the fastener; the head of the screw should be flush with the deck surface.

Decking must be attached using two fasteners every 16-inches at minimum on a solid surface. The required fastener must be a minimum #8 × 2-1/2" or longer wood/composite deck screw. Fasteners must be spaced at a minimum of 3/4" from the end of the board and 1" from the edge of the board.

Be sure to maintain proper board spacing to allow for contraction and expansion. Side-to-side spacing is a minimum of 1/8" and end-to-end spacing must be approximately 1/16" for every 20-degree increment of temperature difference between the temperature at the time of installation and the maximum expected summertime temperature. See the EverGrain Decking and Railing Installation Instructions for full details.



Depending on the size of lumber used in the deck's structure, it may be necessary to cut a deck board lengthwise to conceal the structure. See the specs shown below on how to install EverGrain Envision 1" × 6" decking on commonly used lumber sizes.



For a different look, EverGrain Envision 1" × 6" decking may also be installed vertically as shown in below. To install, cut boards to the desired length and apply vertically to the deck structure using the same methods described previously.

